

Main Features

- Modular design for flexible I/O expansion
- Three SIM cards + dual WWAN modules support
- 8 x 10/100/1000 Mbps 802.3af PoE ports
- Built-in u-blox NEO-M8N module, optional dead reckoning support
- Intel Atom® x7, 4c, 2.0GHz E3950
- Dual removable SATA 3.0 2.5" SSD/HDD
- iButton for driver ID identification
- Built-in CAN 2.0B. Optional OBDII function (SAE J1939/J1708)

Product Overview

MVS 2623-C8SK 8-CH PoE Mobile NVR increases safety and security for bus passenger transportation with high video resolution and 2 removable extensive storage HDD/SSD capacity. It connects up to 8 IP cameras + PoE function providing reliable and high quality video coverage around the bus.

MVS 2623-C8SK is a modular design, it is flexible to use other kinds of expansion boards to extend different I/O functions for different applications.

MVS 2623-C8SK leverages wireless networks to simplify fleet management with capabilities such as remote, real-time video monitoring. This remote capability keeps transit fleets in service around the clock.

Vehicle data integration and diagnostics are also carried out via CAN Bus and OBDII. MIL-STD-810G for shock and vibration is designed to operate in harsh environments. Optional internal back-up battery guards against any unexpected vehicle power failure or unstable vehicle power.

Specifications

CPU

- Intel Atom® x7, 4C, 2.0GHz E3950 (Apollo Lake)

Memory

- 204-Pin DDR3L SO-DMIM socket support 1600MHz up to 8GB, default 2GB industrial grade memory

Storage

- 2 x 2.5" SATA 3.0 SSD/HDD, removable & hot swappable (optional lockable storage available)

Expansion

- 1 x Full size mini-PCIe socket (USB 2.0)
- 1 x Full size mini-PCIe socket (USB 2.0 + PCIe)
- 1 x Half size mini-PCIe socket (USB 2.0 + PCIe)

GNSS and On Board Sensor

- 1 x Default U-blox NEO-M8N GNSS module for GPS/Glonass/QZSS/Galileo/Beidou
- Optional modules with Dead Reckoning available
- Built-in G-sensor

Power over Ethernet

- 8-Port RJ45 for 10/100/1000 Mbps PoE IEEE 802.3af conformity, total 60W

Security

- TPM 2.0

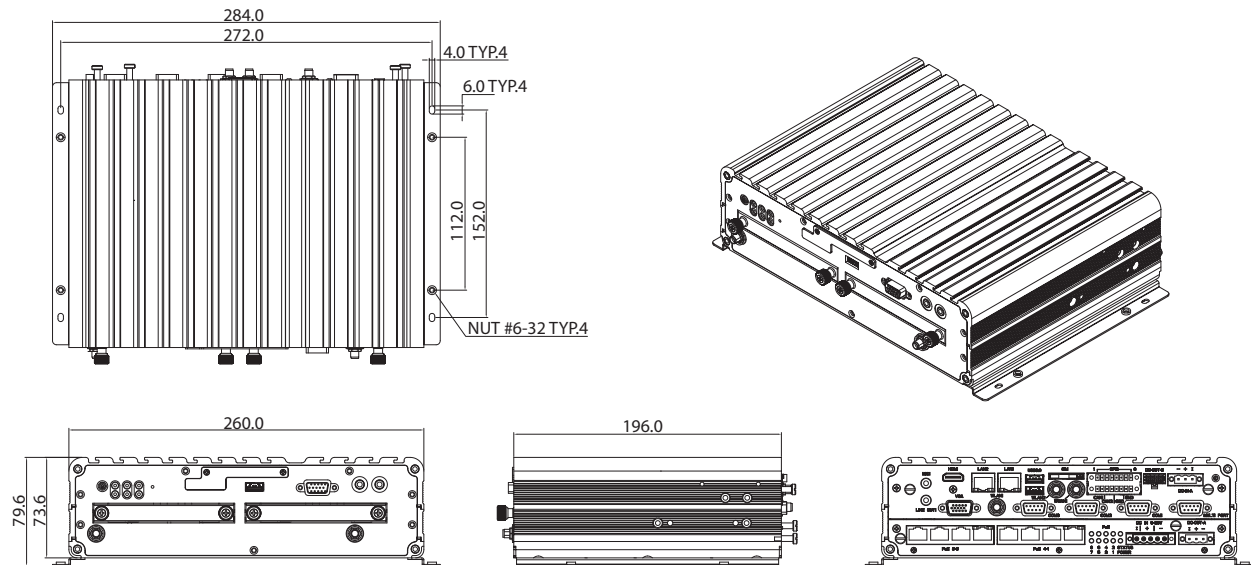
I/O Interface-Front

- 6 x LED indicators for power/storage/WLAN/WWAN/status/health
- 1 x Reset button
- 1 x USB type A USB 2.0 port
- 2 x Phone jacks 3.5mm for 1 x Mic-in and 1 x Line-out
- 1 x Externally accessible SIM card sockets
- 2 x Antenna holes for WWAN/WLAN/BT/GPS

I/O Interface-Rear

- 8 x RJ45 10/100/1000 Mbps PoE ports with LED
- 2 x RJ45 10/100/1000 Intel® Fast Ethernet with LED
- 1 x 9~36VDC input with ignition and 40W typical power consumption
- 2 x USB type A USB 3.0 port
- 2 x Phone jacks 3.5mm for 1 x Mic-in and 1 x Line-out
- 1 x DB-15 VGA, resolution up to 2560 x 1600 @60Hz
- 1 x HDMI port, resolution up to 2560 x 1600 @60Hz
- 2 x DB-9 RS-232
- 1 x DB-9 RS-232/422/485 (Ri/5V/12V selectable)
- 1 x 12VDC output (2A) + 5M Bus + 2 x MDI + power button
- 1 x DB9 connector for optional DR signal input, 2 x MDO and iButton
- 1 x 16-Pin terminal block connector
 - 1 x CAN Bus 2.0B (on board)
 - 1 x OBDII from optional VIOB-CAN-03 module (SAE J1939)
 - 1 x CAN Bus 2.0B from optional VIOB-CAN-03 module

Dimension Drawing



- 8 x Programmable GPIO
 - (4 x Digital inputs in default)
 - Input voltage (source type): 5VDC TTL (default)
 - Input voltage (external type): 3 ~ 12VDC
 - (4 x Digital outputs in default)
 - Digital output (source type): 5VDC TTL (default), max current: 20mA
 - Digital output (external type): 3 ~ 24VDC, max current: 150mA
- 1 x Externally accessible SIM card socket and 1x internal SIM card socket selectable

Power Management

- Selectable boot-up & shut-down voltage for low power protection by software. Setting 8-level power on/ off delay time by software. Support S3/S4 suspend mode

Rechargeable Battery (option)

- Lithium-ion polymer
- Nominal capacity 1100mAh
- Maximum charge current 1.0CmA

Operating System

- Windows 10 64-bit only, Linux YOCTO

Dimensions

- 260mm (W) x 196mm (D) x 79.6mm (H) (10.24" x 7.72" x 3.13")
- 4kg

Environment

- Operating temperatures:
 - 30°C~70°C (w/ industrial SSD) with air flow
- Storage temperatures: -40°C~80°C
- Relative humidity: 10% to 90% (non-condensing)

- Vibration (random):
 - 1.5g@5~500 Hz (in operation, HDD), 2g@5~500 Hz (in operation, SSD)
- Vibration (SSD/HDD):
 - Operating: MIL-STD-810G, Method 514.6, Category 4, common carrier US highway truck vibration exposure
 - Storage: MIL-STD-810G, Method 514.6, Category 24, minimum integrity test
- Shock (SSD/HDD):
 - Operating: MIL-STD-810G, Method 516.6, Procedure I, functional shock=20g
 - Non-operating: MIL-STD-810G, Method 516.6, Procedure V, crash hazard shock test=75g

Certifications

- CE approval, FCC Class A, E13 mark

Ordering Information

• MVS 2623-C8SK (P/N: 10VS0262300X0)

Intel Atom® quad core E3950 (Apollo-lake) 2.0GHz, 2GB DDR3L industrial grade SO-DIMM, 8 x GbE PoE, 2 x GbE, VGA/HDMI output, 2 x RS232, 1 x RS-232/422/485, 2 x USB 3.0, 1 x USB 2.0, 12VDC output, 1 x CAN

• Battery Kit (P/N: 88VS0560303X0)

Rechargeable battery, Lithium-ion, capacity 1100mAh