

IVS-110-AL

Vehicle Fleet Management System

Preliminary

Features

- Intel® Apollo Lake processor
- Dual SIM slot
- Optional 3G/Wi-Fi
- 1 x Isolated RS-232/422/485
- 16 x DI/DO
- 1 x HDMI (lockable), 1 x VGA
- Built-in GPS function
- E-Mark certification
- Built-in OBD-II/CAN 2.0
- IP4X protection



Specifications

Model	IVS-110-AL	
Chassis	Color	Blue C
	Dimensions (WxHxD) (mm)	241 x 59 x 160 (TBD)
	System Fan	Fanless
	Chassis Construction	Extruded aluminum alloy
Motherboard	CPU	Intel® Atom™ x5 E3930 Processor (dual-core 1.8GHz, 6.5W TDP)
	Chipset	SoC
	System Memory	2 x 204-pin DDR3L SO-DIMM. 4GB pre-installed (system max. 16GB)
Storage	Hard Drive	1 x 2.5" SATA 6Gb/s HDD/SSD drive bay
	mSATA / eMMC	1 x mSATA (PCIe Mini Slot) 1 x eMMC 5.0 8G (reserved)
Communication	WLAN	PCIe Mini Wi-Fi 802.11 a/b/g/n/ac (optional)
	Bluetooth	BT 4.0/3.0+HS (combo with WLAN optional module)
	WWAN	PCIe Mini WCDMA/HSDPA/HSUPA (optional)
	GPS	On board GPS
I/O Interfaces	USB 3.0	4
	Ethernet	1 x RJ-45 PCIe GbE by Intel® I210-IT
	COM Port	1 x RS-232/422/485 (BIOS configuration)
	Digital I/O	1 x Printer port 16-bit digital I/O (8-bit input / 8-bit output)
	CAN-bus/OBD-II	1 x DB9 OBD-II/J1939
	Display	1 x VGA, 1 x HDMI
	Resolution	VGA : Up to 3840 x 2160 @30Hz HDMI : Up to 3840 x 2160 @30Hz
	Audio	1 x Line out
	SIM	2 x on board SIM card slot
	TPM	1 x 20-pin header
Expansions	PCIe Mini	1 x Full/Half-size PCIe Mini slot (reserved for WWAN) 1 x Full/Half-size PCIe Mini slot (reserved for mSATA or E-window) 1 x Half-size PCIe Mini slot (reserved for WLAN)
	Power Input	Cigarette lighter power cable: 9 V~ 36 V DC
	Consumption	TBD
Reliability	Mounting	Wall mount / VESA 100
	Operating Temperature	-30°C ~ +70°C with air flow
	Storage Temperature	-40°C ~ 80°C
	Humidity	10% ~ 95%, non-condensing
	Operating Shock	50 Grms, Half-sine 11 ms Duration (w/ SSD, according to IEC60068-2-27)
	Operating Vibration	5 Grms, 5-500 Hz, 3 Axes(w/ SSD, according to IEC60068-2-64) MIL-STD-810F 514.5C-2 (with SSD)
	Weight (Net/Gross)	TBD
	Safety/EMC	CE/FCC/E-Mark/IP rating : IP 4X compliant
OS	Supported OS	Microsoft® Windows 10 IoT Enterprise, Linux Yocto

Fleet Management Tracking System

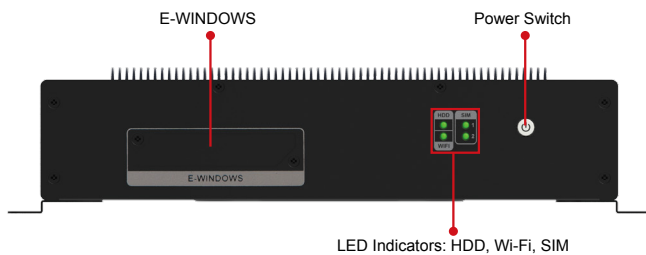


Vehicle Condition Control

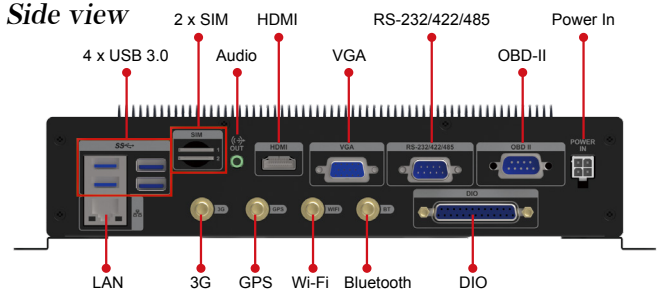


Fully Integrated I/O

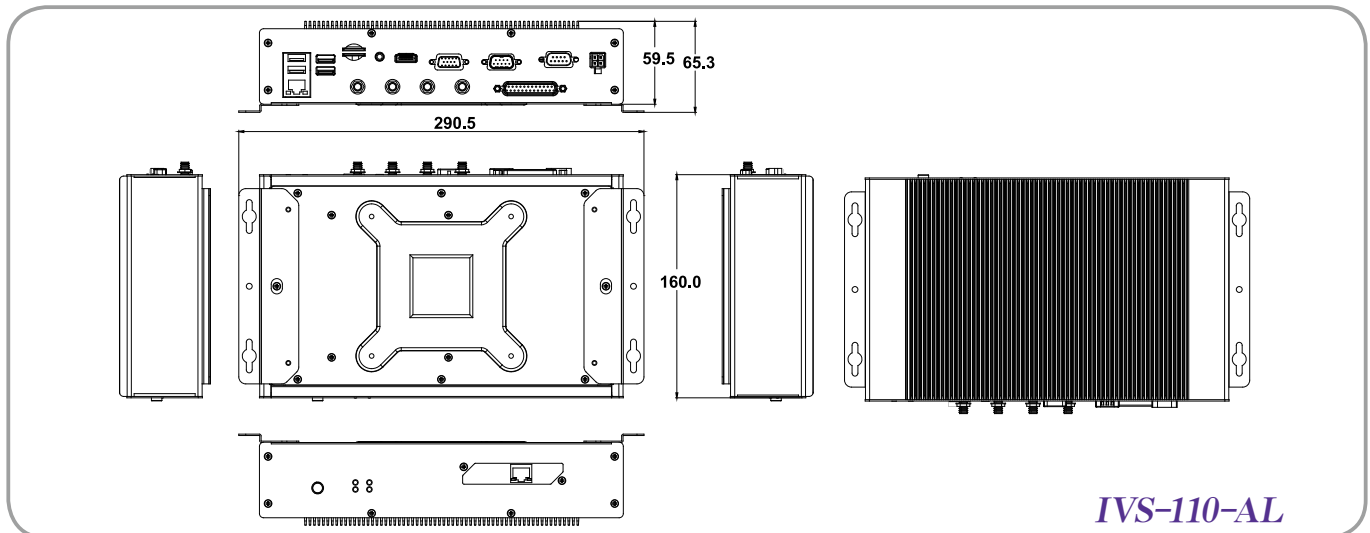
Front view



Side view



Dimensions (Unit: mm)



IVS-110-AL

Ordering Information

Part No.	Description
IVS-110-AL-E/4G-R10	Fanless embedded system with Intel® Atom™ x5 Processor E3930 dual-core 1.8GHz with 4GB DDR3L pre-installed memory, on board GPS, HDMI, VGA, one 2.5" removable SATA HDD bay, RoHs.