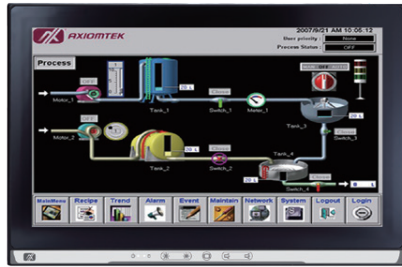


# GOT5153W-845 NEW

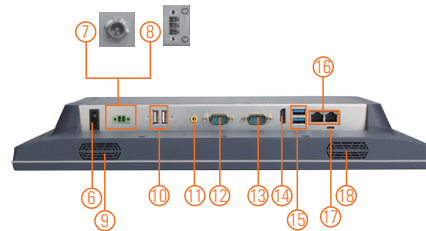
15.6" WXGA TFT Fanless Touch Panel Computer with Intel® Celeron® Processor N3060

## Features

- 15.6" WXGA wide screen TFT LCD display with LED backlight
- 15.6" projected capacitive touch or 5-wire flat resistive touch
- Fanless design with Intel® Celeron® processor N3060
- 2.5" SATA HDD or mSATA
- 2 Gigabit LAN, 4 USB, 2 COM ports and speakers
- IP65 front bezel and IPX1 full enclosure
- Supports optional wall mount/VESA arm/desktop stand
- Supports optional RFID



1. Power LED
2. HDD LED
3. Brightness adjust +/-
4. Display on/off
5. Volume adjust



- |                                    |                            |                              |
|------------------------------------|----------------------------|------------------------------|
| 6. Power switch (ATX)              | 11. Audio (Line-out)       | 16. Ethernet (RJ-45)         |
| 7. Power Input connector (Screw)   | 12. COM 1 (RS-232/422/485) | 17. AT/ATX selectable switch |
| 8. Power Input connector (Phoenix) | 13. COM 2 (RS-232)         | 18. Speaker                  |
| 9. Speaker                         | 14. HDMI                   |                              |
| 10. USB 2.0 x 2                    | 15. USB 3.0 x 2            |                              |



## Introduction

The GOT5153W-845 is a 15.6" Intel® Celeron®-based fanless touch panel computer. In response to market demand, this panel computer is a cost effective solution. It adopts a modern, sleek and fanless design and is equipped with a 15.6" TFT LCD as well as Intel® Celeron® processor N3060 2 cores up to 2.48 GHz. For wireless network connection, the GOT5153W-845 offers 2 PCI Express Mini Card slots. By just plugging in a mini card WLAN card, customers can have instant access to wireless LAN/GPRS/GSM/4G environments. Besides, it provides two types of power input. One is DC power input (9 ~ 36VDC) with terminal block connector, and another is AC power adapter with screw type connector.

### Slim & Lightweight Design

The GOT5153W-845 is slim and lightweight which make it fit for limited space installation.

### Built-in Internal WLAN Antenna

The GOT5153W-845 provides 2 PCI Express Mini Card slots and a built-in WLAN antenna for wireless network connections. By simply plugging in the wireless LAN card, customers can use the GOT5153W-845 in wireless LAN/GPRS/GPS/4G environment.

### Support Front Membrane Keys (optional)

The GOT5153W-845 provides 5 optional membrane keys in front of system, people can adjust the system display, volume and brightness.

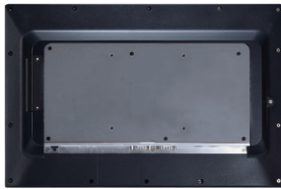
## Specifications

Front Bezel	IP65, NEMA 4 rugged protection, plastic front bezel	
LCD Panel	Display Type	15.6" WXGA TFT LCD with LED backlight
	Brightness (cd/m <sup>2</sup> )	300 nits
	Resolution	1366 x 768
Main System	CPU	Intel® Celeron® processor N3060 2 cores (up to 2.48 GHz)
	System Memory	1 x 204-pin DDR3L-1600 MHz SO-DIMM, up to 8GB
	BIOS	AMI UEFI BIOS
	Storage	1 x mSATA 1 x 2.5" SATA HDD (AC version only)
	Watchdog Timer	255 levels, 0 ~ 255 sec.
	Onboard Graphics	Integrated Intel® HD GFX

## Specifications

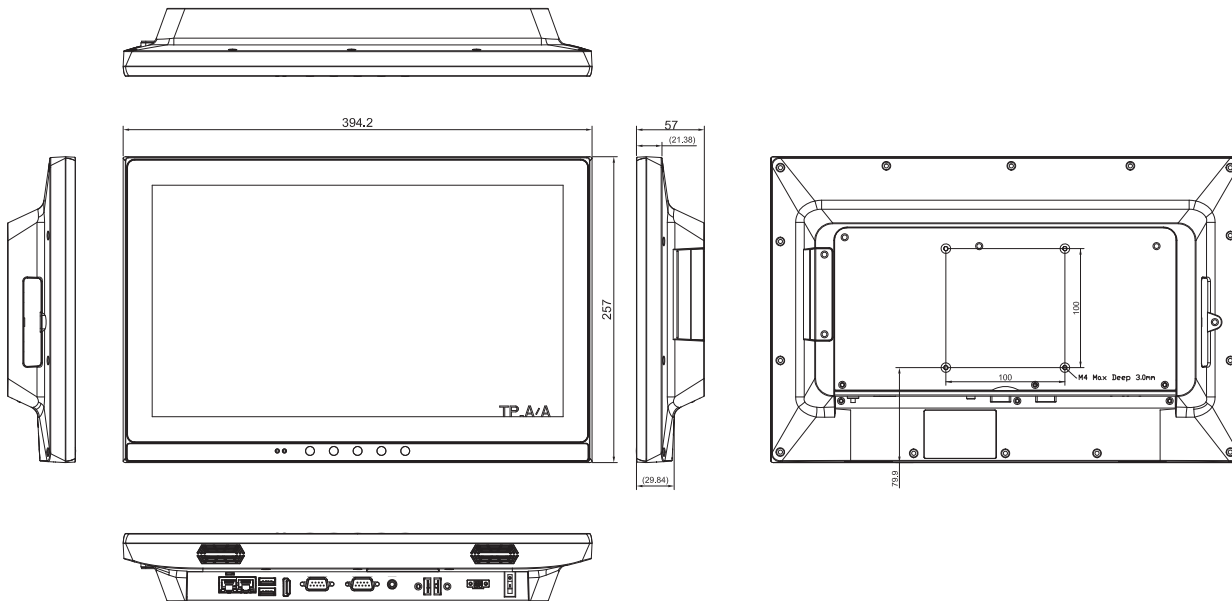
I/O Connector	1 x RS-232/422/485 (default RS-232, COM1) 1 x RS-232 (COM2) 1 x AT/ATX mode selection switch 1 x Switch for power on/off 2 x USB 2.0 2 x USB 3.0 1 x HDMI 1 x Audio (Line-out) 2 x 10/100/1000 Mbps Ethernet (Intel® i211AT)
Expansion Interface	1 x full-size PCI Express Mini Card with mSATA slot 1 x full-size PCI Express Mini Card with SIM slot
Touchscreen	Projected capacitive multi-touch 5-wire flat resistive touch
Power Supply	1. DC version: 9 ~ 36 VDC with over-current protection fuse 2. AC version: 100 ~ 240 V AC-DC, 60W power adapter
Power Consumption	30 W
Dimensions	394.2 mm (15.53") (W) x 57 mm (2.25") (D) x 257.2 mm (10.13") (H)
Packing Dimensions	510 mm (20.09") x 190 mm (7.48") x 540 mm (21.26")
Weight (net/gross)	3.0 kg (6.61 lb)/4.5 kg (9.92 lb)
Environment	Operating temperature: 0°C ~ +50°C (+32°F ~ +122°F) with W.T. DRAM/SSD Relative humidity: 20% ~ 90% @ 40°C; non-condensing Operation vibration: 2G, 5 ~ 500Hz, random for CFast™
Certificate	CE

\* W.T.: Wide Temperature. All W.T. supported products have to be sorted by Axiomtek.



▲ Rear view

## Dimensions



## Ordering Information

GOT5153W-845-PCT-J	15.6" WXGA fanless touch panel computer with Intel® Celeron® processor N3060, projected capacitive multi-touch screen, AC-DC 60W power adapter (screw type connector)
GOT5153W-845-FR-J	15.6" WXGA fanless touch panel computer with Intel® Celeron® processor N3060, 5-wire flat resistive touch screen, AC-DC 60W power adapter (screw type connector)
GOT5153W-845-PCT-DC	15.6" WXGA fanless touch panel computer with Intel® Celeron® processor N3060, projected capacitive multi-touch screen and 9 ~ 36 VDC power input (terminal block connector)
GOT5153W-845-FR-DC	15.6" WXGA fanless touch panel computer with Intel® Celeron® processor N3060, 5-wire flat resistive touch screen and 9 ~ 36 VDC power input (terminal block connector)

## Optional EOS Installation

WES7  
WES8 (64-bit)

## Optional OS Installation

Windows® 7  
Windows® 8.1 (64-bit)  
Windows® 10

