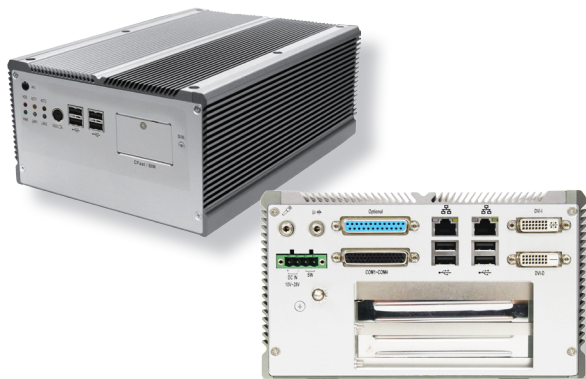


FPC-7513/7512

Robust Box PC with 1st Generation Intel® Core™ i7/i5/Celeron® Processor Platform



System

CPU	1 st Generation Intel® Core™ i7/i5/Celeron® Processors in PGA988 socket
Memory	2 x 204-pin DDR3 SO-DIMM sockets, supporting 800/1066MHz SDRAM up to 8GB
Chipset	Intel® QM57
Graphics	Integrated Intel® HD Graphics controller
ATA	2 x Serial ATA ports with 300MB/s HDD transfer rate
LAN Chipset	1 x Intel® WG82583V GbE controller 1 x Intel® WG82578DM GbE PHY w/ iAMT
Watchdog Timer	1~255 levels reset

I/O

Serial Port	4 x RS-232 ports via one DB-44 female connector (COM4 is isolated RS-232/422/485 configurable.)
USB Port	8 x USB 2.0 ports
LAN	2 x RJ-45 ports for GbE
Video Port	1 x DVI-I female connector for digital video output 1 x DVI-D female connector for digital video output
Selectable Port	LPT by default, can be changed to DIO 1 x 16-bit digital I/O, 8-in/8-out SPP/EPP/ECP mode selectable for LPT
Audio	Mic-in/Line-out (6W pre-amplified)
KB/MS	1 x 6-pin Mini-DIN for Keyboard and Mouse
Expansion Bus	2 x PCIe x8 slots (for FPC-7512) 2 x PCI slots (for FPC-7513) 1 x Mini-card socket interconnected with SIM card socket for optional Wi-Fi or HSUPA module 1 x SIM socket (outside accessible)

Features

- Fanless Design
- Wide Range DC Power Input (10 ~ 28V)
- Serial Port with 5V/12V Power Output (Except COM4)
- RS-485 Auto-flow supported
- Various Video Interfaces (DVI-I + DVI-D) supported
- Outside Accessible CFast and SIM Slot supported
- Optional Wi-Fi or HSUPA Wireless Connection supported
- iAMT supported
- RAID 0, 1 supported
- Rugged Design for Shock/Vibration Protection
- Easy Installation/Maintenance
- Intel® SSD compatible

Environmental

Operating Temp.	-20 ~ 55°C (-4 ~ 131°F), ambient w/ air flow
Storage Temp.	-40 ~ 85°C (-40 ~ 185°F)
Operating Humidity	10 ~ 95% @ 55°C (non-condensing)
Vibration	3 Grms/5~500Hz/random operation
Shock	Operating 40G (11ms), Non-operating 60G with CFast/SSD

Qualification

Certification	CE, FCC Class A
---------------	-----------------

Power Requirement

Power Input	DC 10~28V input (w/ 4-pin DC input terminal block, combining remote power on/off switch)
Power Consumption	Max. 50W (w/o I/O card)

Storage

Type	1 or 2 x 2.5" drive bay(s) for HDD/SSD w/ 9.5mm height limit 1 x CFast socket, can be outside accessible
------	---

Mechanical

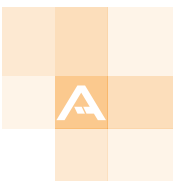
Construction	Aluminum alloy
Mounting	Wall-mount
Weight	4.5 kg (9.92 lb)
Dimensions (W x H x D)	195 x 110 x 268 mm (7.68" x 4.33" x 10.55")

OS Support

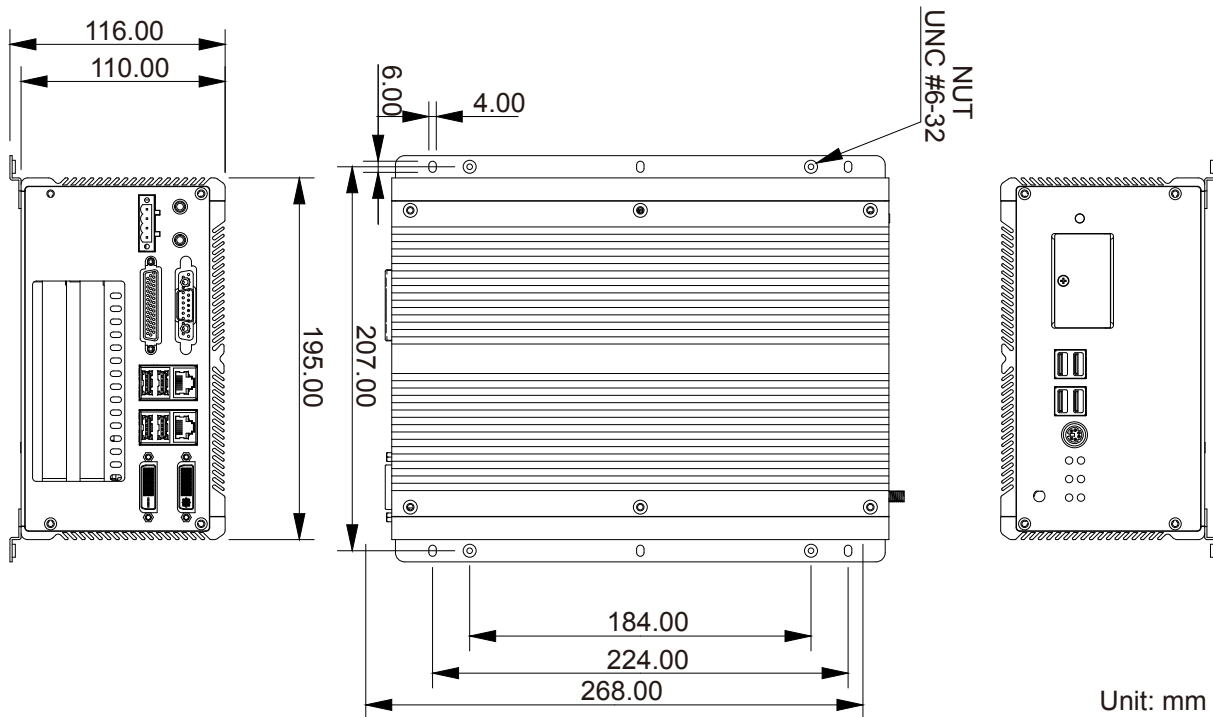
XPe / XP Pro / W7 Pro / WS7E

Ordering Information

FPC-7512	Barebone system w/ 2 x PCIe x8 slots and w/o storage device, CPU, memory
FPC-7513	Barebone system w/ 2 x PCI slots and w/o storage device, CPU, memory



Dimensions



Optional Accessories

PAC-B120W-FSP 19V/6.32A 120W AC/DC adapter kit



CBL-7100-COM 4 x COM ports converter cable



WMK-7000 Wall-mount kit for FPC-7XXX Series



Optional Configuration (CTOS* Kit)

80GB SSD Intel® 2.5" 80GB SATAIII SSD kit



MK-3C-2G-1 DDR3-1600 2GB SDRAM DIMM1 kit

MK-3C-2G-2 DDR3-1600 2GB SDRAM DIMM2 kit

MK-3C-4G-1 DDR3-1600 4GB SDRAM DIMM1 kit

MK-3C-4G-2 DDR3-1600 4GB SDRAM DIMM2 kit



HSPA-SI1400 HSUPA 3.75G module kit & internal wiring



WiFi-AT2500 Atheros AR9462 Wi-Fi module w/ 30cm internal wiring



ANT-H11 1 x 2dBi HSUPA antenna

ANT-D11 1 x Wi-Fi dual-band 2.4G/5G antenna



Core™ i7-620M Intel® Core™ i7-620M 2.66GHz w/ 4M cache

Core™ i5-520M Intel® Core™ i5-520M 2.4GHz w/ 3M cache

Celeron® P4500 Intel® Celeron® Processor P4500 dual-core 1.86GHz w/ 2M cache



*CTOS means Configure-to-Order Service.