

EBC-3300

Embedded Chassis for IEI thin Mini-ITX SBC

New



Features

- Designs for thin type Mini-ITX SBC with single voltage input
- Total height 42mm for space critical application
- One 2.5" hard drive capacity
- Flexible E-Window tool kit support

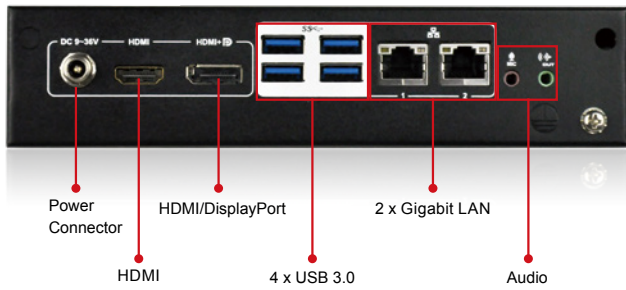


Specifications

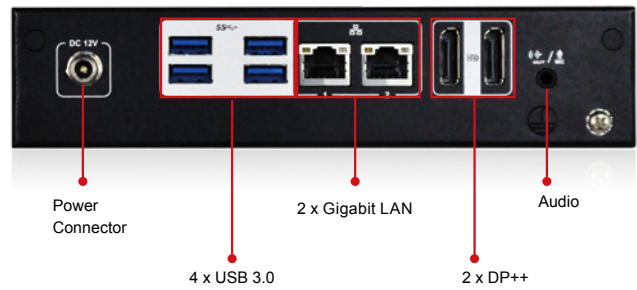
| Model Name | | EBC-3300-R10 | | |
|----------------|-----------------------|---------------------------------------------------------------------------|------------------------------------------------------|----------------------------------------------------------------------|
| | | EBC-3300-ULT3-R10 | EBC-3300-AL-R10 | EBC-3300-BW-R10 |
| Platform | | Case only | Case only | Case only |
| Chassis | Color | Black | Black | Black |
| | Dimension(WxDxH) | 190 x 190 x 43 | 190 x 190 x 43 | 190 x 190 x 43 |
| | System Fan | -- | -- | -- |
| | Chassis Construction | Heavy duty metal | Heavy duty metal | Heavy duty metal |
| Motherboard | Motherboard | tKINO-ULT3 | tKINO-AL | tKINO-BW |
| | SBC Size (mm) | Mini-ITX (170 x 170) | Mini-ITX (170 x 170) | Mini-ITX (170 x 170) |
| | CPU | Refer to SBC | Refer to SBC | Refer to SBC |
| | System Memory | 2 x DDR4 2133 SO-DIMM (system Max : 8GB) | 1 x DDR3L 1333/1066 SO-DIMM (system Max : 8GB) | 1 x DDR3L 1333/1066 SO-DIMM (system Max : 8GB) |
| Storage | Hard Drive | 1 x 2.5" SATA 6Gb/s HDD/SSD Bay | | |
| | SD Card | N/A | 1 | 1 |
| | mSATA / M.2 | 1 (Colay MPCIE2) | 1 (M.2 B-key) | 1 |
| I/O interfaces | PS2 (KB/MS) | pin header | pin header | pin header |
| | USB 3.0 | 4 | 4 | 4 |
| | USB 2.0 | pin header | pin header | pin header |
| | Ethernet | 2 | 2 | 2 |
| | RS-232/422/485 | 2 (pin header) | 2 (pin header) | 2 (pin header) |
| | RS-232 | 4 (pin header) | 4 (pin header) | 4 (pin header) |
| | DIO | 8-bit (pin header) | 8-bit (pin header) | 8-bit (pin header) |
| | Display | 1 x HDMI 1 x DP/HDMI | 2 x DP++ | 1 x VGA 1 x DP/HDMI |
| | Resolution | 1 x HDMI 1.4 (up to 4096x2160@24Hz) 1 x HDMI/DP (up to 4096x2160@24Hz) | 2 x DP++ (up to 4096x2160@60Hz) | 1 x VGA (up to 1920x1200@60Hz) 1 x HDMI/DP (up to 3840x2160@30Hz) |
| | Audio | Realtek ALC662 2 x Audio jacks (line-out, mic-in) | Realtek ALC269 1 x Audio jacks (line-out, mic-in) | Realtek ALC662 1 x Audio jacks (line-out, mic-in) |
| | Wireless | Refer to SBC | Refer to SBC | Refer to SBC |
| | Expansions | PCIe Mini | 2 x Full-size PCIe Mini | 1 x Full-size PCIe Mini |
| Others | | N/A | 1 x M.2 B-key (SATA/USB2) | N/A |
| Power | Power Input | 9~36V | 12V | 9~30V |
| | Power Consumption | 12V@4.68A | 12V@2.58A | 12V@1.61A |
| | Others | 1 x Power switch | 1 x Power switch | 1 x Power switch |
| Reliability | Mounting | VESA 100, wall mount | | |
| | Operating Temperature | -10 ~ 50 °C with air flow (SSD), 10% ~ 95%, non-condensing | | |
| | Storage Temperature | -20°C ~ 60°C | | |
| | Operating Shock | Half-sine wave shock 3G, 11ms, 3 shocks per axis | | |
| | Operation Vibration | MIL-STD-810G 514.5C-1 (with SSD) | | |
| | Weight (Net/Gross) | 1 kg/ 2kg | | |

Fully Integrated I/O

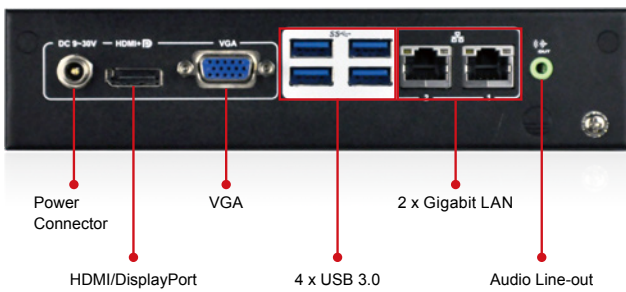
●EBC-3300-ULT3-R10 Rear I/O



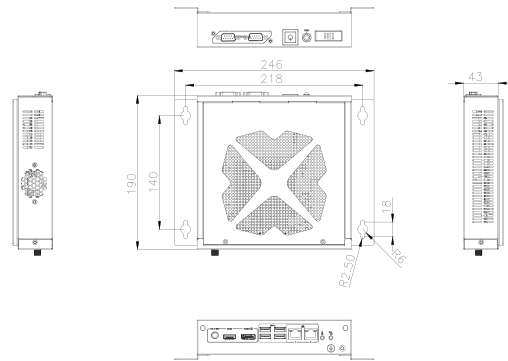
●EBC-3300-AL-R10 Rear I/O



●EBC-3300-BW-R10 Rear I/O

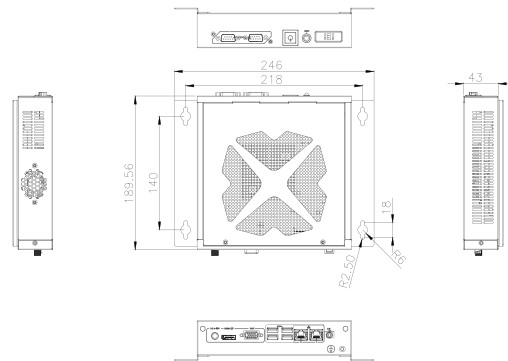
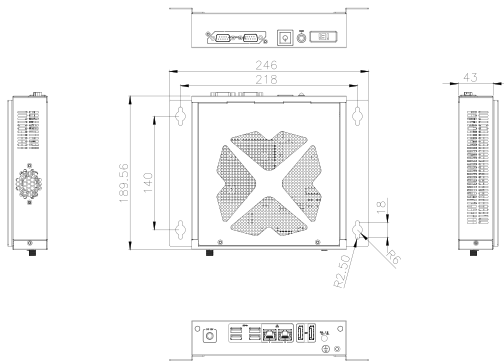


EBC-3300-ULT3-R10 Dimensions (Unit: mm)



EBC-3300-AL-R10 Dimensions (Unit: mm)

EBC-3300-BW-R10 Dimensions (Unit: mm)



Ordering Information

| Part No. | Description |
|-------------------|-------------------------------------------------------------------------------------------------------------------------------|
| EBC-3300-ULT3-R10 | Embedded chassis for tKINO-ULT3 with one 2.5" SATA hard drive bay, IO bracket, one LED cable, one power switch cable and RoHS |
| EBC-3300-AL-R10 | Embedded chassis for tKINO-AL with one 2.5" SATA hard drive bay, IO bracket, one LED cable, one power switch cable and RoHS |
| EBC-3300-BW-R10 | Embedded chassis for tKINO-BW with one 2.5" SATA hard drive bay, IO bracket, one LED cable, one power switch cable and RoHS |

Options

| Part No. | Description |
|------------------------|--------------------------------------------------------------------------------------------------------------------------------------------------------|
| E-MPCIE-3G-R10 | PCIe mini card supports 3G WWAN Module, with PMS 130C I/O bracket, RF antenna 300mm cable and GSM antenna cable, R10 |
| 19FR123510BH-000001-RS | Fan Module, FAN, +12V, 3PIN, 31100-000409-RS, STANDARD, R123510BHAC6M5AR, CABLE L:300mm, MOLEX 5051-03P P=2.54 (For EBC-3300-ULT3-R10) |
| 19FR123510BH-000002-RS | Fan Module, FAN, +12V, 4PIN, 31100-000410-RS, STANDARD, R123510BHAF6M6AR, CABLE L:300mm, MOLEX 5051-04P P=2.54 (For EBC-3300-AL-R10 & EBC-3300-BW-R10) |

Packing List

| | | |
|---------|----------------------------|---------------|
| 1 x QIG | 1 x Wall mount bracket kit | 1 x Screw set |
|---------|----------------------------|---------------|