

UNO-3283G/3285G

Intel® Core™ i7/ i5/ i3 Automation Computer with 2/4 PCI(e) expansion slots, 2 x GbE, 2 x mPCIe, HDMI, DVI-I

NEW



UNO-3283G

UNO-3285G



Features

- Intel® 6th Gen Core™ i7-6822EQ/ i5-6442EQ/ i3-6102E Quad Core Processors, up to 2.0 GHz with 8GB DDR4 Memory
- 2 x GbE, 6 x USB 3.0, 2 x RS-232/422/485, 2 x 232 (pin header), 1 x DVI-I, 1 x HDMI
- UNO-3283G: 1 x PCIe x16, 1x PCI, 2 x mPCIe (2 x full), 1x CFast slot, 1 x mSATA slot (optional)
- UNO-3285G: 2 x PCIe x8, 2 x PCI, 2 x mPCIe (2 x full), 1x CFast, slot, 1 x mSATA slot (optional)
- Dual Hot-Swappable storage with thumb screw support for RAID 0/1
- Supports Fieldbus Protocol by iDoor Technology
- Dual power input for power redundancy
- Optional ECC RAM with selected RAM module
- Front LED indicator design for monitoring system status

Introduction

The high-performance fanless control cabinet PC UNO-3283G/ 3285G equipped with a Intel® 6th Gen Core™ i7/ i5/ i3 processor and QM170 PCH chipset, rich I/O including 6 USB 3.0, 2 GigaLAN, 2 RS-232/422/485, and 1 RS-232 (pin header) ports, as well as DVI-I and HDMI display interfaces, UNO-3283G/ 3285G is designed to deliver high-performance computing and maximum flexibility for industrial automation applications. The provision of two hot-swappable HDD/SSD bays and up to 5 expansion slots (2 x PCIe x8, 2 x PCI) supports the integration of modular peripherals and ensures flexible installation in diverse cabinet configurations. In addition to an exchangeable RTC battery that can be accessed via the removable top cover for convenient maintenance, the system features dual power inputs that ensure a stable power supply.

Specifications

General

- Certification** CE, UL, CCC, FCC, BSMI
- Dimensions (W x D x H)** UNO-3283G: 142 x 238 x 177 mm (5.6" x 9.4" x 7")
UNO-3285G: 182 x 238 x 177 mm (7.2" x 9.4" x 7")
Regular Size
- Form Factor** Wall mount, Stand mount, Enclosure mount
- Mounting** Wall mount, Stand mount, Enclosure mount
- Weight (Net)** 4kg (2.2 lbs)/ 4.5kg (9.9 lbs)
- Power Requirements** 10-36 V_{DC}
- Power Consumption** 30W (Typical @ 24V); 90W (Max. @ 24V)
- OS Support** WIN7/8/10, WEST7, Win10 Ent. LTSB, AdvLinuxTU

System Hardware

- BIOS** AMI UEFI 128Mbit Flash BIOS
- Watchdog Timer** Programmable 256 levels timer interval, from 1 to 255 sec (Timebase 100ms of trigger timer in AP mode is available)
- Processor** UNO-3283G: Intel® Core™ i7-6822EQ 2.0GHz Quad Core L2
Intel® Core™ i5-6442EQ 1.9GHz Quad Core L2
Intel® Core™ i3-6102E 1.9GHz Quad Core L2
UNO-3285G: Intel® Core™ i7-6822EQ 2.0GHz Quad Core L2
- System Chip** Integrated Intel QM170
- Memory** Built-in 8GB DDR4 2133 MHz, two socket support up to 32GB (Optional ECC RAM with selected RAM module)
- Graphics Engine** Intel HD Graphics 100 series
- Ethernet** LAN A: Intel® i210-LM GbE, Intel® AMT, IEEE802.1AS, 802.3az
LAN B: Intel® i219-IT GbE, IEEE802.1AS, 802.3az
- LED Indicators** LEDs for Power, LAN, Tx/Rx, battery and HDD
- Storage** One mSATA slot; One CFast slot
Two built-in 2.5" SATA HDD brackets with support for RAID 0/1. (Compatible with 9.5mm height HDD)
- Expansion** UNO-3283G: 2 Full-size mPCIe, 1 x PCIe16, 1 x PCI (Optional by project: 2 x PCIe8 or 2 x PCI)
UNO-3285G: 2 Full-size mPCIe 2 x PCIe8, 2 x PCI (Optional by project: 4 x PCI)

I/O Interfaces

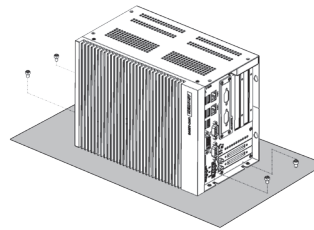
- Serial Ports** 2 x RS-232/422/485 with DB9 connectors, automatic RS-485 data flow control, 2 x RS-232 (optional pin header)
- LAN Ports** 2 x RJ45, 10/100/1000 Mbps IEEE 802.3u 1000Base-T Fast Ethernet
- USB Ports** 6 x USB 3.0 Ports
- Displays** 1 x DVI-I, supports 1920 x 1080 @ 60Hz 24bpp
1 x HDMI 1.4a, supports 1920 x 1080 @ 24Hz 24bpp
- Audio** Mic-in, Line-In, Line-Out (Pin Header)
- Power Connector** 1 x 3 Pin, terminal Block to support dual power input and relay output

Environment

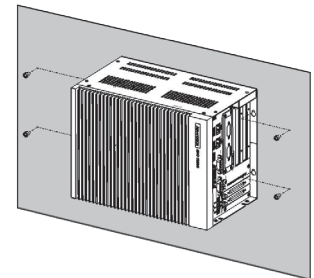
- Operating Temperature** -20 ~ 60°C (-4 ~ 140°F) with 0.7m/s airflow environment
- Storage Temperature** -40 ~ 85°C (-40 ~ 185°F)
- Relative Humidity** 10 ~ 95% RH, non-condensing
- Shock Protection** Operating, IEC 60068-2-27, 50G, half sine, 11ms (SSD)
Operating, IEC 60068-2-64, 4Grms, random, 5 ~ 500Hz, 1hr/axis (SSD); 1.5Grms, random, 5 ~ 500Hz, 1hr/axis (HDD)
- Vibration Protection**

Installation Scenario

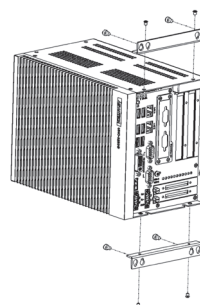
Stand mount



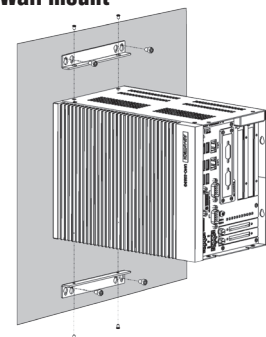
Wall mount



Enclosure Mount



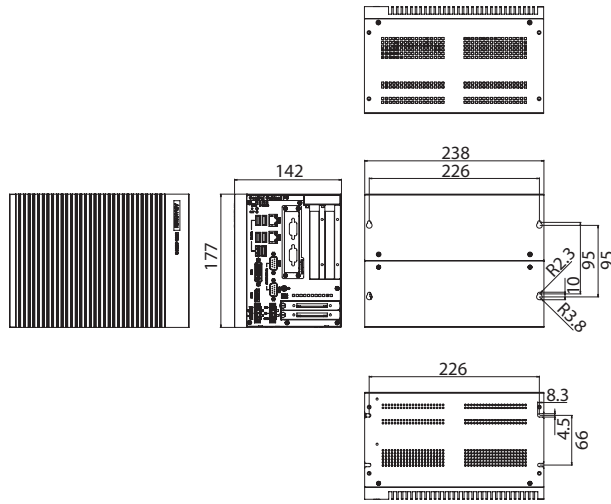
Wall mount



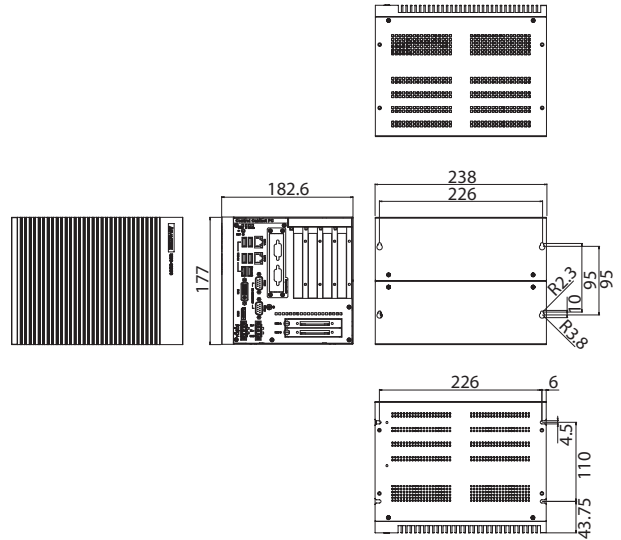
Dimensions

Unit: mm

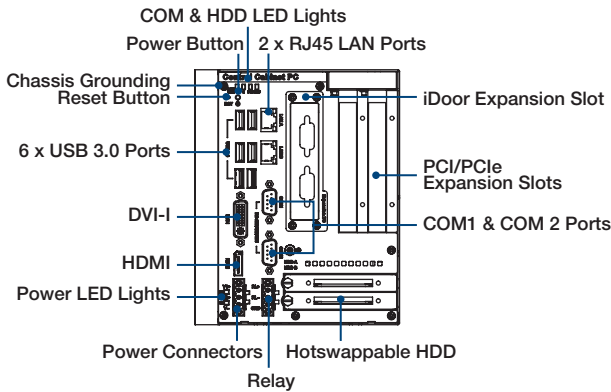
UNO-3283G



UNO-3285G



I/O View



Ordering Information

- **UNO-3283G-674AE** Intel Core™ i7-6822EQ 2.0GHz, 8GB, 2 x LAN, 1 x PCIe x16, 1 x PCI, 2 x Full-size mPCIe
- **UNO-3283G-654AE** Intel Core™ i5-6442EQ 1.9GHz, 8GB, 2 x LAN, 1 x PCIe x16, 1 x PCI, 2 x Full-size mPCIe
- **UNO-3283G-634AE** Intel Core™ i3-6102E 1.9GHz, 8GB, 2 x LAN, 1 x PCIe x16, 1 x PCI, 2 x Full-size mPCIe
- **UNO-3285G-674AE** Intel Core™ i7-6822EQ 2.0GHz, 8GB, 2 x LAN, 2 x PCIe x8, 2 x PCI, 2 x Full-size mPCIe

Optional Expansion Type by Project Support

P/N	Support Model	Description
9893U20500E	UNO-3285G	4 x PCI slot
9893U20700E	UNO-3283G	2 x PCI slot
9893U20800E	UNO-3283G	2 x PCIe x8 slot

iDoor Modules

- **PCM-2300MR-AE** MR4A16B, MRAM, 2 MByte, mPCIe
- **PCM-26D1DB-MAE** Hilscher netX100 FieldBus mPCIe, PROFIBUS, DB9 x 1, Master
- **PCM-26D1DB-SAE** Hilscher netX100 FieldBus mPCIe, PROFIBUS, DB9 x 1, Slave
- **PCM-26D2CA-AE** SJA1000 CANbus, CANopen, DB9 x 1
- **PCM-24D2R4-AE** 2-Ports Isolated RS-422/485 mPCIe, DB9
- **PCM-24D2R2-AE** 2-Ports Isolated RS-232 mPCIe, DB9
- **PCM-24D4R4-AE** 4-Ports Non-Isolated RS-422/485 mPCIe, DB37
- **PCM-24D4R2-AE** 4-Ports Non-Isolated RS-232 mPCIe, DB37
- **PCM-27D24DI-AE** 24-Channels Isolated Digital I/O with counter mPCIe, DB37
- **PCM-24R1TP-AE** 1-Port Gigabit Ethernet, Intel® 82574L, mPCIe, RJ45

Optional Accessories

- **96PSA-A150W24T2** 150W AC to DC power adapter
- **1702002600** Power Cable US Plug 1.8 M
- **1702002605** Power Cable EU Plug 1.8 M
- **1702031801** Power Cable UK Plug 1.8 M
- **1700000596** Power Cable China/Australia Plug 1.8 M
- **UNO-3283EM-AE** Extra 2 x COM ports extension kit
- **UNO-3283PR-AE** Remote Power & Reset extension kit

Embedded O/S

- **2070014705** Win10 IoT Enterprise LTSB X64 MUI. V6.00B001 UNO-328xG (i7) Image
- **2070014706** WES7P x64 MUI V4.14 B002 for UNO-328xG Image