

## I-9048

8-channel Digital Input with Interrupt Module

### Features

- Isolated or Non-isolated TTL Input Jumper Selectable
- Rising/Falling-edge Interrupts Programmable
- Supports Slot0, Slot1, Slot2, or Slot3 only
- Channel Status LED Indicators
- 4 kV ESD Protection
- 1500 Vrms Intra-module Isolation
- Wide Operating Temperature Range: -25 ~ +75°C



### Introduction

The I-9048 is an 8-channel digital input module with hardware interrupt capability for real-time system application. Each channel can be programmed as an interrupt input channel to invoke an interrupt on falling edges, rising edges or both falling and rising edges.

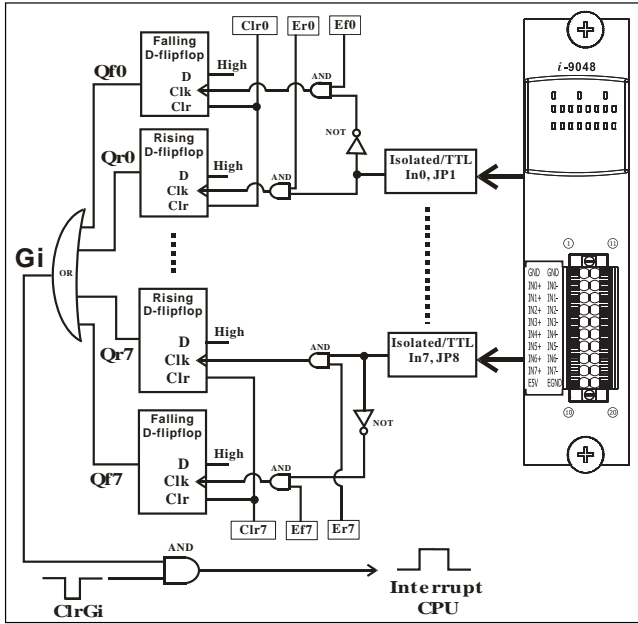
### System Specifications

Model	I-9048
<b>LED Display</b>	
System LED Indicators	1 LED as Power Indicator
I/O LED Indicator	8 LEDs as Digital Input Indicators
<b>Isolation</b>	
Intra-module Isolation, Field to logic	1500 Vrms
<b>EMS Protection</b>	
ESD(IEC 61000-4-2)	±4 kV Contact for Each Terminal
	±8 kV Air for Random Point
<b>Power</b>	
Power Consumption	1.75 W Max.
<b>Mechanical</b>	
Dimensions (L × W × H)	144 mm × 31 mm × 134 mm
<b>Environment</b>	
Operating Temperature	-25 ~ +75°C
Storage Temperature	-40 ~ +85°C
Humidity	10 ~ 90% RH, Non-condensing

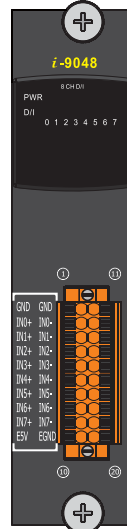
### I/O Specifications

Model	I-9048	
<b>Digital Input</b>		
Channels	8	
Sink/Source (NPN/PNP)	Sink/Source	
Input Type	Dry + Wet Contact	
Isolated	On Voltage Level	+4 V ~ +30 V
	Off Voltage Level	0 V ~ +1 V
Non-Isolated TTL	On Voltage Level	0 V ~ +0.8 V
	Off Voltage Level	+2 V ~ +5 V
Input Impedance	2.4 KΩ, 0.5 W	
Built-in Isolated Power Supply	200 mA @ 5 V	

### Internal I/O Structure



### Pin Assignments



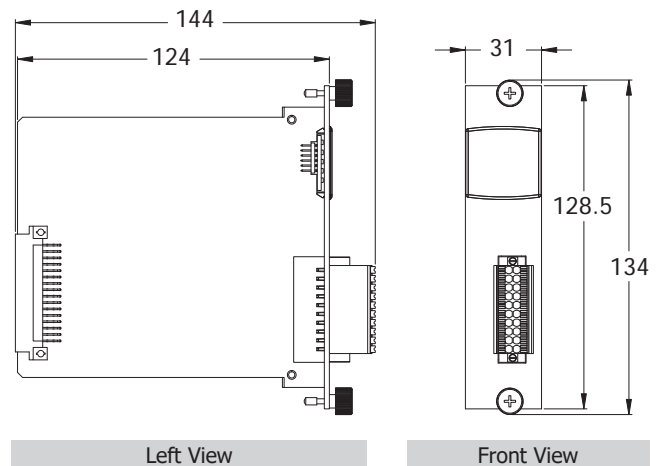
Pin Assignment	Terminal No.	Pin Assignment
GND	01	11 GND
IN0+	02	12 IN0-
IN1+	03	13 IN1-
IN2+	04	14 IN2-
IN3+	05	15 IN3-
IN4+	06	16 IN4-
IN5+	07	17 IN5-
IN6+	08	18 IN6-
IN7+	09	19 IN7-
E5V	10	20 EGND

### Wire Connections

Input Type	Isolated	
	ON State LED ON Readback as 1	OFF State LED OFF Readback as 0
Relay Contact	Relay ON 	Relay OFF 
TTL/CMOS Logic	Voltage > 4 V Logic Power Logic Level Low 	Voltage < 4 V Logic Power Logic Level High 
NPN Output	Open Collector ON 	Open Collector OFF 
PNP Output	Open Collector ON 	Open Collector OFF 

Input Type	Non-Isolated	
	ON State LED ON Readback as 1	OFF State LED OFF Readback as 0
Relay Contact	Relay ON 	Relay OFF 
TTL/CMOS Logic	Voltage > 4 V Logic Level Low Logic GND 	Voltage < 4 V Logic Level High Logic GND 
Open Collector	Open Collector ON 	Open Collector OFF 

### Dimensions (Units: mm)



### Ordering Information

<b>I-9048 CR</b>	8-channel Digital Input with Interrupt Module (RoHS)
------------------	--