



## I-8060W-G

6-channel Relay Output Module

### Features

- 6-channel Relay Output
- $\pm 4$  kV ESD Protection
- 1500 Vdc Intra-module Isolation
- Wide Operating Temperature Range:  $-25 \sim +75$  °C



### Introduction

The I-8060W module provides 6 Form C Relay Output channels. The I-8060W includes 6 LED indicators that can be used to monitor the status of the Relay Output.  $\pm 4$  kV ESD protection and 1500 Vdc intra-module isolation are also provided to enhance the noise protection capabilities of the module in harsh industrial environments.

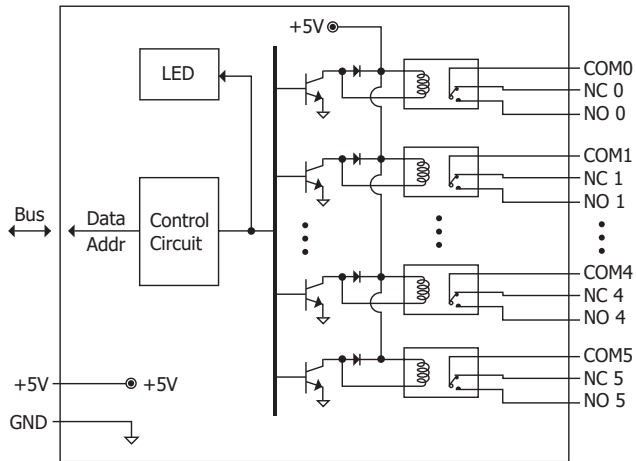
### System Specifications

LED Indicators	
Power LED Indicator	1 LED as Power Indicator
I/O LED Indicator	6 LEDs as Relay Output Indicators
Isolation	
Intra-module Isolation, Field-to-Logic	1500 Vdc
EMS Protection	
ESD (IEC 61000-4-2)	$\pm 4$ kV Contact for each Terminal
Power	
Power Consumption	1 W max.
Mechanical	
Dimensions (W x L x H)	30 mm x 102 mm x 115 mm
Environment	
Operating Temperature	$-25 \sim +75$ °C
Storage Temperature	$-40 \sim +85$ °C
Humidity	10 ~ 90% RH, Non-condensing

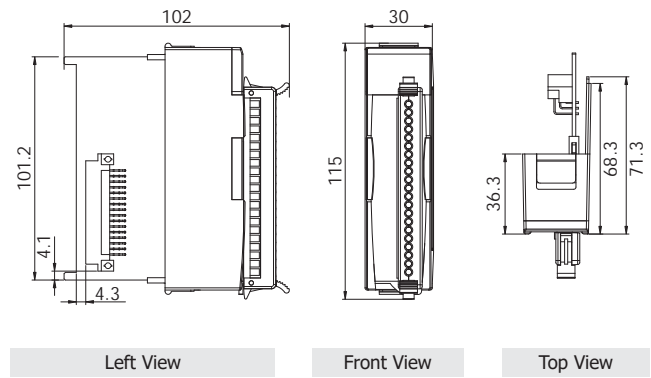
### I/O Specifications

Digital Output		
Max. Load Current	2 A @ 23 °C	
Relay Output		
Channels	6 (Form C)	
Type	Power Relay	
Contact Rating	0.5 A @ 125 VAC; 0.25 A @ 250 VAC; 2 A @ 30 VDC	
Max. Operate Time	10 ms max.	
Max. Release Time	5 ms max.	
Electrical Endurance	500,000 Min. @ 30 VDC @ 2 A, Resistive	
Mechanical Endurance	100,000,000 Min.	
Surge Strength	Between Open Contacts	1000 Vrms (at 1 Minute)
	Between Coil and Contacts	1500 Vrms (at 1 Minute)

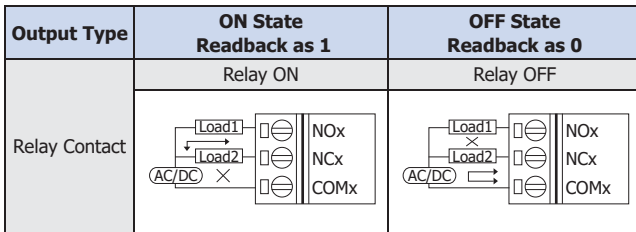
## Internal I/O Structure



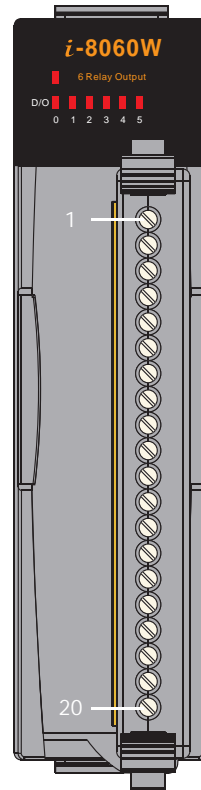
## Dimensions (Units: mm)



## Wire Connections



## Pin Assignments



Terminal No.	Pin Assignment
01	NO0
02	NC0
03	COM0
04	NO1
05	NC1
06	COM1
07	NO2
08	NC2
09	COM2
10	NO3
11	NC3
12	COM3
13	NO4
14	NC4
15	COM4
16	NO5
17	NC5
18	COM5
19	-
20	-

## Ordering Information

<b>I-8060W-G CR</b>	6-channel Relay Output Module (Gray Cover) (RoHS)
---------------------	---