



I-8058W-G

8-channel AC Isolated Digital Input Module

Features

- 8-channel AC Digital Input
- Photocouple Isolation
- ± 4 kV ESD Protection
- 5000 VDC Intra-module Isolation
- Wide Operating Temperature Range: $-25 \sim +75$ °C



Introduction

The I-8058W is an 8-channel AC/DC Digital Input module with high voltage isolation. The ON voltage level for the module range can be between 80 ~ 250 VAC/VDC. The I-8058W include 8 LED indicators that can be used monitor DI channel status. 4 kV ESD protection and 5000 VDC intra-module isolation are standard.

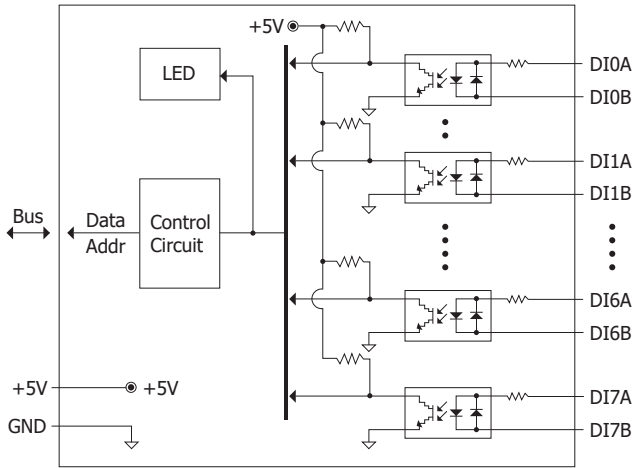
System Specifications

LED Indicators/Display	
System LED Indicators	1 LED as Power Indicator
I/O LED Indicators	8 LEDs as Digital Input Indicators
Isolation	
Intra-module Isolation, Field-to-Logic	5000 VDC
EMS Protection	
ESD (IEC 61000-4-2)	± 4 kV Contact for each Terminal
Power	
Power Consumption	0.6 W max.
Mechanical	
Dimensions (W x L x H)	30 mm x 102 mm x 115 mm
Environment	
Operating Temperature	$-25 \sim +75$ °C
Storage Temperature	$-40 \sim +85$ °C
Humidity	10 ~ 90% RH, Non-condensing

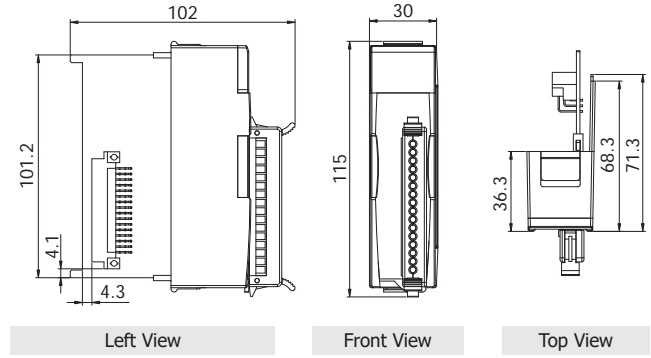
I/O Specifications

Digital Input	
Channels	8 AC (Differential)
Type	Wet Contact
On Voltage Level	80 ~ 250 VAC
Off Voltage Level	30 VAC max.
AC Frequency	50 ~ 400 Hz
Input Impedance	68 K Ω , 1 W

Internal I/O Structure



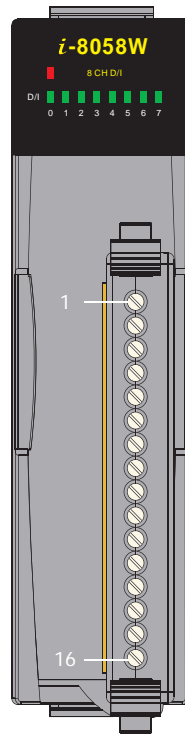
Dimensions (Units: mm)



Wire Connections

Input Type	ON State LED ON Readback as 1	OFF State LED OFF Readback as 0
	Voltage > 80 VAC	Voltage < 30 VAC
Relay Contact		

Pin Assignments



Terminal No.	Pin Assignment
01	DI0A
02	DI0B
03	DI1A
04	DI1B
05	DI2A
06	DI2B
07	DI3A
08	DI3B
09	DI4A
10	DI4B
11	DI5A
12	DI5B
13	DI6A
14	DI6B
15	DI7A
16	DI7B

Ordering Information

I-8058W-G CR	8-channel 80 ~ 250 VAC Isolated Digital Input Module (Gray Cover) (RoHs)
---------------------	--------------------------------------------------------------------------