



I-8052W-G

8-channel Isolated Digital Input Module

Features

- 8-channel Isolated Digital Input
- 2 kV Channel-to-Channel Isolation
- Sink- or Source-type Input
- ± 4 kV ESD Protection
- Wide Operating Temperature Range: $-25 \sim +75$ °C



Introduction

The I-8052W module offers 8 fully independent differential Digital Input channels that feature 2 kV channel-to-channel Photocouple isolation. In addition, either sink- or source-type input can be selected via the wire connections. The I-8052W also includes 8 LED indicators that can be used to monitor the status of the Digital Input channels.

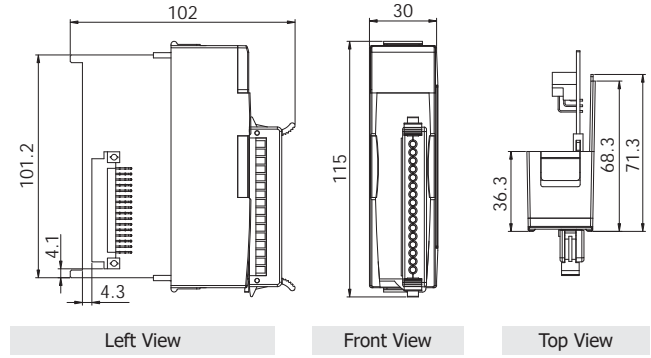
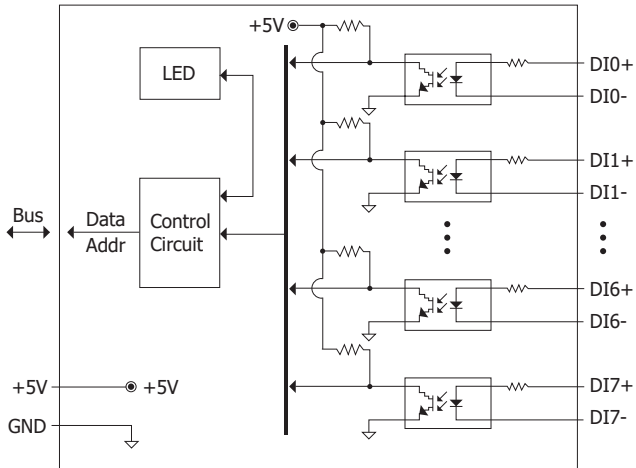
System Specifications

| LED Indicators/Display | |
|--|--------------------------------------|
| System LED Indictors | 1 LED as Power Indicator |
| I/O LED Indicators | 8 LEDs as Digital Input Indicators |
| Isolation | |
| Intra-module Isolation, Field-to-Logic | 5000 VDC |
| EMS Protection | |
| ESD (IEC 61000-4-2) | ± 4 kV Contact for each Terminal |
| Power | |
| Power Consumption | 0.3 W max. |
| Mechanical | |
| Dimensions (W x L x H) | 30 mm x 102 mm x 115 mm |
| Environment | |
| Operating Temperature | $-25 \sim +75$ °C |
| Storage Temperature | $-40 \sim +85$ °C |
| Humidity | 10 ~ 90% RH, Non-condensing |

I/O Specifications

| Digital Input | |
|--------------------|--------------------------|
| Channels | 8 |
| Type | Differential |
| Sink/Source | Sink, Source |
| On Voltage Level | +10 ~ +30 Vdc |
| Off Voltage Level | +4 VDC max. |
| Input Impedance | 3 K Ω , 0.25 W |
| 4KV ESD Protection | Contact for each channel |

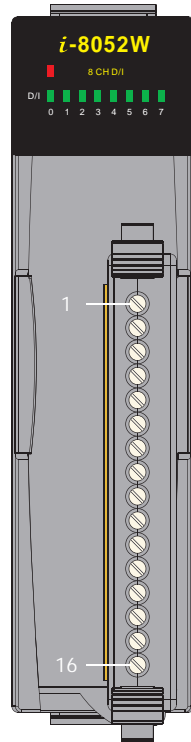
Internal I/O Structure



Wire Connections

| Input Type | ON State LED ON Readback as 1 | OFF State LED OFF Readback as 0 |
|----------------|--|--|
| Relay Contact | Relay ON | Relay OFF |
| | | |
| TTL/CMOS Logic | Voltage > 10 V Logic Power Logic Level Low | Voltage < 4 V Logic Power Logic Level High |
| | | |
| Open Collector | Open Collector ON | Open Collector OFF |
| | | |

Pin Assignments



| Terminal No. | Pin Assignment |
|--------------|----------------|
| 01 | DI0+ |
| 02 | DI0- |
| 03 | DI1+ |
| 04 | DI1- |
| 05 | DI2+ |
| 06 | DI2- |
| 07 | DI3+ |
| 08 | DI3- |
| 09 | DI4+ |
| 10 | DI4- |
| 11 | DI5+ |
| 12 | DI5- |
| 13 | DI6+ |
| 14 | DI6- |
| 15 | DI7+ |
| 16 | DI7- |

Ordering Information

| | |
|---------------------|---|
| I-8052W-G CR | 8-channel Isolated Digital Input Module (Gray Cover) (RoHS) |
|---------------------|---|