

AXP-9191-IoT/AXP-9391-IoT/AXP-9791-IoT

1/3/7-slot Metal Standard PAC with E3950 CPU and Win10 IoT

Features

- Windows 10 IoT Enterprise (64-bit)
- E3950(1.6 ~ 2.0 GHz, 4C4T)
- 32 GB DDR4 SDRAM
- 128 GB SSD
- VGA / HDMI Display Output
- 2 10/100/1000M Ethernet Ports
- Redundant Power Input
- Operating Temperature: -25 ~ +60 °C



Introduction

The AXP-9000-IOT are Windows 10 IoT based PACs that combine computing, I/O, and operator interface into a single unit, and provide the perfect solution for integrating HMI, data acquisition and control in an individual PAC. It is equipped with an E3950(1.6 ~ 2.0 GHz, 4C4T) CPU, 0/2/6 I/O expansion slots and a variety of connectives including dual Gigabit Ethernet, VGA, HDMI, USB port, RS-232 and RS-485 interface. Local I/O slots are available to use our I-9K, I-97K, e-9K series I/O modules and remote I/O expansions are available to use our Ethernet I/O modules and RS-485 I/O modules.

AXP-9000-IoT has a built-in Windows 10 IoT Enterprise operating system, which can support both the Universal Windows App and traditional Windows applications simultaneously. For software development tools, it can maintain maximum sharing with Windows 10, and applications can be quickly ported to AXP-9000 and deployed in a variety of harsh environments.

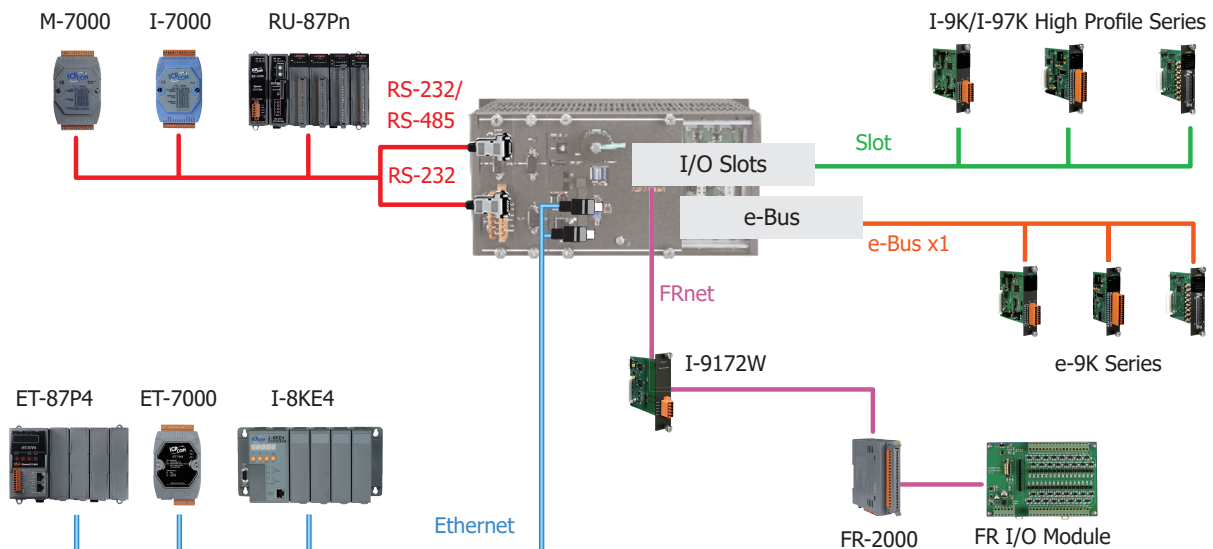
What is Windows 10 IoT?



Windows 10 IoT is a member of the Windows 10 family that brings enterprise-class power, security and manageability to the Internet of Things. It leverages Windows' embedded experience, ecosystem and cloud connectivity, allowing organizations to create their Internet of Things with secure devices that can be quickly provisioned, easily managed, and seamlessly connected to an overall cloud strategy.

- Traditional Windows Shell with Advanced Lockdown Features
- Full Windows UI support (e.g. UWP, WinForms, etc)

Applications

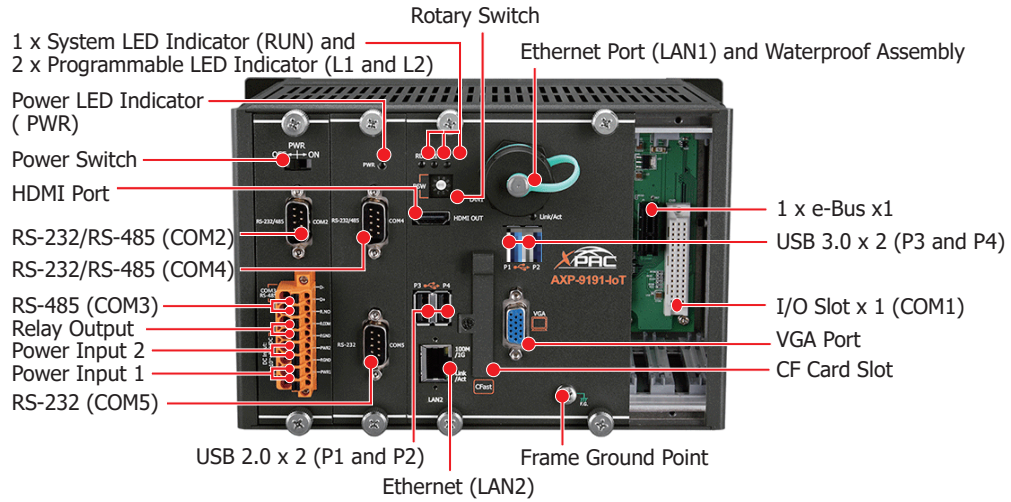


Specifications

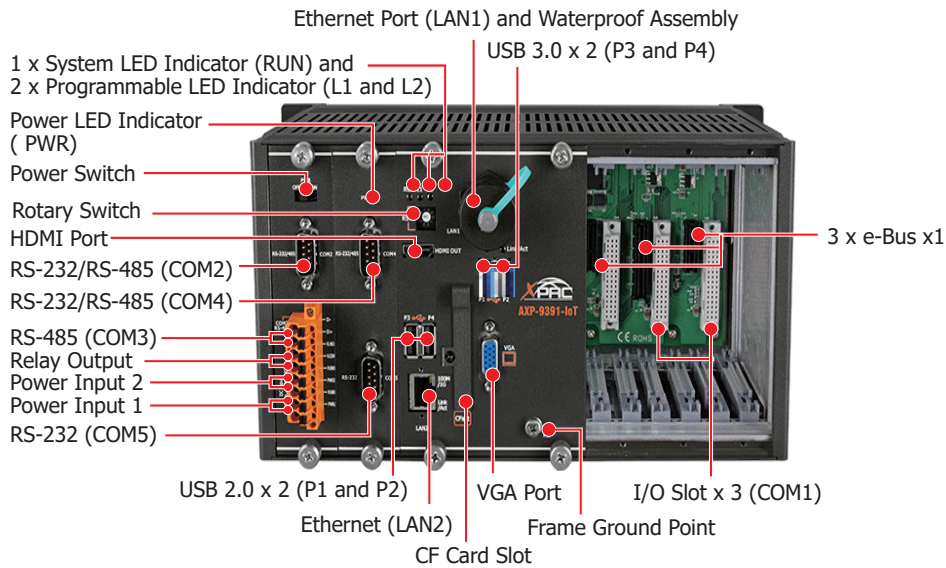
Model	AXP-9191-IoT	AXP-9391-IoT	AXP-9791-IoT
Software			
OS	Windows 10 IoT Enterprise (64-bit)		
Framework Support	.Net Framework 3.5 ~ 4.8		
Service	IE11, FTP Server, IIS 7.0, ASP (Java Script, VB Script)		
SDK Provided	DII for VC, DII for Visual Studio.Net		
Multilanguage Support	English, German, French, Spanish, Portuguese, Russian, Italian, Korean, Japanese, Simplified Chinese, Traditional Chinese		
Main Unit			
CPU	Intel Atom [®] E3950 Processor (1.6 ~ 2.0 GHz, 4C4T)		
System Memory	32 GB DDR4		
MRAM	128 GB		
Flash	mSATA slot with one 64 GB SSD		
EEPROM	16 KB		
Storage	32 GB CF card (support up to 32 GB)		
RTC (Real Time Clock)	Provide seconds, minutes, hours, day of week/month, month and year		
64-bit Hardware Serial Number	Yes, for software copy protection		
Watchdog Timer	Dual Watchdog Timer		
Rotary Switch	1 x 10 Position (0 ~ 9)		
Buzzer	Yes		
Display			
VGA Resolution	1280 x 1024 ~ 1920 x 1080 (16 : 9), 640 x 480 ~ 1024 x 768 (4 : 3)		
HDMI Resolution	1280 x 1024 ~ 1920 x 1080 (16 : 9), 640 x 480 ~ 1024 x 768 (4 : 3)		
LED Indicator	1 x System, 2 x Power and 2 x Programmable		
Communication Ports			
Ethernet	2 x RJ-45 10/100/1000M Base-TX (Auto-negotiating, Auto MDI/MDI-X, LED indicators)		
USB	2 x USB 2.0, 2 x USB 3.0		
COM1	Internal communication with the I-97K series modules in slots		
COM2	RS-232/485 (Rx/D, Tx/D and GND for RS-232; Data+, Data- for RS-485); 3000 VDC isolated		
COM3	RS-485 (Data+, Data-); 3000 VDC isolated		
COM4	RS-232/485 (Rx/D, Tx/D, CTS, RTS and GND for RS-232; Data+, Data- for RS-485); 3000 VDC isolated		
COM5	RS-232 (Rx/D, Tx/D, CTS, RTS, DSR, DTR, CD, RI and GND); 3000 VDC isolated		
I/O Expansion			
I/O Type	I-9K, I-97K series		
Parallel/Series Bus	1	3	7
e-Bus	1	3	3
Mechanical			
Dimension (W x L x H)	239 mm x 164 mm x 133 mm	300 mm x 164 mm x 133 mm	422 mm x 164 mm x 133 mm
Installation	DIN-Rail, Wall mounting		
Cooling Type	CPU Heat Sink / Fanless		
Environmental			
Operating Temperature	-25 ~ +60 °C		
Storage Temperature	-30 ~ +80 °C		
Humidity	10 ~ 90 % RH (non-condensing)		
Power			
Capacity	25 W supply to CPU and backplane, 25 W supply to I/O expansion slots and USB ports, 50 W in total		
Input Range	+19 ~ 30 VDC (2 kV Isolated)		
Redundant Power Inputs	Yes, with one power relay (1 A @ 24 VDC) for alarm		
Consumption	19 W	20 W	21 W

Appearance

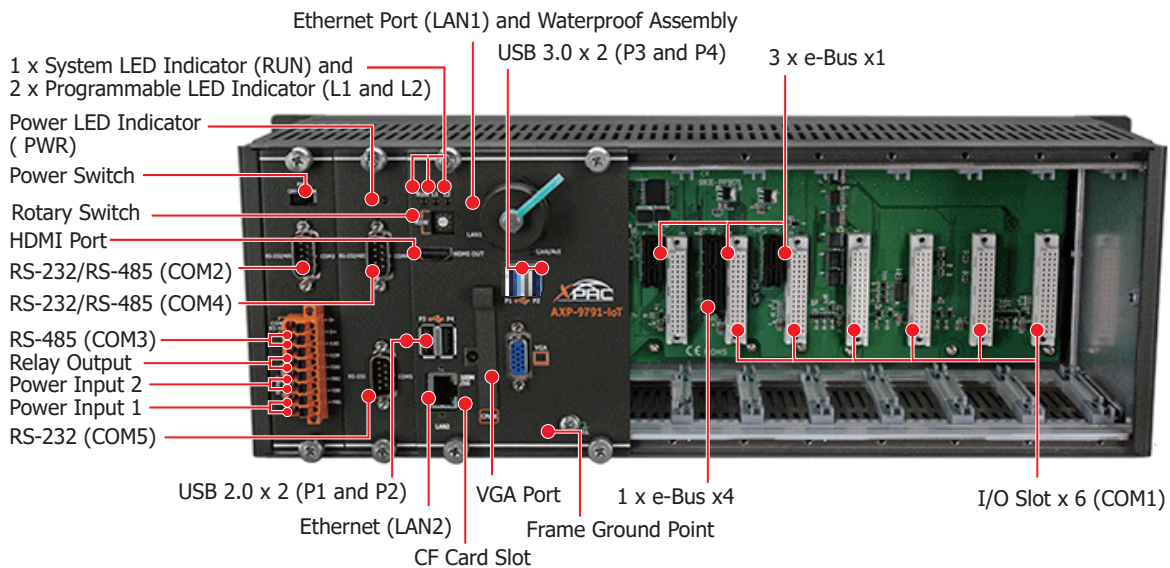
AXP-9191-IoT



AXP-9391-IoT

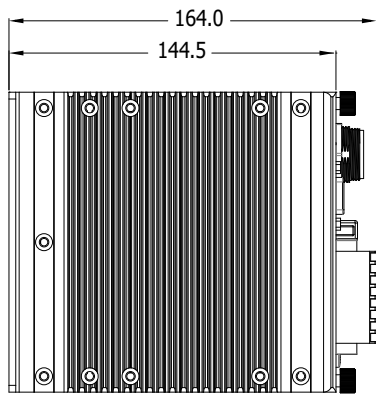


AXP-9791-IoT



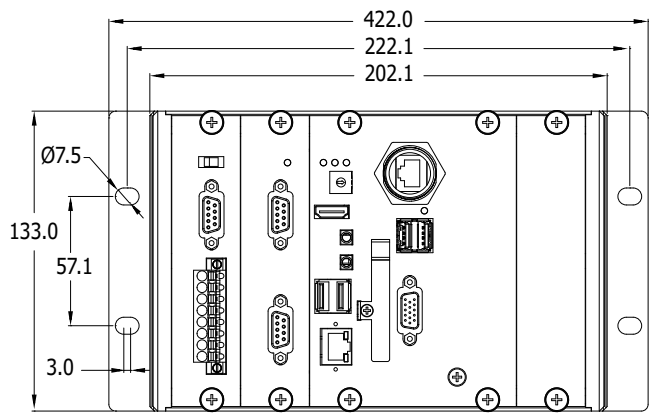
■ Dimensions (Units: mm)

AXP-9191-IoT/AXP-9391-IoT/AXP-9791-IoT



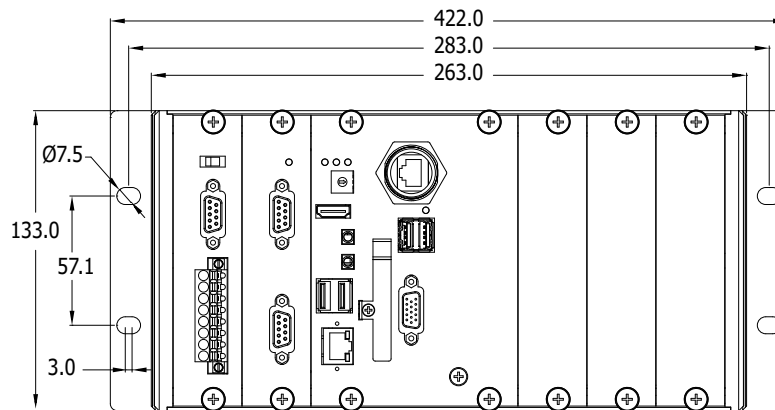
Left Side View

AXP-9191-IoT



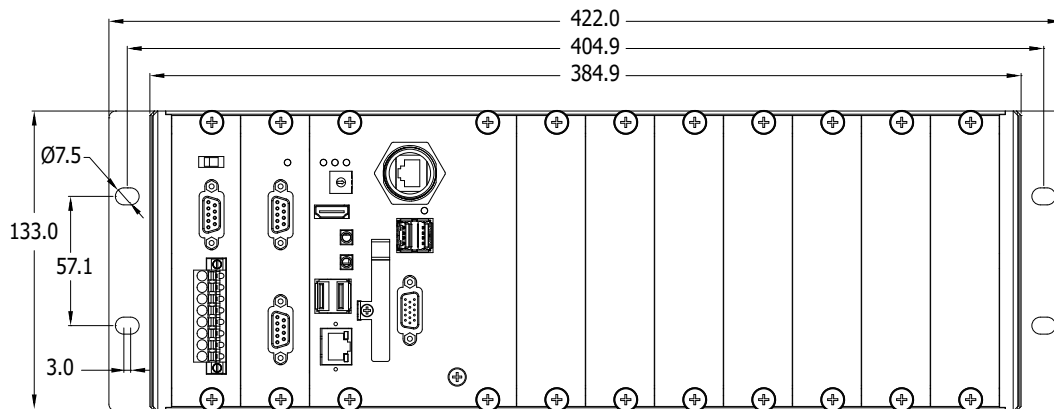
Front View

AXP-9391-IoT



Front View

AXP-9791-IoT



Front View

■ Ordering Information

AXP-9191-IoT CR	1-slot Metal Standard PAC with E3950 CPU and Win10 IoT (RoHS)
AXP-9391-IoT CR	3-slot Metal Standard PAC with E3950 CPU and Win10 IoT (RoHS)
AXP-9791-IoT CR	7-slot Metal Standard PAC with E3950 CPU and Win10 IoT (RoHS)