



## SG-3037-G

Triaxial Signal Conditioner

### Features

- 3-channel voltage input & output
- Input voltage range: 0-24V
- Provides signal bandwidth: 50 kHz
- Provides 24V power supply for the accelerometer



### Introduction

SG-3037 is a Triaxial Signal Conditioner. SG-3037 with 3-channel analog inputs can connect to the voltage output accelerometer, and convert the signal measured from the accelerometer into the analog voltage output. PET-7H16M module collects the vibration data through SG-3037, and then send them via high-speed Ethernet to the data center for processing and analysis.

Triaxial Accelerometers  
iSN-703-BALT-F1-L015

Triaxial Signal Conditioner  
SG-3037

DAQ Module  
PET-7H16M



### Applications

- Data Acquisition System
- Remote Diagnosis
- Vibration Measurement
- Testing Equipment

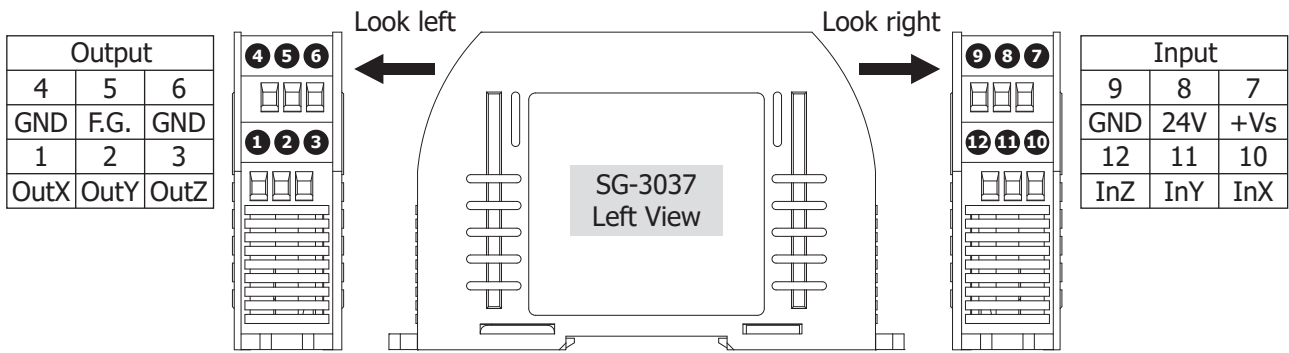
### System Specifications

EMS Protection	
EFT (IEC 61000-4-4)	±4 kV for Power Line
ESD (IEC 61000-4-2)	±4 kV Contact for each Terminal
Surge (IEC 61000-4-5)	±1 kV for Power Line
LED Indicators	
Status	1 as Power Indicator
Power	
Reverse Polarity Protection	Yes
Input Range	+10 ~ +30 VDC
Consumption	1.5 W
Mechanical	
Dimensions (W x L x H)	25 mm x 114 mm x 70 mm
Installation	DIN-Rail or Wall Mounting
Environment	
Operating Temperature	-25 ~ +75 °C
Storage Temperature	-40 ~ +85 °C
Humidity	10 ~ 95% RH, Non-condensing

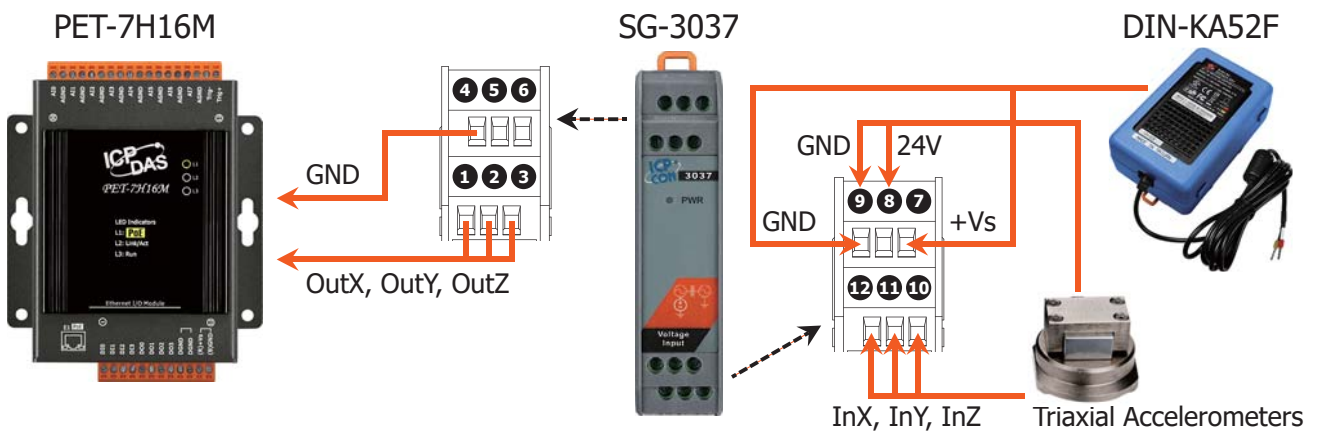
### I/O Specifications

Analog Input	
Channels	3
Type	Voltage
Range	0 ~ 24 VDC
Accuracy	±5% of FSR
Bandwidth	50 kHz
Analog Output	
Channels	3
Type	Voltage
Range	±10 VDC
Excitation Voltage Output	
Range	24 VDC

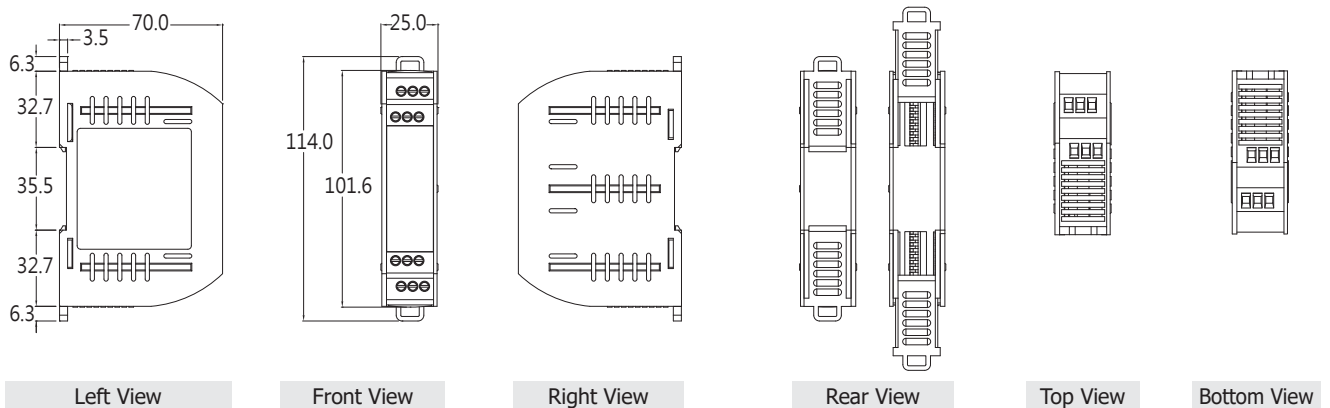
## PIN Assignments



## Wire Connections



## Dimensions (Units: mm)



## Ordering Information

**SG-3037-G CR** Triaxial Signal Conditioner (RoHS)