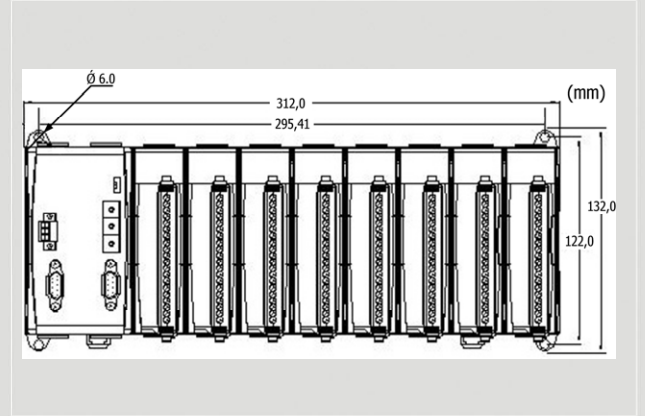


CANopen Remote I/O Unit with 8 I/O Expansions



CAN-8823



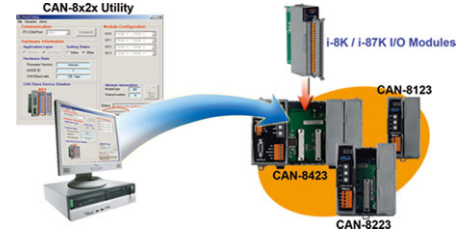
Dimensions

The CAN-8823 main control unit is specially designed for the slave device of CANopen protocol. It follows the CANopen Spec CiA 301 V4.02 and CiA 401 V2.1, and supplies many features for users, such as dynamic PDO, EMCY object, error output value, SYNC cyclic and acyclic ... etc. The CAN-8823 supports up to 8 slots for I/O expansion and suits with a lot of ICP DAS DI / AI / DO / AO modules. User can choose DI/DO/AI/AO modules of **High-profile I-87K series** or I-8000 series to fit the customized practice applications. In addition, we also provide CAN-8x23 Utility to allow users to create the EDS file dynamically.

Features

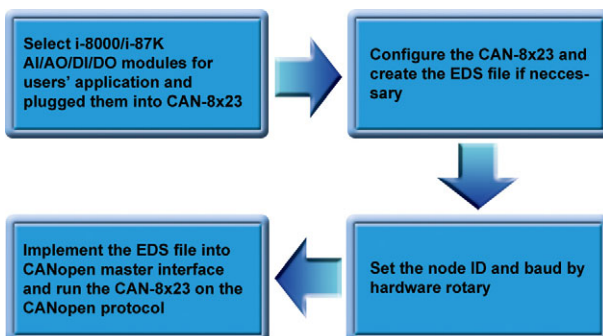
- NMT: Slave
- Error Control: Node Guarding/Heartbeat Producer
- No. of SDOs: 1 Server, 0 Client
- No. of PDOs: 16Rx, 16Tx
- PDO Modes: Event Triggered, Remotely requested, Cyclic and Acyclic SYNC
- Emergency Message available
- CANopen Version: CiA 301 v4.02
- Device Profile: CiA 401 v2.1
- Produce EDS file Dynamically
- CAN, ERR, and Tx/Rx LED indicator
- Support Hot Swap and Auto-Configuration for high profile I-87K I/O modules

Utility Features

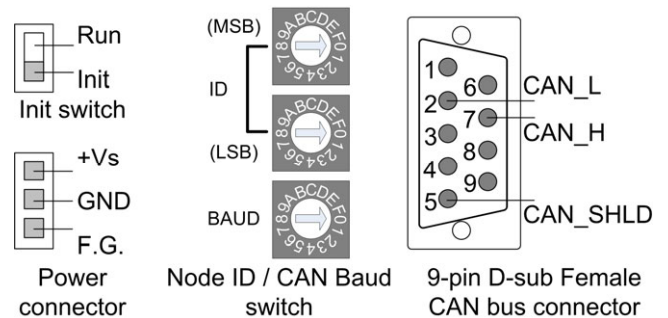


CAN-8x23 main unit can be plugged in the I-8K/I-87K IO modules to create a customized CANopen slave device and application. The CAN-8x23 Utility tool can configure the IO connection path, assembly and application objects information and create the EDS file of the device.

Design Flowchart



Pin Assignments



Baud Rotary Switch	CAN Baud Rate	Baud Rotary Switch	CAN Baud Rate
0	10 kbps	4	250 kbps
1	20 kbps	5	500 kbps
2	50 kbps	6	800 kbps
3	125 kbps	7	1000 kbps

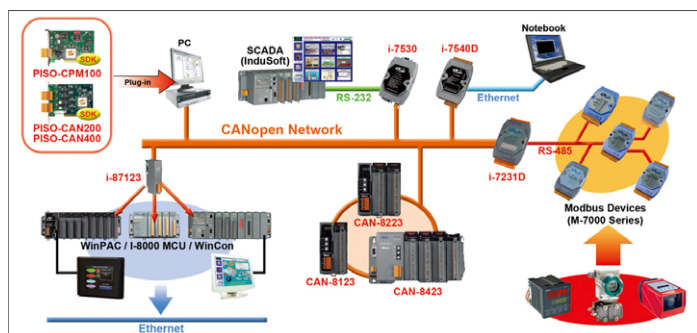
Hardware Specifications

Hardware	
CPU	80186, 80 MHz or compatible
SRAM/Flash/EEPROM	512 KB / 512 KB / 2 KB
NVRAM	31 bytes (battery backup, data valid for up to 10 years)
RTC (Real Time Clock)	Yes
Watchdog	Watchdog IC
Expansion Slot	8 slots
CAN Interface	
Controller	NXP SJA1000T with 16 MHz clock
Transceiver	NXP TJA1042
Connector	9-pin female D-Sub (CAN_L, CAN_SHLD, CAN_H, N/A for others)
Baud Rate (bps)	10 k, 20 k, 50 k, 125 k, 250 k, 500 k, 800 k, 1 M (By rotary switch)
Transmission Distance (m)	Depend on baud rate (for example, max. 1000 m at 50 kbps)
Isolation	3000 V _{DC} for DC-to-DC, 2500 V _{rms} for photo coupler
Terminator Resistor	Jumper for 120 Ω terminator resistor
Specification	ISO-11898-2, CAN 2.0A
Protocol	CANopen CiA 301 ver4.02, CiA 401 ver2.1
UART Interface	
COM 1	RS-232 (For configuration)
LED	
Round LED	PWR LED, RUN LED, ERR LED
Power	
Power supply	Unregulated +10 ~ +30 V _{DC}
Mechanism	
Dimensions	312mm x 132mm x 91mm (W x L x H)
Environment	
Operating Temp.	-25 ~ 75 °C
Storage Temp.	-30 ~ 80 °C
Humidity	10 ~ 90% RH, non-condensing

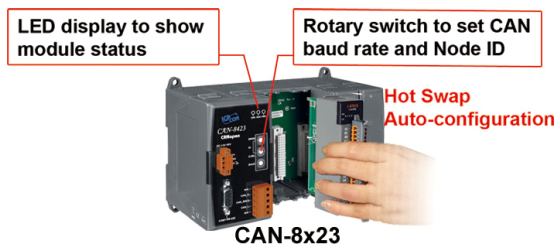
LED Indicators

LED	Description
PWR	Indicate the status of power supply
RUN	Indicates the status of the physical layer
ERR	Indicates the condition of the CANopen network state mechanism

Application



Hot Swap & Auto-configuration



Ordering Information

CAN-8823	CANopen Remote I/O Unit with 8 Expansions
-----------------	---