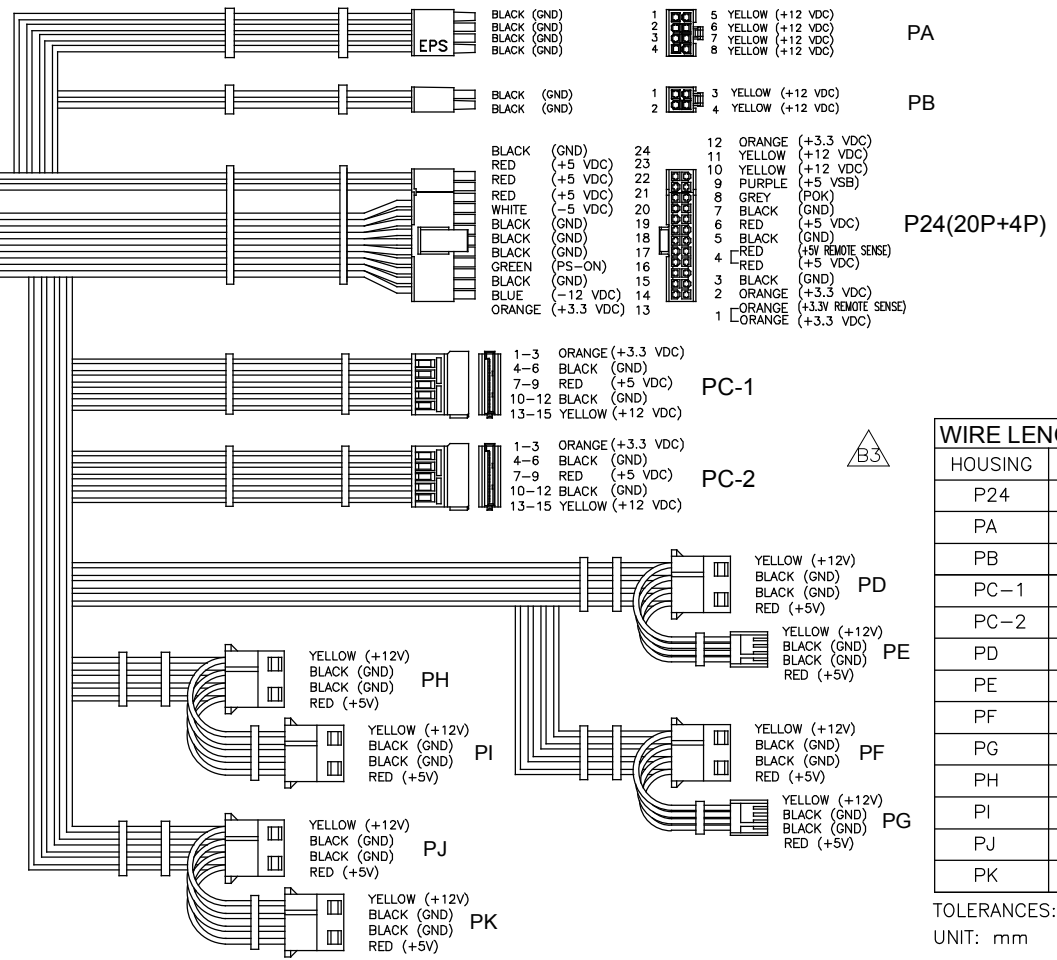
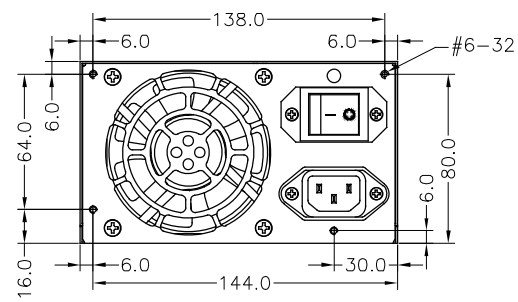
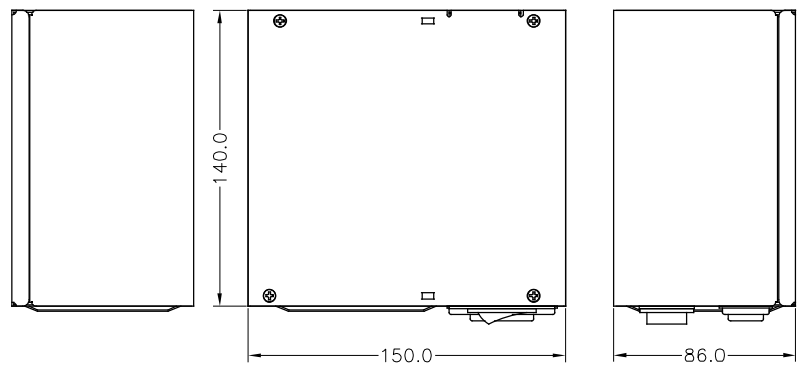
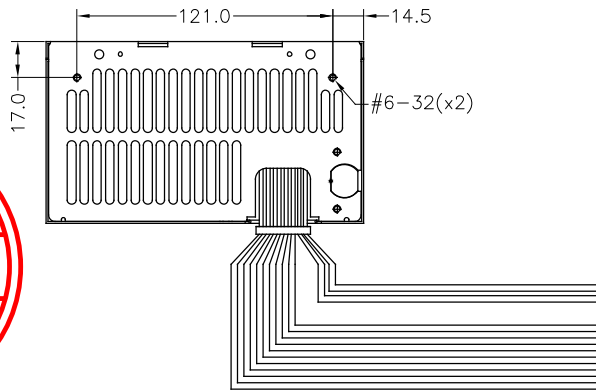




修訂 REVISIONS		日期 DATE
版次 REV.	記述 DESCRIPTION	
B2	增加線材	AUG-27-2009
B3	變更SATA線材長度	SEP-02-2009



HOUSING	LENGTH
P24	550
PA	550
PB	550
PC-1	550
PC-2	550
PD	550
PE	200
PF	550
PG	200
PH	550
PI	200
PJ	550
PK	200

TOLERANCES: ±20  
UNIT: mm

- Notes:
- (a) All the Length of Output Wires Exclude Housing.
  - (b) P24 Connector: DST CH4201-220M/2 + CH4201-204M/2 or EQUIV.  
Terminal: MOLEX 39-00-0059/79 or EQUIV.
  - (c) PA,PB Connector: MOLEX 5557 Series or EQUIV.  
Terminal: MOLEX 39-00-0059/79 or EQUIV.
  - (d) PC-1,PC-2 Connector: MOLEX 675820000 or EQUIV.  
Terminal: MOLEX 675810000 or EQUIV.
  - (e) PD,PF,PH-PK Connector: AMP 1-480424-0 or EQUIV.  
Terminal: AMP 61117-4 or EQUIV.
  - (f) PE,PG Connector: AMP 171822-4 or EQUIV.  
Terminal: AMP 170262-1 or EQUIV.

容許公差: TOLERANCES:	.XXX ±.025 .XX ±.100 .X ±.250
投影法: PROJECTION:	第三角法

材料規格: MATERIAL:	
核准者: APPROVE BY:	黃永欣
日期: DATE:	SEP-02-2009
審核者: CHECK BY:	李宗翰
日期: DATE:	SEP-02-2009
繪圖者: DRAW BY:	林意紋
日期: DATE:	SEP-02-2009

新巨企業股份有限公司 <b>ZIPPY TECHNOLOGY CORP.</b> POWER DIVISION	
品名: MODEL NO:	HG2-6400P
料號: PART NO:	B001120220
圖號: DRAW NO:	B001120220
櫃號: FILE NO:	B001120220
單位: UNITS:	mm
版次: REV. NO:	B3
規格: SPEC.:	A0
編號: SHEET:	OF