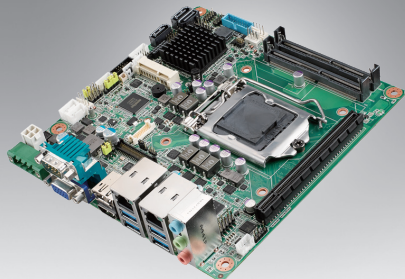


AIMB-275

Intel® Core™ i7/i5/i3 LGA 1151 Mini-ITX with VGA/DP⁺⁺/HDMI/LVDS(eDP), 2 COM, Dual LAN, PCIe x16, M.2, DDR4, DC Input

NEW



Specifications

Features

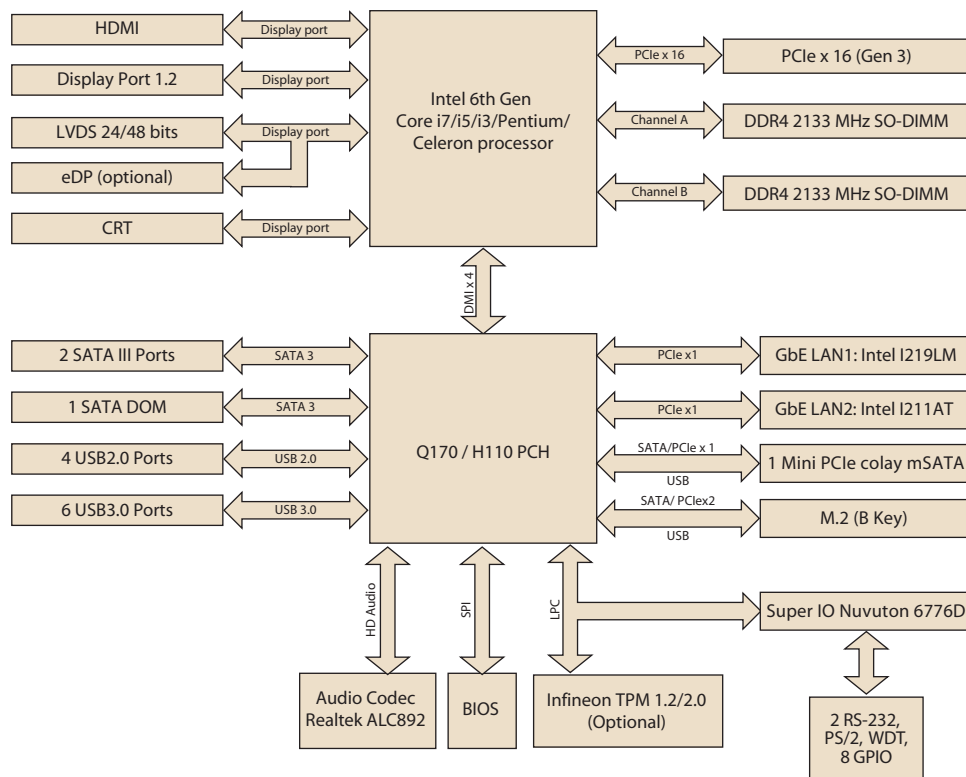
- Supports Intel® 6th Gen Core™ i processor (LGA1151) with Intel Q170 chipset
- Two 260-pin SO-DIMM up to 32GB DDR4 2133 MHz SDRAM
- Supports triple display of VGA/DP/HDMI/LVDS(eDP)
- Supports PCIe x16 (Gen 3), 1 F/S miniPCIe 1 M.2 (NGFF), 6 USB 3.0 and 3 SATA III
- Support wide range 12V-24V DC Input
- Supports Intel vPro, AMT 11.0, PECI 3.0, Software RAID 0,1,5,10, TPM 1.2 / 2.0 (optional)
- Supports SUSIAccess and Embedded Software APIs

Software APIs: SMBus, H/W Monitor, Watchdog, GPIO, Brightness

Utilities: BIOS flash, Monitoring

	CPU	i7-6700	i7-6700TE	i5-6500	i5-6500TE	i3-6100	i3-6100TE	Pentium G4400/4400TE	Pentium G3900/3900TE	
Processor System	Core Number	4	4	4	4	2	2	2 / 2	2 / 2	
	Max Speed	3.4GHz	2.4GHz	3.2GHz	2.3GHz	TBD	2.7GHz	3.3GHz / 2.9GHz	2.8GHz / 2.6GHz	
	L3 Cache	8M	8M	6M	6M	4M	4M	3M / 3M	2M / 2M	
	TDP	65W	35W	65W	35W	51W	35W	54W / 35W	51W / 35W	
	Chipset	Q170 / H110								
Expansion Slot	BIOS	AMI EFI 128 Mbit SPI								
	M.2	1, B key for SSD and 3G supported (Type: 2242, 2280mm)								
	Mini-PCIe	1, F/S miniPCIe slot (with mSATA supported)								
Memory	PCIe x16 (Gen3)	16 GB/s per direction, 1 slot								
	Technology	Dual Channel DDR4 2133 MHz SDRAM								
	Max. Capacity	32GB (up to 16GB per SO-DIMM)								
Graphics	Socket	2 x 260 PIN DDR4 SO-DIMM (Non-ECC)								
	Controller	Supports OpenGL 5.x, DirectX12, OpenCL 2.X								
	VRAM	Shared system memory, 2 GB and above, total system memory shared 1 GB maximum video memory								
	CRT	Yes, supports max. resolution 1920 x 1200 @ 60 Hz								
	LVDS	Supports dual channel 48-bit up to 1920 x 1200								
	HDMI	Yes, supports max. resolution 4096 x 2160 @60 Hz (HDMI 2.0)								
	eDP	Yes, with internal pin header, supports max. resolution 4096 x 2160 @ 60 Hz								
	Display Port 1.2	Yes, supports max. resolution 3840 x 2160 @ 60 Hz								
Ethernet	Triple Display	VGA+HDMI+DP ⁺⁺ , VGA+DP ⁺⁺ +LVDS(eDP), VAG+HDMI+LVDS (eDP), DP ⁺⁺ +HDMI+LVDS (eDP)								
	Interface	10/100/1000 Mbps								
	Controller	GbE LAN1: Intel i219LM; LAN2: Intel I211AT								
SATA	Connector	RJ-45 x 2								
	Max Data Transfer Rate	600 MB/s (SATA 3.0)								
Rear I/O	Channel	3 (2 SATAIII, 1 SATA DOM)								
	CRT	1								
	HDMI	1 (HDMI 2.0 or HDMI 1.2)								
	Display Port 1.2	1								
	Ethernet	2								
	USB	4 (USB 3.0)								
	Audio	3 (Mic-in, Line-out, Line-in)								
Internal Connector	Serial	1 (RS-232, supports 5V/12V)								
	Phoenix Connector	1								
	USB	6 (2 USB 3.0, 4 USB 2.0)								
	LVDS/inverter	1								
	Serial	1 (RS-232/422/485)								
	SATA	3 (SATA 3.0)								
	Mini-PCIe	1 (F/S x1, mSATA supported)								
Watchdog Timer	M.2	1 (B Key for SSD and 3G supported)								
	IrDA	-								
	GPIO	8-bit								
	Output	System reset								
Power Requirements	Interval	Programmable 1 ~ 255 sec/min								
	Input power	12 ~ 24V DC Input								
Environment	Win Idle	19.28W (Intel core i7-6700 3.4GHz / DDR4 2133MHz 8GB x 2)								
	Operating	Non-Operating								
Physical Characteristics	Temperature	0 ~ 60° C (32 ~ 140° F), depends on CPU speed and cooler solution								
	Dimensions	-40 ~ 85° C (-40 ~ 185° F)								
		170 mm x 170 mm (6.69" x 6.69")								

Block Diagram



Ordering Information

P/N	Chipset	DP	VGA	LVDS/ eDP	HDMI	GbE LAN	COM	M.2	SATA	USB 3.0/ 2.0	MiniPCIe	TPM	AMP	PCIex16
AIMB-275G2-00A1E	Q170	1	1	1/(1)	1 (HDMI 2.0)	2	2	1	3 (1 SATA DOM support)	6/4	1 (F/S)	(1)	(1)	1
AIMB-275VG-00A1E	Q170	1	1	0	1 (HDMI 1.2)	1	2	0	3	4/4	1 (F/S)	(1)	(1)	1
AIMB-275L-00A1E	H110	1	1	0	1 (HDMI 1.2)	1	2	0	3	4/4	1(F/S) mSATA only	(1)	(1)	1

*) BOM options available on MP version.

Packing List

Part Number	Description	Quantity
1700003194	SATA HDD cable	1
1700018785	SATA power cable (1 port, 25cm)	1
1700100250	Serial port cable	1
1920001186T000	I/O port bracket	1
2006027510	Startup manual	1
1700025084-01	ATX 2*10P to 1*3P-2.0 25cm cable	1

Optional Chassis

Part Number	Description
AIMB-B2000-15ZE	Mini-ITX chassis with 150W ATX power supply
AIMB-B2000-00YE	Mini-ITX chassis (Optional external AC-DC 60W/84W Adaptor)

I/O View



Optional Accessories

Part Number	Description
1703100121	USB 2.0 cable with two ports, 12 cm
1703100261	USB 2.0 cable with two ports, 26 cm
1700020277-01	Dual port USB 3.0 cable 30cm with IO bracket
1703060191	KB/MS cable 1*6P-2.0/M-DIN 6P(F)*2, 19cm
1700023768-01	1x4P Phoenix to DC Jack 15cm cable
1960053207N001	LGA1150 CPU cooler for CPU TDP ≤ 65W, 92.9 (W) x 92.9 (L) x 46 (H) mm
1960060732N001	LGA1150 CPU cooler for CPU TDP ≤ 45W, 80 (W) x 80 (L) x 32.2 (H) mm
96PSA-A120W12P4	ADP A/D 100-240V 120W 12V C14 TERMINAL BLOCK 4P

Embedded OS/API

OS/API	Part No.	Description
windows 10	2070014479	Win10 IoT Enterprise x64 multi-language
WEB.1	2070014480	WEB.1 Industry Pro x64 multi-language

Riser Card

Part Number	Description
AIMB-RF10F-01A1E	1U riser card with 1 PCIe16 expansion
AIMB-RF20F-02A1E	2U riser card for 1xPCIex16 to 2 PCIe16 (both Lane are PCIeX8 only)

** compliant with AIMB-275G2/VG (Q170) sku only