

AIM-68

10.1" Industrial Tablet with Intel® Atom™ Processor



Features

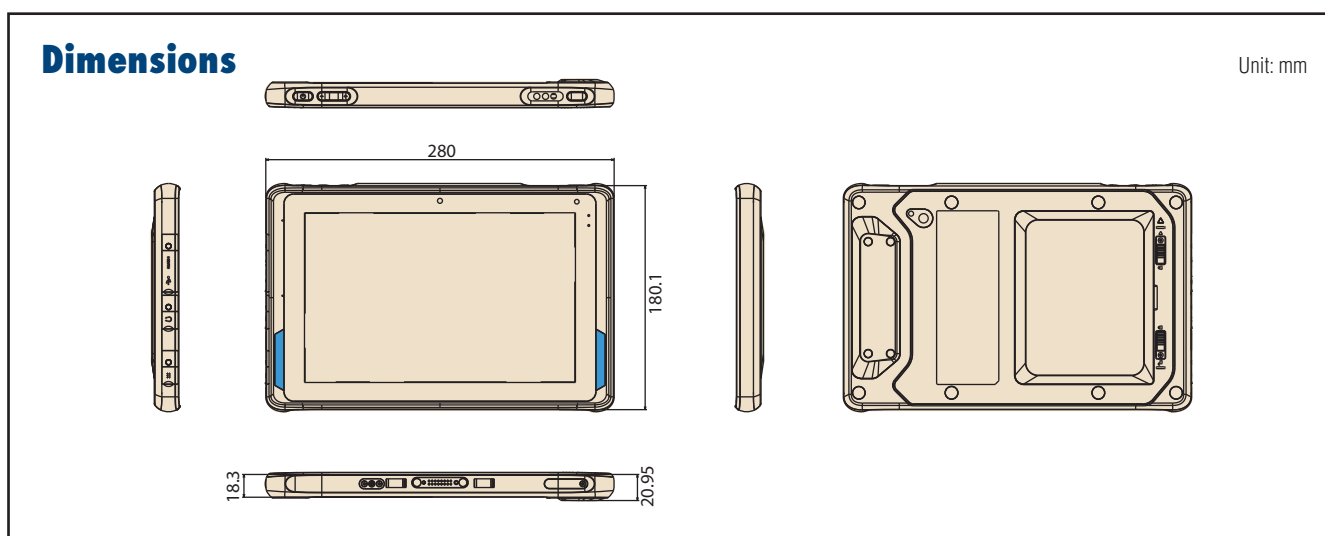
- Intel® Atom™ processor for Windows 10 IoT & Android 6.0 operating systems
- 10.1" WUXGA full HD display with scratch-resistant Corning® Gorilla® Glass 3 and multi-touch PCAP control
- WLAN, BT, NFC & 4G LTE technologies for seamless communication
- Optional docking stations include vehicle, VESA, and desk docking stations
- Optional extension modules such as 1D/2D barcode scanners and LAN+COM module
- Optional accessories include the stylus, hand strap, and shoulder strap
- Additional modules and accessories can be customized according to application requirements



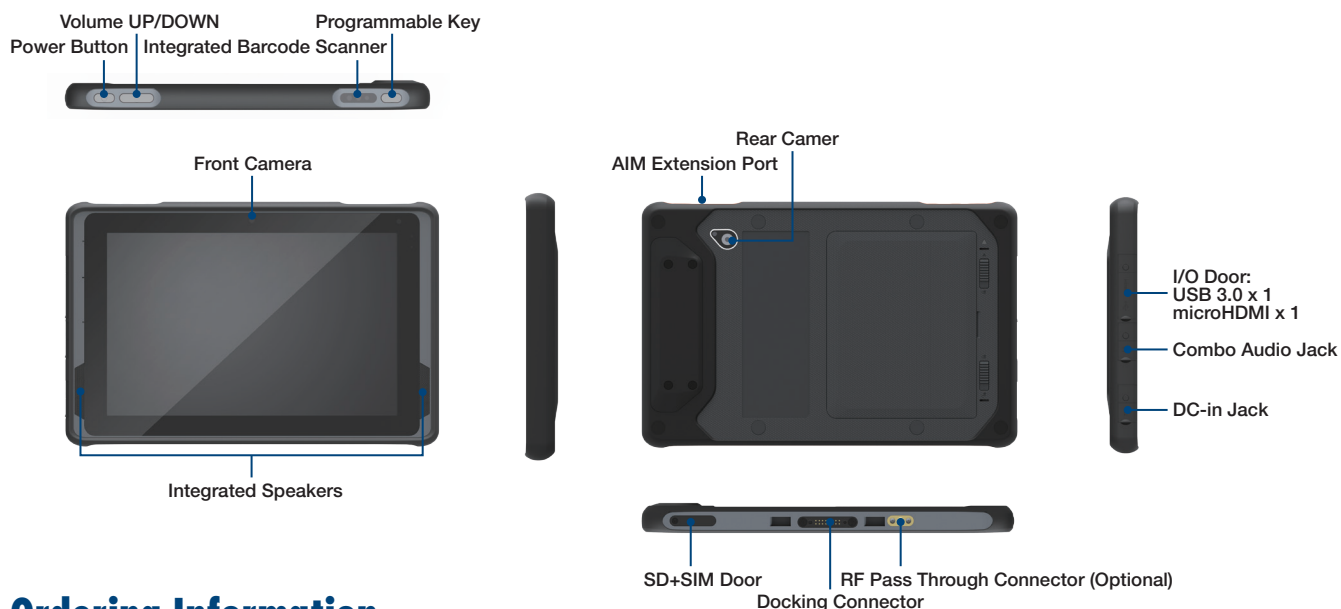
Specifications

System	Processor	Intel® Atom™ x7-Z8750 quad-core, 1.6 Ghz (2M cache, up to 2.56 Ghz)
	Memory	4 GB LPDDR3 (up to 8 GB)
	OS	Windows 10 IoT Enterprise, AIM Android 6.0
Storage	eMMC	64 GB default (up to 128 GB)
	Type	10.1" FHD LCD
Display	Resolution	WUXGA 1920 x 1200
	Brightness	380/800cd/m ² (optional)
	Construction	10-Point P-CAP multiple touch Corning® Gorilla® Glass 3
Audio	Speaker	2 x internal speaker(2W)
	Audio Jack	1 x audio combo jack, Combination of stereo audio output and mono microphone input
	Camera	2.0-megapixel auto-focus camera
Sensors	Rear	5.0-megapixel auto-focus camera with LED flash
	Ambient Light Sensor, G-sensor / eCompass	
Barcode Scanner	Barcode Scanner (Optional)	Integrated 1D/2D barcode scanner
	Standard I/O	1 x Micro HDMI, 1 x USB 3.0, 1 x Combo audio jack, 1 x 19 Vdc-in jack, 1 x SIM card reader, 1 x Micro SD card reader
I/O Interface	Extended I/O	1 x AIM module pogo pin connector at rear, supporting AIM extension modules
	Docking	1 x 16 pin pogo pin connector
	Buttons	1 x Power button, 2 x Volume keys (Up/Down), 1 x Programmable key
	LED Indicator	Full: Green (100%), Charging: Blue, Low: Red (≤10%)
Wireless Communication	WLAN/Bluetooth	IEEE 802.11a/b/g/n/ac, Bluetooth® v4.1
	WWAN (Optional)	4G LTE module with AGPS
	NFC	13.56 MHz
GNSS	Satellite System (Optional)	Standalone GPS supports GLONASS, Beidou
	Power Adapter	Input: 100-240 V ~ 1.5 A 50/60 Hz, Output: 19 V, Max.65 W
Power System	Battery	Hot-swappable smart battery with capacity LED indicators, Capacity: 26 W/hr Operating time: Approx. 6 hrs operation (depends on user scenarios)*, Charging time: < 3 hrs
	Dimensions (W x D x H)	280 x 18.3 x 180.1 mm (11 x 0.7 x 7.1 in)
Environment	Weight	Approx. 980 g (2.2 lb)
	Operating Temperature	-10 ~ 50 °C (14 ~ 122 °F)
	Storage Temperature	-20 ~ 70 °C (-4 ~ 158 °F)
	IP Rating	IP65
	Shock	Operating: 10~20 G, 11 ms, Non-operating: 50 G, 11 ms
	Vibration	Operating: (5~500 Hz) 0.5~1 G, Non-Operating: (5~500 Hz) 0.04 PSD
	Humidity	Operating: 10 ~ 90% @ 40 °C non-condensing Storage: -10 ~ 95% non-condensing
	Altitude	Operating: sea level 0 to 3048m (10k ft), Storage: sea level 0 to 12192m (40k ft)
	Drop Tested	Handling drop: 120 cm
	Certifications/Safety/EMC	CE, CB, VCCI, UL60950 (ITE), UL2054, UN38.3, IEC62133, PSE for battery pack, FCC ID/PTCRB/R&TTE/SRRC/TELEC, FCC15 Class B, CE Mark (DOC Class B), REACH, RoHS

*: Approximate time. Battery operation and recharge times will vary based on many factors, including screen brightness, applications, features, power management, battery conditioning and other customer preferences.



Front/Rear/Side I/O View



Ordering Information

Part Number	CPU	Memory	Storage	LCD	Barcode	NFC	WiFi/BT	LTE+GPS	WiFi Pass through	F-Camera	R-Camera	OS
AIM-68CT-C2101000	Intel CHT I Z8750	4GB	64GB	380 nits	X	V	V	X	X	2M	5M	Win 10 IoT enterprise
AIM-68CT-C21B1000	Intel CHT I Z8750	4GB	64GB	380 nits	V	V	V	X	X	2M	5M	Win 10 IoT enterprise
AIM-68CT-C2103000	Intel CHT I Z8750	4GB	64GB	380 nits	X	V	V	V (NA)	X	2M	5M	Win 10 IoT enterprise
AIM-68CT-C2105000	Intel CHT I Z8750	4GB	64GB	380 nits	X	V	V	V (EU)	X	2M	5M	Win 10 IoT enterprise

Optional Accessories

Part Number	Description
1700001947	Power Cord UL 2P 7A 125V 183cm
1700002141	Power Cord PSE 2P 7A 125V 183cm
1700008972	Power Cord CCC 2P 2.5A 250V 183cm
1700001948-11	Power Cord EU 2P 2.5A 250V 183cm

For sales inquiries or further information, please contact us: Mobile@advantech.com.tw

AIM-VEH10

Vehicle Docking Station for AIM-68 Industrial-Grade Tablet



Features

- Compatible with 9 ~ 32 V_{DC} in-vehicle power supply
- Easy and instant single-handed docking and undocking
- Anti-theft locking mechanism
- External GPS antenna
- Programmable function keys
- High-density connectors
- Compliant with SAE J1455 for vibration and shock tolerance
- Safe and reliable design for vehicle applications

CE FCC CCC

Specifications

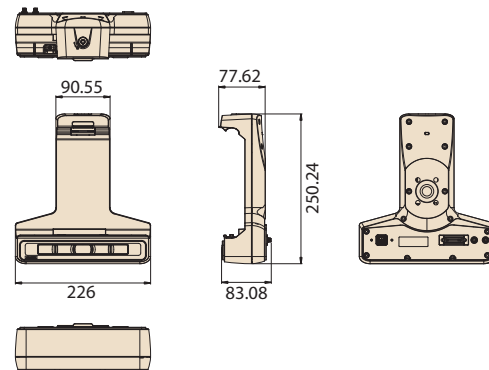
		Fully Configured Unit	Charging Dock Only
I/O	High-Density Connector	1 x CAN bus (supports raw CAN, J1939, OBD-II/ISO 15765) with configurable firmware	
		5 x Digital inputs	
		1 x Odometer (supports dry and wet contact) with configurable and switchable firmware (default wet contact)	
		2 x Digital outputs (supports speed pulse)	N/A
		1 x RS-232 (4 wire)	
		1 x RS-232/485 (2 wire) (default RS-485, termination enabled)	
		1 x USB 2.0	
		1 x Power input 12 V 1 A	
		1 x RF pass through (Optional)	
GPS	GPS Extended	1 x External GPS antenna	N/A
Function Keys		5 x Programmable function keys	N/A
Key Lock		Anti-theft key lock (key can be removed)	N/A
Power	Input Voltage	Supports 12/24 V vehicle power (9 ~ 32 V _{DC} input range)	
Mechanical	Dimensions (W x D x H)	226 x 78.6 x 250.24 mm (8.9 x 3.1 x 9.9 in)	
	Weight	0.5 kg (1.10 lb) (TBD)	
Environment	Operating Temperature	-10 ~ 50 °C (14 ~ 122 °F); 0 ~ 40 °C (32 ~ 104 °F) for charging	
	Storage Temperature	-30 ~ 80 °C (-22 ~ 176 °F)	
	IP Rating	IP54	
	Vibration/Shock	SAE J1455	
	Safety	UL, CB, LVD, CCC	
	Car Power Regulation	E-Mark, ISO7637-2	
	Certifications	CE, FCC, CCC	

Ordering Information

Part Number	Description
TBD	AIM vehicle docking station (full configuration)
TBD	AIM vehicle docking station (charging only)
1700026766-01	High-density cable
PWS-770-GPSAN00E	External GPS antenna
1700027666-01	Vehicle power cable (test only)
1700027665-01	Vehicle power cable (vehicle battery)

Dimensions

Unit: mm



AIM-VSD

VESA Docking Station for AIM-68



Features

- 9 ~ 32 V wide input voltage range
- VESA (75 x 75 mm)-compliant docking stations
- -10 ~ 50 °C (14 ~122 °F) operating temperature
- Reliable docking connector for office applications

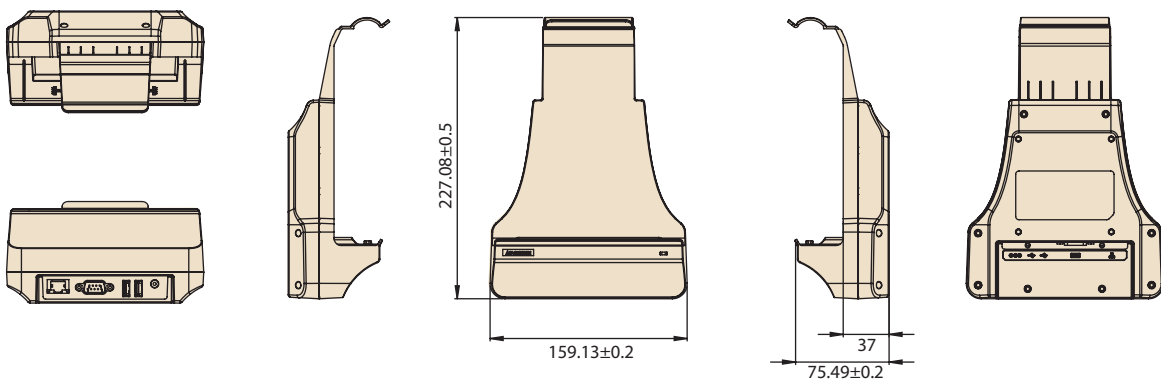
CE FCC

Specifications

		VESA Advanced Docking Station	VESA Docking w/ USB
I/O		2 x USB 3.0/2.0 1 x RS-232 COM 1 x Gigabit LAN 1 x Power jack	2 x USB 2.0 1 x Power jack
Stand		N/A	N/A
Power	Input Voltage	9 ~ 32V	19V
Mechanical	Dimensions (W x D x H)	159.13 x 75.49 x 227 mm (6.3 x 2.9 x 8.9 in)	159.13 x 75.49 x 227 mm (6.3 x 2.9 x 8.9 in)
	Weight	0.282 kg (0.62 lb)	0.28 kg (0.61 lb)
Environment	Operating Temperature	-10 ~ 50 °C (14 ~122 °F); 0 ~ 40 °C (32 ~104 °F) for charging	-10 ~ 50 °C (14 ~122 °F); 0 ~ 40 °C (32 ~104 °F) for charging
	Storage Temperature	-20 ~ 70 °C (-4 ~ 158 °F)	-20 ~ 70 °C (-4 ~ 158 °F)
	Safety	UL, CB, LVD, CCC	UL, CB, LVD, CCC
	Certifications	CE, FCC, CCC	CE, FCC, CCC

Dimensions

Unit: mm



Ordering Information

Part Number	Description
AIM-VSD0-0470	AIM 10 VESA Advanced Dock
AIM-VSD0-0471	AIM 10 VESA Dock with USB

AIM-DDS

Desk Docking Station for AIM-68



Features

- -10 ~ 50 °C (14 ~ 122 °F) operating temperature
- Reliable docking connector for office applications

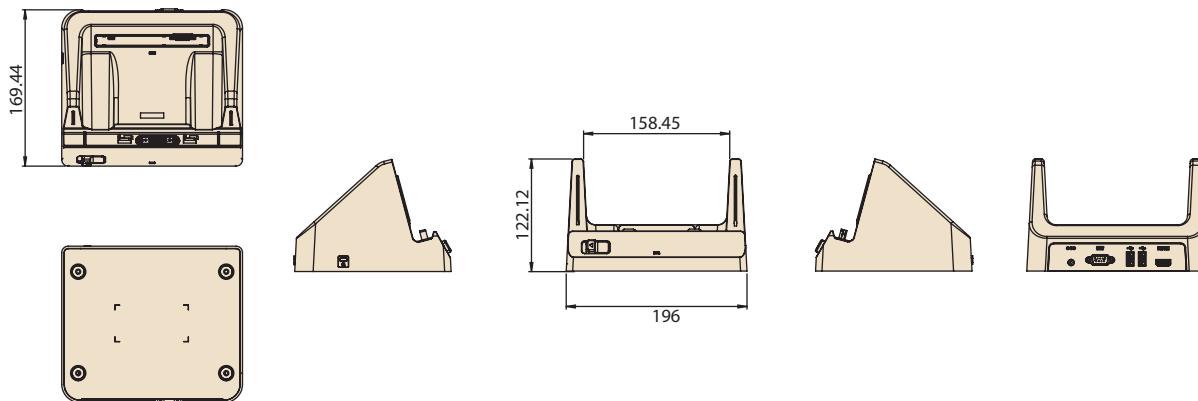
CE FCC CCC

Specifications

		Desk Advanced Docking Station	Desk Docking Station
I/O		2 x USB 2.0 1 x RS-232 COM 1 x Power jack 1 x HDMI	2 x USB 2.0 1 x Power jack
Power	Input Voltage	19V	19V
Mechanical	Dimensions (W x D x H)	196 x 169.44 x 122.12 mm (7.72 x 6.67 x 4.81 in)	196 x 169.44 x 122.12 mm (7.72 x 6.67 x 4.81 in)
	Weight	0.745 kg (1.64 lb)	0.73 kg (1.60 lb)
Environment	Operating Temperature	-10 ~ 50 °C (14 ~ 122 °F); 0 ~ 40 °C (32 ~ 104 °F) for charging	-10 ~ 50 °C (14 ~ 122 °F); 0 ~ 40 °C (32 ~ 104 °F) for charging
	Storage Temperature	-20 ~ 70 °C (-4 ~ 158 °F)	-20 ~ 70 °C (-4 ~ 158 °F)
	Safety	CE, FCC, CCC	UL, CB, LVD, CCC
	Certifications	UL, CB, LVD, CCC	CE, FCC, CCC

Dimensions

Unit: mm



Ordering Information

Part Number	Description
AIM-OFDO-0480	AIM 10 Desk Advanced Docking Station
AIM-OFDO-0481	AIM 10 Desk Docking Station

AIM-MCS

Multi-Battery Charging Station



Features

- Can charge up to 4 batteries simultaneously
- Overcurrent and overvoltage protection provided
- LED indicators for monitoring charging status

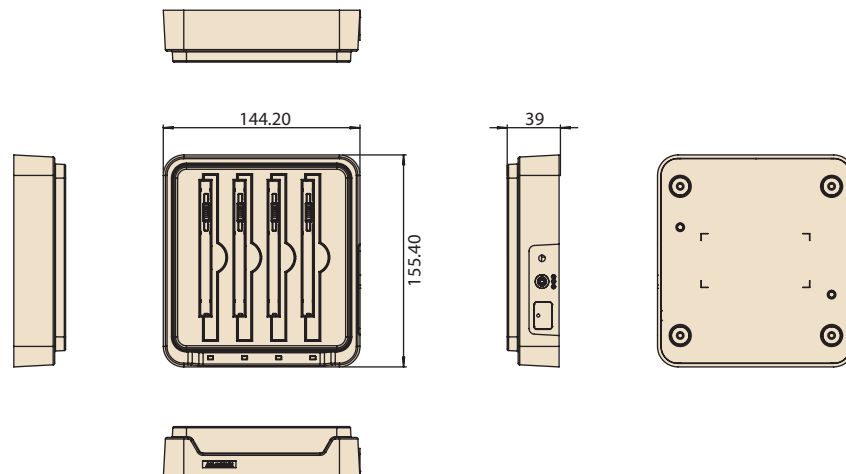


Specifications

		Multi-Battery Charging Station
Capacity	Number of Bays	4
	Charging Current	1 A
Power	Charging Voltage	12.6 V
	Input Voltage	19 V
	LED Indicators	Green: Full Amber: Charging Red: Error
Mechanical	Dimensions (W x D x H)	144.2 x 155.4 x 39 mm (5.7 x 6.1 x 1.5 in)
	Weight	0.48 kg (1.05 lb)
	Operating Temperature	0 ~ 40 °C (32 ~ 104 °F)
Environment	Storage Temperature	-10 ~ 50 °C (14 ~ 122 °F)
	Safety	UL, CB, LVD, CCC, RCM
	Certifications	CE, FCC, CCC, RCM, BSMI

Dimensions

Unit: mm



Ordering Information

Part Number	Description
AIM-MBC0-0051	Multi-Battery Charging Station for AIM

AIM-68 Extensions and Accessories

Extension Modules

Barcode Scanner (20°)



Barcode Scanner (70°)



LAN + COM



UHF RFID Reader



Part Number	AIM-EXT0-0040	AIM-EXT0-0041	AIM-EXT0-0046	AIM-EXT0-0047
Color	Black	Black	Black	Black
Dimensions	130.2 x 38.7 x 27.8 mm (5.13 x 1.52 x 1.09 in)	130.2 x 38.7 x 32 mm (5.13 x 1.52 x 1.26 in)	130.2 x 70 x 29 mm (5.13 x 2.76 x 1.14 in)	130.2 x 70 x 45 mm (5.13 x 2.76 x 1.77 in)
Weight	0.042 kg (0.092 lb)	0.042 kg (0.092 lb)	0.078 kg (0.171 lb)	0.08 kg (0.176 lb)

Accessories

Hand Strap



Shoulder Strap



Active Stylus



Battery with Meter



Part Number	AIM-SRP0-0000	AIM-SRP0-0001	AIM-P704	AIM-BATO-0452
Color	Black	Black	Black	Black
Dimensions	240 x 20 mm (9.44 x 0.78 in)	380 x 135 x 20 mm (14.96 x 5.31 x 0.78 in)	140 x 9.7 mm (5.51 x 0.38 in)	120 x 87 x 7.5 mm (4.72 x 3.43 x 0.30 in)
Weight	0.022 kg (0.048 lb)	0.05 kg (0.11 lb)	0.02 kg (0.044 lb)	0.147 kg (0.324 lb)