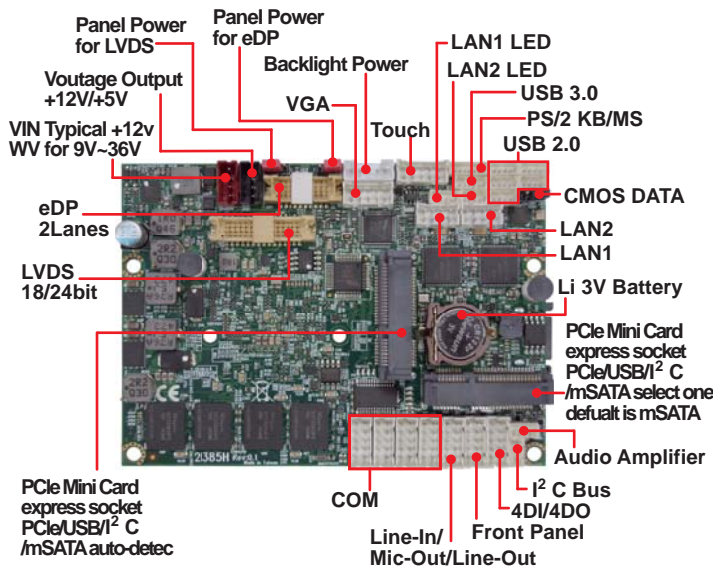


21385HW Series



- ▶ Intel® Bay Trail-I E3825 / E3845 CPU, Pico-ITX 2.5" SBC, On Board DDR3L Memory, VGA, LVDS (or eDP option), 2 x Gb Intel Ethernet, 2 x Mini PCIe, 5 x USB , 4 x COM, Touch Screen

▶ Features

- Embedded Intel® Bay Trail-I E3825 / E3845 CPU / Chipset
- On Board 2GB / 4GB DDR3L, LVDS (or eDP option), VGA, HD Audio, 4 x COM
- 2 x Intel GbE LAN, 4 x USB 2.0, 1 x USB 3.0
- 2 x Mini PCIe

Specification:

MODEL	21385HW
CPU Type	Bay Trail-I E3825 1.33GHz (Dual core processor) Bay Trail-I E3845 1.91GHz (Quad core processor)
MB Chipset	Intel Bay Trail-I E3825 / E3845 chipset
BIOS	Insyde UEFI BIOS
Graphics	Intel's 7th generation (Gen 7) graphics and media encode / decode engine, Supports DX*11, OpenGL 3.0 (OGL 3.0), OpenCL 1.2 (OCL 1.2), OpenGLES 2.0
System Memory	On Board 2GB / 4GB DDR3L ; 1066 MHz for E3825, 1333 MHz for E3845
LVDS	Supports 24bits / 2 channel LVDS up to 1920 x 1080 resolution; or optional to eDP output
Touch Screen	COM interface Touch screen controller
SATA	1 x SATA ports 2.0 Data transfer rates up to 3.0 Gb/s (300 MB/s)-(Share with Full Size mSATA) 2 x mini card socket for mSATA ;
Audio	High Definition Audio Specification, Support Line-out / Mic-in
Audio Amplifier	Two channel Class D Audio Amplifier ; 2.57W / Ch (Typ.) into a 4ΩLoad, 1.46 W / Ch (Typ.) into a 8ΩLoad
LAN	2 x Intel 10 / 100 / 1000 Mbps
IO Function	4 x RS232 (1 x optional to RS422 / 485) (3 x optional to RS485)
USB	1 x USB3.0 ; 4 x USB 2.0 internal wafer
DIO & WDT	Hardware digital Input & Output, 4 x DI / 4 x DO Hardware Watch Dog Timer, 0~255 sec programmable
PS2 KB/MS	PS2 KB / MS Wafer connector
Expansion Interface	1 x Full size Mini card for PCIe / USB / mSATA interface 1 x Half size PCIe Mini card for USB / mSATA interface
Power	DC-in +12V (Option) ; Wide Range DC-in +9~36V
Dimension	102 x 73 mm (Pico-ITX 2.5 inch)
Operation Temperature	-20°C ~ 70°C
Operation Humidity	5 ~ 95%, non-condensing