



Assembly Instructions

CF740 Vogue St/St 35mm deep Cutting Board Table



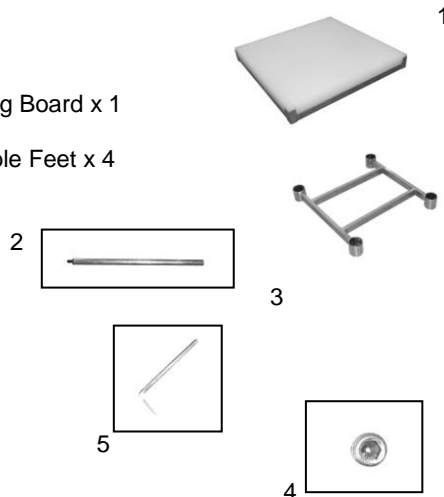
Safety Tips

·Whilst all care has been taken to remove sharp edges, care must be taken when cleaning or handling to prevent risk of injury from exposed metal edges.

·Do not overload the table top or shelf causing it to bend.

Parts List

1. Stainless Steel table with Chopping Board x 1
2. Stainless Steel Legs with Adjustable Feet x 4
3. Stainless Steel Frame x 1
4. Grub Screws x 12
5. Allen Key x 1



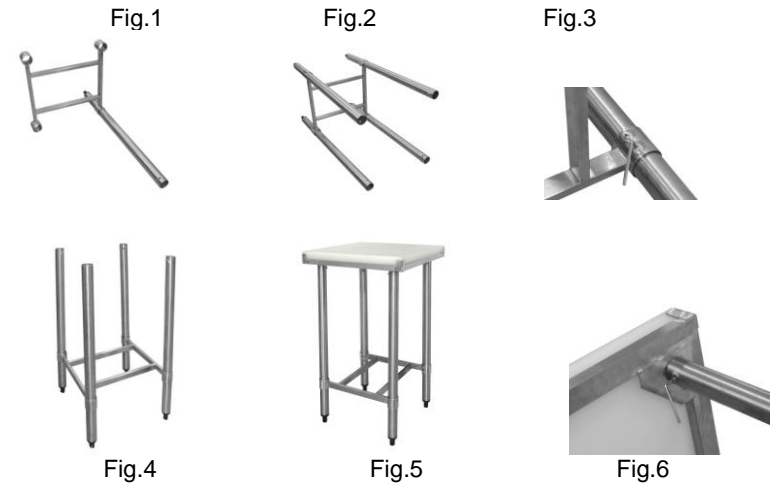
Assembly

1. Place the Stainless Steel Frame on it's side on the floor.
 2. Insert the leg into the sockets situated at each corner of Stainless Steel Frame, lining up the socket with the line marked on the leg. [Fig.1]
 3. Use grub screws to loosely fix the Stainless Steel Frame to the legs, then stand upright [Fig.2,3 and 4]
 4. Position the Chopping Board onto the legs, ensuring each leg is firmly located in its corresponding corner socket [Fig.5]
 5. Fix the Chopping Board in place using the remaining grub screws. Ensure the Chopping Board is both level and securely fixed [Fig.6]
- The Chopping Board is reversible when necessary.



Note: Adjust the feet if necessary to level the table.

6. Before using for the first time VOGUE recommend the table is cleaned thoroughly with a suitable cleaning agent. Remove all cleaning residues and dry thoroughly.



Cleaning

- Clean the table regularly using a cleaning agent suitable for use with stainless steel surfaces.
- Always remove cleaning agents residues, this can discolour the surface.
- Never leave any surface damp as this may cause discolouration.

Note: Be sure to check all packaging materials for any small parts that may have come loose during transportation