

OPERATING INSTRUCTION
FOR
UPRIGHT FREEZER



Dear customer

Please be sure to read this operating manual carefully before putting your new refrigerated cabinet into use. The manual contains important notes on safety and proper installation, use and maintenance of the plug-in refrigerated cabinets.

Please keep the manual ready for reference and hand it over to any future new owner of the cabinets.

Make sure the manual is read by all staff who may work with the merchandiser and that they understand and observe the contents

Should you or your staff be unable to understand any instruction in this manual, please contact your Service Organization,



We would point out that the refrigerated cabinet is occasionally referred to on the following pages with options which do not form part of the standard equipment.

How to use this operating manual

The illustrations are numbered separately in each section (e.g. fig. 3).

Reference to an illustration in the text is shown in brackets with the first digit indicating the no. of the figure and the second, separated from the first by a hyphen, indicating the position in that figure.

Example: (4-2) means fig. 4, position 2.

Important information is marked by pictograms:



indicates working and operating procedures which must be strictly observed to rule out any risk to people.



indicates working and operating procedures which must be strictly observed to avoid any damage to or destruction of the cabinet.



indicates useful information and recommendations for operation.

Note for delivery



On arrival, first inspect the refrigerated cabinet for any damage sustained in transit. All such damage must be reported immediately to the your Service Organization.

Contents

Section	Title	Page
1	Proper use	4
2	Safety regulations	4
3	Installation	5
3.1	Selecting the place of installation	5
3.2	Stand-alone installation	6
3.3	Siting the cabinet	7
3.4	Installation procedure	7
3.5	Requirements for electrical connection	8
4	Starting	9
4.1	Measures prior to starting	9
4.2	Setting into operation	9
5	Setting the storage temperature	10
5.1	Information on the product temperature	10
5.2	Setting the temperature set point	10
6	Product loading and pricing	10
6.1	Loading the cabinet with products	10
7	Evaporator defrosting	10
8	Cleaning	11
8.1	Cleaning the outer casing	11
8.2	Cleaning the internal surfaces	11
9	Maintenance	12
9.1	Cleaning the condenser	12
10	Shut down	13
11	Troubleshooting	14
12	Environment protection and disposal notes	15
13	Regulations, standards, codes	15
14	Specifications	16
15	Drawings	16

1 Proper use

The refrigerated cabinets UFR as described in this operating manual are particularly intended for frozen foods.

Do not load the refrigerated cabinet with non refrigerated products or use it to cool products. Proper use only means the use as described above, adhering to the specifications on installation, connection, operation and service. Any other use is regarded as being contrary to specification and is prohibited.

2 Safety regulation



The plug-in refrigerated cabinets as described in this operating manual are designed and manufactured in compliance with the international safety regulations. Like any electrical appliance, it must be handled with all due care, particularly with consideration to ensuring electrical safety.



WARNING !

To ensure safe operation in all service conditions, the following safety precautions must be observed:

- The power plug must be connected in regulation matter and as instructed in this manual.
- If the power cable is damaged it has to be replaced by a qualified electrician or a person with experience in electrical engineering through a cable available from the manufacturer or Service Organization.
- Contact your Service Organization if you are in any doubt about electrical connection, working or safety of your plug-in refrigerated cabinet.
- Remove the cabinet from use if it is not working properly or exhibits any damage. Disconnect the power plug, transfer the merchandise to other cabinets or a cold-room and call your local Service Organization.
- When disconnecting the power plug, always pull on the plug itself and never the cable.
- Never detach any cover except where specifically instructed in this manual. Doing so might expose live electrical parts.
- If any damage occurs to the power cable, pull the plug to disconnect the cabinet.
- Never use a water hose or high-pressure jet to clean the cabinet.
- All work on electrical equipment must be left to a qualified electrician. Safety first!
- Never connect the cabinet to the power supply if it is damaged (in transit or otherwise). When in doubt, contact your Service Organization or dealer.
- Please pay attention to the maximum load limits when filling the display shelves or compartments with merchandise! See Chapter 15 Specifications!
- Electronic elements may only be replaced by a qualified electrician or person with experience in electrical engineering!
- This appliance is not intended for use by persons (including children) with reduced physical, sensory or mental capabilities, or lack of experience and knowledge, unless they have been given supervision or instruction concerning use of the appliance by a person responsible for their safety.
- Children should be supervised to ensure that they do not play with the appliance.
- If the supply cord is damaged, it must be replaced by the manufacturer, its service agent or similarly qualified persons in order to avoid a hazard.



WARNING !

Only for R600a and R290 refrigerant cabinet

- **This Refrigerator contains R600a or R290 flammable refrigerant. Keep clear of obstruction all ventilation openings in the appliance enclosure or in the structure for building-in (IEC/EN 60335-2-89:2002)**
- **Do not use mechanical devices or other means to accelerate the defrosting process, other than those recommended by the manufacturer (IEC/EN 60335-2-89:2002)**
- **Do not damage the refrigerant circuit (IEC/EN 60335-2-89:2002)**
- **Do not use electrical appliances inside the food storage compartments of the appliance, unless they are of the type recommended by the manufacturer (IEC/EN 60335-2-89:2002)**

- Appliances which use flammable insulation blowing gases, instructions shall include information regarding disposal of the appliance (IEC/EN 60335-2-89:2002)
- In order to reduce flammability hazards the installation of this appliance must only be carried out by a
- suitably qualified person (IEC/EN 60335-2-89/A1:2005)

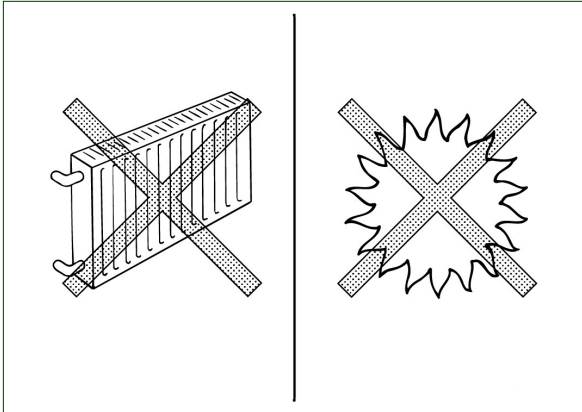


Fig. 1

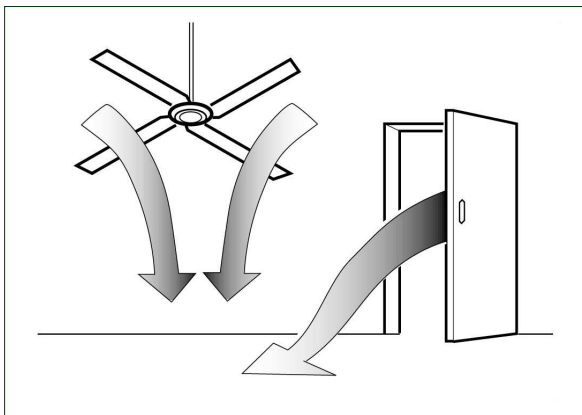


Fig. 2

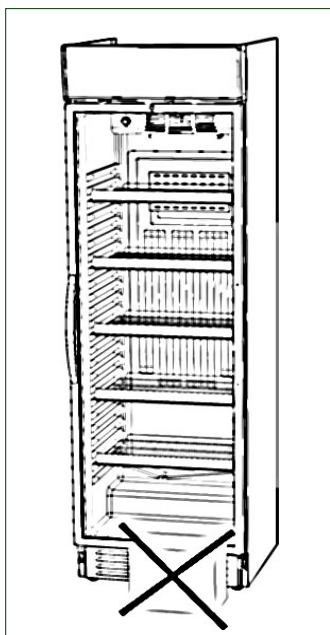


Fig. 3

3. Installation

3.1 Selecting the place of installation

In selecting the place of installation, ensure that the following instructions are observed, this being vital for proper and troublefree working of the cabinet:

- Do not install the cabinet out-doors.
- Do not install the cabinet in the vicinity of heating radiators or other heat sources. Do not install the cabinet where it is exposed to direct sun light (e.g. through windows) (fig. 1).
- Do not install the cabinet where it is exposed to drafts from ventilators or open doors (fig. 2).
- Pay attention to air outlet from air conditioners/ventilators.
- The following temperatures and air humidities apply as upper limits for the place of installation: **30 °C, 55 % rel. humidity**
- Keep the air intake and outlet area around the plinth area of the cabinet clear of cartons and other obstacles (fig. 3).
- When installing the cabinet against a wall, make sure that the refrigeration unit fan is free to take in the ambient air from the room via the plinth area and discharge it through the ventilation slots on the back.
- In the case of free-standing installation in a room, the original accessory rear wall panel must be screwed to the cabinet back.



Adhere to the specified minimum distances!

- When installing several cabinets alongside or behind one another, be sure to observe the specific installation plan.



The drip tray may over-flow in extreme ambient conditions. We thus recommend that wall and floor surfaces in the installation area be chosen so that moisture or water have no damaging effects.

Installation options are:

- Stand-alone installation against a wall or in a corner (fig. 4)



In all installation options, air exit must be unhindered through the ventilation slots in the cabinet top to exclude accumulation of heat.

Only then is trouble-free operation guaranteed.

3.2 Stand-alone installation

When the cabinet is installed as a stand-alone unit against a wall, a min. distance of 10 cm must be maintained between cabinet back and room wall to ensure free air exit on the cabinet back. When the cabinet is installed as a stand-alone unit in a corner, no minimum distance between endwall and room wall is required.

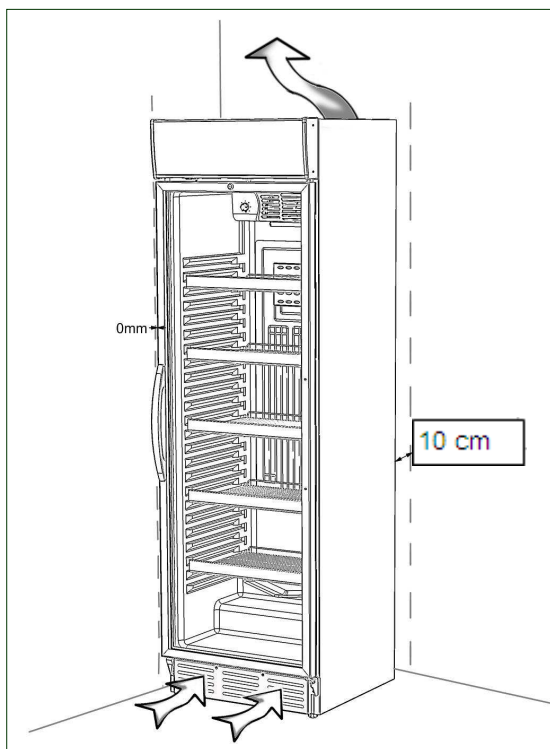


Figure 4

3.3 Siting the cabinet

The refrigerated cabinet should best be sited whilst still packed to avoid damages.



If the refrigerated cabinet cannot be sited whilst still packed because of narrow doors the packaging and transport base should be removed beforehand.

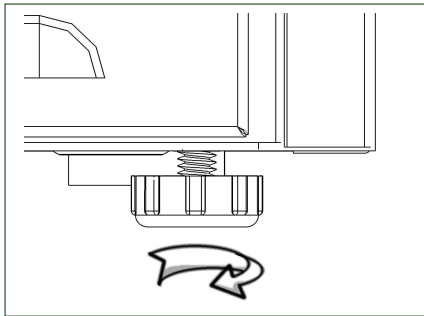


Fig. 7

3.4 Installation procedure

- Remove packaging and transport guards.



When lifting please consider the weight of the cabinet (see Specifications).

- Mount accessories as described in the specific mounting instructions.



Only use original accessories to avoid possible damage to the cabinet.

- Install cabinet at the desired location.



Observe specifications on the desired installation form.

- Perform horizontal alignment of the refrigerated cabinet on the sides and ends using a water level. If necessary, correct height alignment per hand at the leveller feet (see fig. 7):

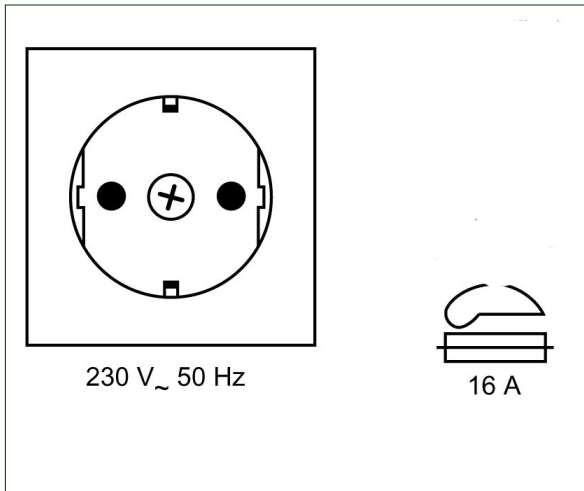


Fig. 9

3.5 Requirements for electrical connection

The cabinet is connected by inserting the power plug in a socket (fig. 9).



The cabinet must not be plugged into a multiple outlet power strip (see fig. 10).



The cabinet has no ON/ OFF switch, which is why we recommend provision of a remote load-break switch. The remote switch must disconnect all poles of the cabinet from the mains, guarantee a contact opening width of at least 3 mm and must be able to be secured against accidental reactivation. Please ask your electrician.

The socket employed must be firmly installed, properly earthed and separately fuse-protected by a 25A-circuit breaker, type C.

Supply voltage and frequency of the socket must be in accordance with the data shown on the type plate of the cabinet. Therefore, the cross-section of the wires must be increased, if necessary, for long wires to the socket. The local utility company's regulations on the power connection (e.g. earth-fault protection, additional equipotential bonding, remote control switch etc.) must be observed. If in doubt, consult a qualified electrician

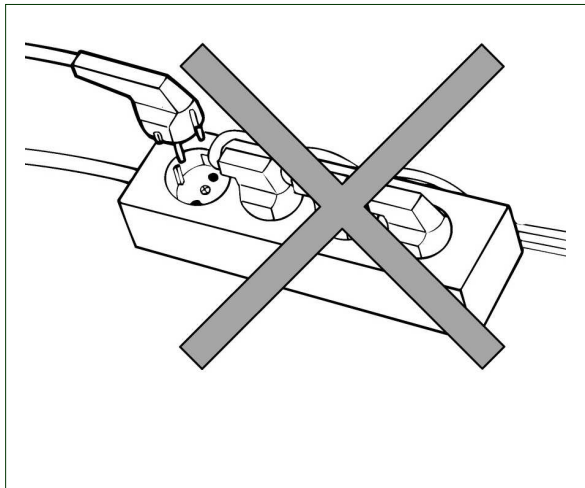


Fig. 10



Run the power cables so that they are protected from risk of damage and there is no risk of tripping (see fig. 11).



The power cable may not come into contact with parts over 70 °C.

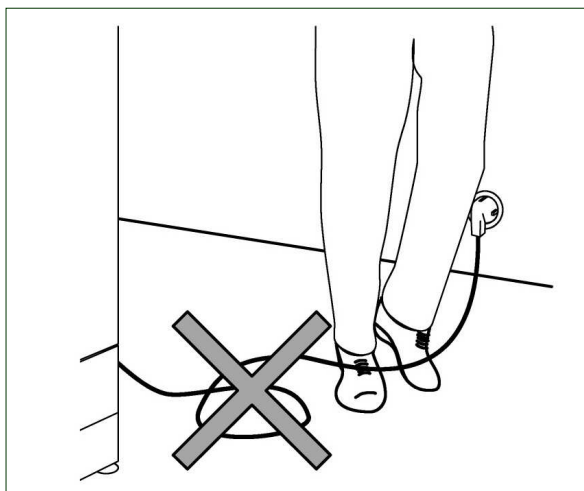


Fig. 11

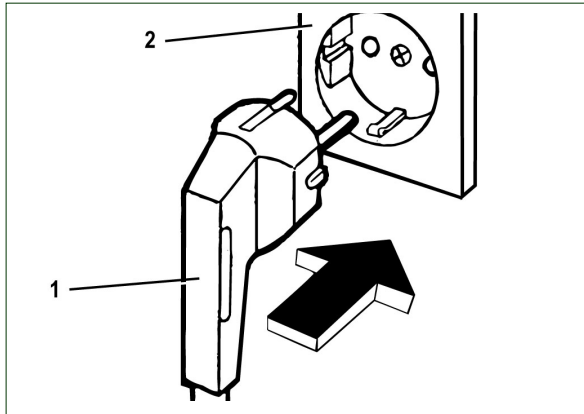


Fig. 1

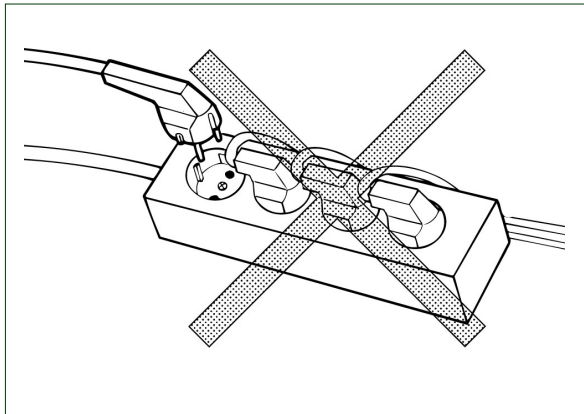


Fig. 2

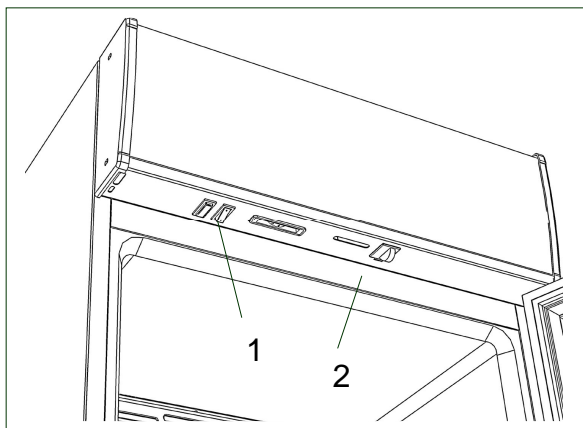


Fig. 3

4 Starting

4.1 Measures prior to starting

! *If the cabinet has been sharply tilted while being sited or for mounting of accessories it **must be left to stand for at least three hours** before being started to allow the lubricating oil to settle in the compressor! Failure to do so can cause total destruction of the compressor refrigerating system.*

4.2 Setting into operation

! *Start the cabinet only if it has been installed as described.*

- Plug power plug (1-1) in socket (1-2).

! *When selecting the socket, observe the requirements stated in section 4.6. The cabinet must not be plugged into a multiple-outlet power strip (see fig. 2).*

- Switch on remote control switch if provided.

Starting is signalled by the low running noise of fans and refrigeration systems. The fan is stopped by switch (3-2) when door is opened. (Only UFR370GD)

- Switch on cabinet lighting with switch (3-1) and (4-1) on the underside of the display superstructure.

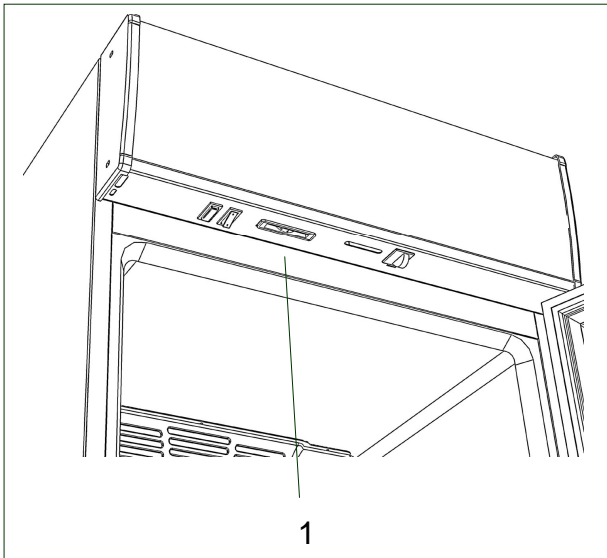


Fig. 1

5 Setting the storage temperature

5.1 Information on the product temperature

A precisely defined product temperature is stipulated for the storage of each product group in refrigerated cabinets by the legislative bodies in EU states.

This temperature range is shown on the digital thermometer.

5.2 Setting the temperature set point

The internal temperature can be regulated only with thermostat. Fig 2

Pos 1 is maximum high temperature

Pos 4 is best position for products

Pos 7 is minimum low temperature

6 Product Loading

6.1 Loading the cabinet with products



Reaching the prescribed storage temperature following the start of operation depends on the ambient temperature.

Load the display compartment with the corresponding products.(Frozen foods)
The Cabinet can be loaded only with frozen foods 3 hours after putting into operation.



Ensure that a free circulation of air is possible between the products and the display rack above them.

7 Evaporator defrosting

Defrosting is in this cabinets Manuel.

Defrosting of the ice and frost deposits that form on the evaporator and evaporation of the drip water that forms during defrosting is controlled by the user.

Defrost frequency as well as duration and time are factory-set.

8 Cleaning



Turn off power supply to the cabinet by disconnecting the power plug before cleaning. When a remote control switch is provided, this must be protected (e.g. by lock) against any unauthorised reswitching-in.



Wear safety gloves when cleaning and servicing the device (risk of injuries).



Do not use any aggressive or abrasive cleaning agents. Never use a water hose or a high-pressure jet to clean the cabinet.

Cleaning the outer casing

- Wipe the outer casing with a cotton cloth moistened with lukewarm water.

8.2 Cleaning the internal surfaces

- Remove the merchandise from the display compartment and transfer it to another storage place.



Unplug power plug.



Do not start cleaning before the internal surfaces have risen to near room temperature.



Wear safety gloves when cleaning and servicing the device (risk of injuries).

- Take accessories out of the display compartment.
- Moisten cotton cloth with luke-warm water and a little detergent. Clean display compartment and display racks.
- Carefully dry display compartment with a dry cotton cloth.
- Carefully dry all cleaned surfaces with a dry cotton cloth.



After cleaning, no humidity must remain in the display compartment.

- Replace return air grille in reverse order and screw in again. Restart cabinet.



The cabinet can be reloaded with frozen foods approx. 3 hours after putting into operation. Observe the instructions in section 7.

9 Maintenance



Turn off power supply to the cabinet by disconnecting the power plug before starting any maintenance on the cabinet. When a remote control switch is provided, it must be protected (e.g. by lock) against unauthorised reswitching-in.



Wear safety gloves when cleaning and servicing the device (risk of injuries).

9.1 Cleaning the condenser fins

The refrigerated cabinet normally requires no maintenance except for cleaning the condenser fins twice or three times a year.

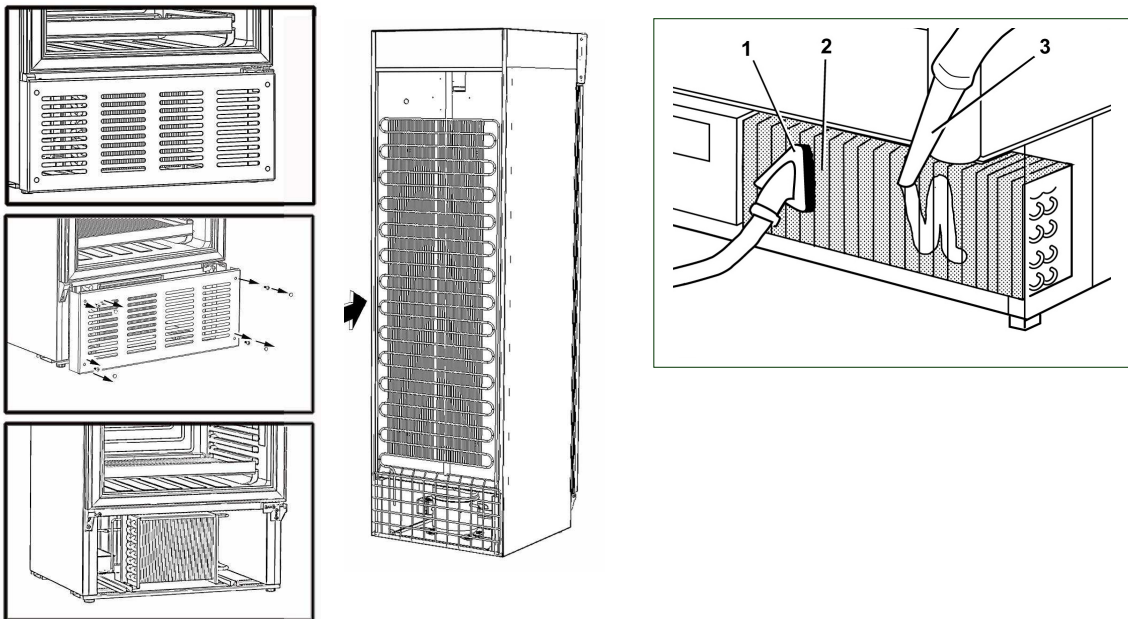
- Disconnect cabinet as described above (see section 11).



The condenser only needs cleaning when a layer of dust, fluff and the like begins to build up between the fins over the full width.



Regular cleaning of the condenser is important to saving power and avoiding unnecessary servicing.



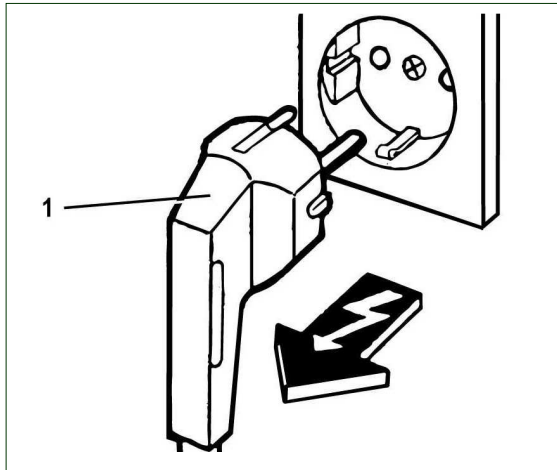


Fig. 1

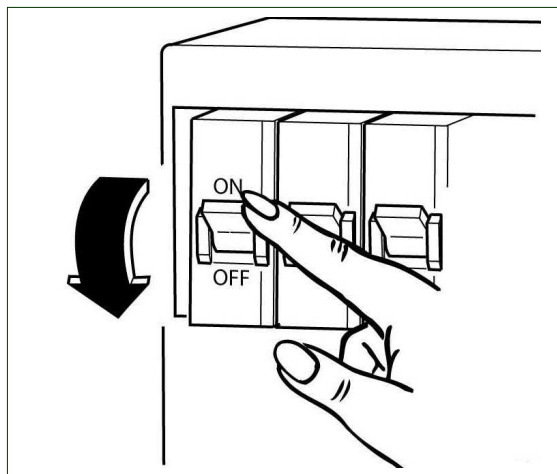


Fig. 2

10 Shut down

- Remove the merchandise from the display compartment and transfer it to another storing place.
- Unplug power plug or switch off remote control switch (fig. 1-2), if provided.

If the cabinet is to be shut down for any length of time, proceed as follows.

- Clean cabinet (see section 9).

When the cabinet is stored in a storage room:

- Cover cabinet with a cotton sheet.



Do not use plastic tarpaulins as these may encourage formation of moisture and odours inside the cabinet.

11 Troubleshooting

Any trouble occurring might be due to a minor problem that you can correct yourself following the instructions be-low. Do not try any further action if the pointers given cannot solve the problem!



Repairs on the cabinet must be made only by qualified specialists. Incompetent repair work can constitute a serious risk to you, your staff and customers, contact your Service Organization or Dealer for any repairs needed.

Trouble	Possible cause	Corrective measure	see
Cabinet does not work (no audible running noise or only fan noise audible).	Power plug not connected or remote control switch (where provided) switched off. Fuse blown, power plug or socket defective. Condenser fins fouled.	- Insert power plug properly or switch remote control switch on. - Contact your electrician or the Service Organization. - Perform maintenance.	Sect. 5 Sect. 10
Storage temperature is too high.	Ambient temperature too high or thermostat misadjusted. Distance to wall not adhered. Ventilation slots blocked or covered. Lack of air intake due to obstruction of air intake grille. Condenser fins fouled.	- Avoid extreme operating environment, readjust storage temperature. - Maintain prescribed min. distance. - Keep ventilation slots free. - Remove any obstacles in the air intake area. - Perform maintenance.	Sect. 6 Sect. 4 Sect. 4 Sect. 4 Sect. 10
Storage temperature is too low.	Misadjustment	- Adjust storage temperature in small increments.	Sect. 6
Cabinet lighting failed partly or completely.	Lighting not switched on. The lamp concerned or the starter is defective.	- Switch lighting on. - Replace lamp or starter.	Sect. 5 Sect. 10
Heavy condensation in display compartment and on glass door.	Extreme ambient temperature (e.g. rel. air humidity > 65 %, very high summer temperatures).	- Improve operating environment by providing cross ventilation. However, the cabinet must not be exposed to direct draughts.	
Water under or in front of the cabinet.	defrosting defective or extreme operating environment (e.g. rel. air humidity > 65 %, very high summer temperatures) causes overflow of drip tray in machine compartment.	- Wipe water off. If new water forms within the next 48 hours, please contact your Service Organization. - Control the heating glass connection and the transformer.	
Formation of odour in the cabinet.	Spaces under return air grille fouled.	- Clean.	Sect. 9

12 Environment protection and disposal notes

This refrigerated cabinets are designed to high standards of environmental protection and recycling convenience. Cyclopentane, an environmentally friendly foaming agent, has been in use. Cyclopentane is distinguished by zero ozone depletion potential (ODP) and zero global warming potential (GWP). The refrigerant used and contained within an hermetically tight circuit is environmentally friendly R404a R600a and R290, which does not contain chlorine and has zero ODP.

The device must be disposed of in accordance with applicable regulations. The WEEE regulations must be observed.

In the interest of preventing environmental nuisance and promoting re-use of the high-quality materials employed, used commercial refrigeration equipment must be collected for expert disposal and recycling. Therefore, observe the following disposal regulations:

- The cabinet must not be discarded with regular municipal waste.
- The refrigeration circuit must not be damaged.
- Before discarding the cabinet for disposal, make it unserviceable by disconnecting the power plug and cutting off the power cable.



Consult your local authorities or authorised the dealer for details of collection and disposal facilities.



Children are often unable to recognise the dangers associated with commercial refrigeration equipment. Proper supervision must

be maintained and children must be prevented from playing with discarded refrigerated cabinets.

13 Regulations, standards, codes

The plug-in refrigerated cabinet is intended for commercial use in the food trade and has been designed and manufactured in accordance with the standards governing such use.

In particular, it has been designed and manufactured in compliance with the provisions required under the European Equipment Safety Law (SGS), the VDE Electrical Codes and the provisions of the European EN standard for refrigerated display cabinets.

The refrigeration circuit has been subjected to leak test.



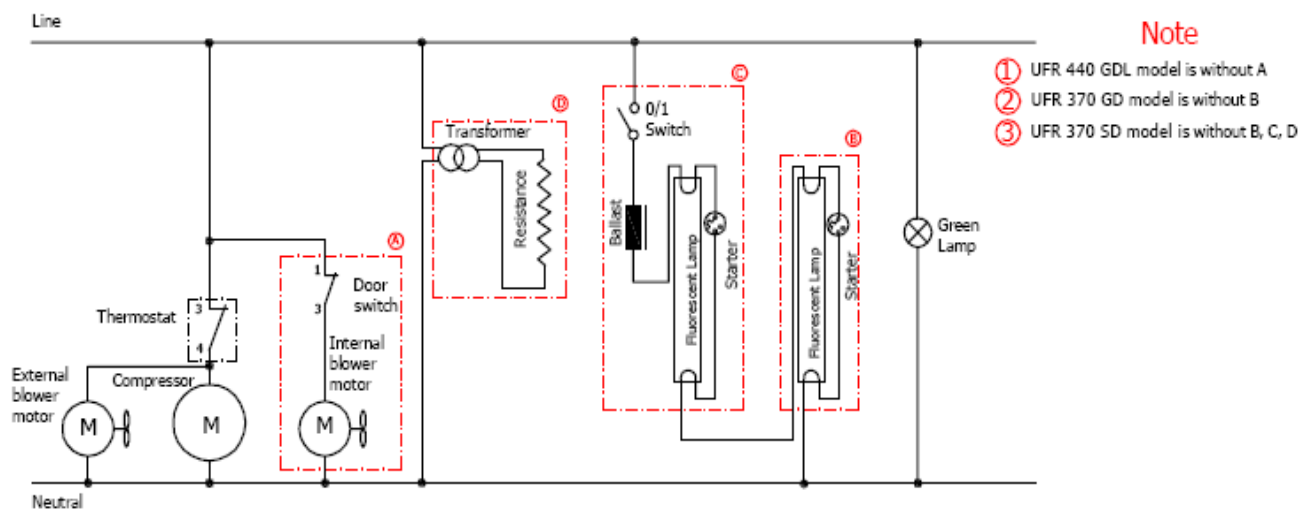
This appliance complies with EC Directive on Machinery 98/37/EC, the EC Directive on Electromagnetic Compatibility 89/336/EEC, and the EC Directive on Low Voltage 73/23/EEC.

14 Specification

Model	UFR374SD	UFR374GD	UFR374GDL	UFR440GDL
Temperature Range (°C)	-12 / -22	-12 / -22	-12 / -22	-12 / -22
Voltage (V)	230	230	230	230
Frequenze (Hz)	50	50	50	50
Net Volume (lt)	270	270	270	353
Gross volume (lt)	300	300	300	480
Width ext. / ext. packing (mm)	595 / 680	595 / 680	595 / 680	760 / 680
Depth ext. / ext. packing (mm)	640 / 710	640 / 710	640 / 710	655 / 705
Height ext. / ext. packing (mm)	1850 / 1950	1850 / 1950	1965 / 1990	2090 / 2207
Net weight (kg)	69,8	92,5	96	117
Gross weigth (kg)	79,5	102	106	130
Refrigerant	R404a	R404a	R404a	R404a
Max.load of shelf. (kg)	16	16	16	25
Elektricalfusing * (A)	16	16	16	25

*For more details see type plate

15 Electrical Drawings



UFR 440, GDL 370 GDL-GD-SD WIRING DIAGRAM

Code No: 15.12.0069.01