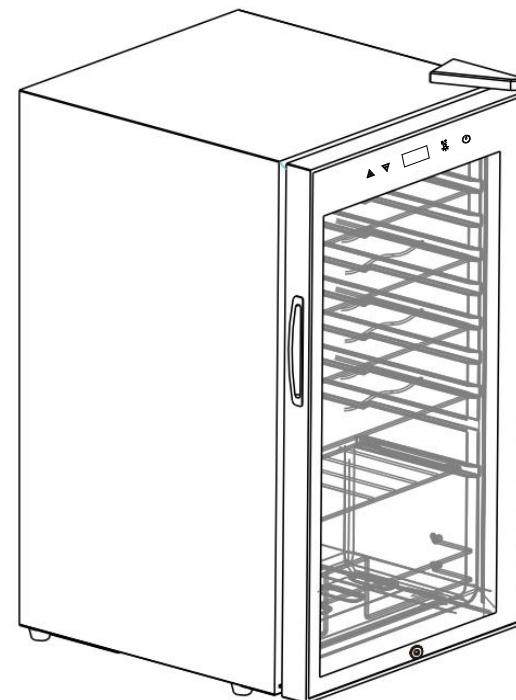


INSTRUCTION MANUAL

COMPRESSOR WINE COOLER



MODEL:YH-24A

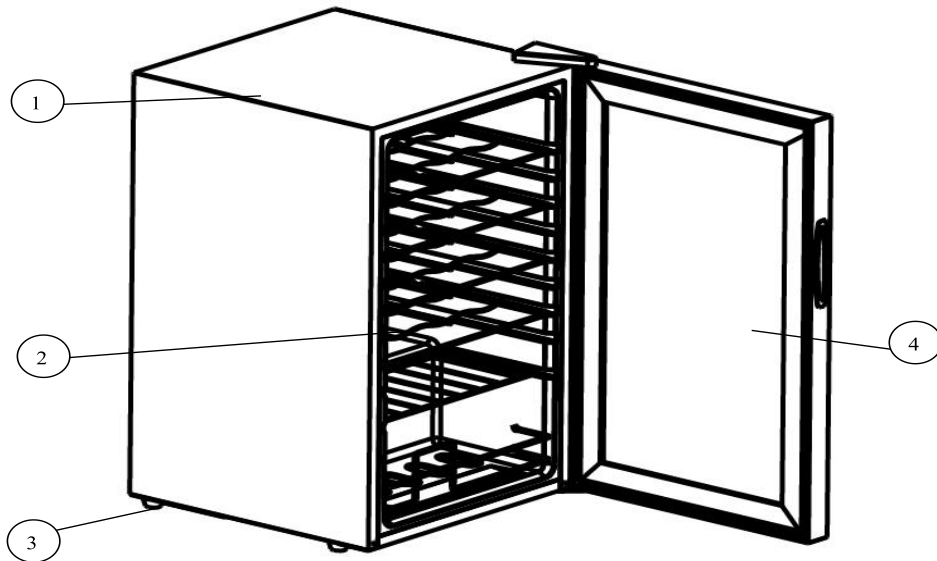
Read this manual and follow all safety rules and operating instructions before first use of this wine cooler.

Vibrations.	The cooler is not leveled The bottles are vibrating. There is an object under the chiller.	Check to assure that the cooler is level. Make sure the bottles don't touch each other. Remove the object.
The cooler seems to make too much noise.	The cooler is not level.	Level the chiller. The rattling noise may come from the flow of the refrigerant, which is normal. As each cycle ends, you may hear gurgling sounds caused by the flow of refrigerant in your chiller. Contraction and expansion of the inside walls may cause popping and crackling noises.
The door will not close properly.	The cooler is not level. The door was reversed and not properly installed. The gasket is dirty. The shelves are out of position.	Level the chiller. Close the door properly. Clean the door gasket. Place the shelves properly.

Contents

1. Product Structure:	3
2. Safety Instructions:	4
3. Electrical connection:	4
4. Installation:	5
5. Operation Instructions:	5-6
6. Care&Maintenance:	7
7. Troubleshooting Guide	8-9


1. Product Structure:



- (1) Cabinet
- (2) Metal shelves
- (3) Leveling Legs
- (4) Glass door

7. Troubleshooting Guide

You can solve many common wine cooler problems easily, saving you the cost of a possible service call. Try the suggestions below to see if you can solve the problem before calling the servicer.

PROBLEM	POSSIBLE CAUSE	SOLUTION
Cooler does not operate.	Not plugged in. The appliance is turned off. The circuit breaker tripped or a blown fuse.	Plug the unit. Press  to turn on the unit. Check the breaker and/or fuses.
Cooler is not cold enough.	External environment may require a higher setting. The door is opened too often. The door is not closed completely. The door gasket does not seal properly.	Check the temperature control setting. Close the door properly. Check the door gasket.
The compressor turns on and off frequently.	The room temperature is hotter than normal. A large amount of contents has been added to the chiller. The door is opened too often. The door is not closed completely. The temperature control is not set correctly. The door gasket does not seal properly.	Close the door properly. Check the door gasket.
The fans turn on and off frequently.	In order to circulate the air and maintain the set temperature inside the cabinet the fans must cycle on and off even when the compressor is off. The fans will cycle ON and OFF while the compressor is off approximately every 10 seconds, this is called "Semi-speed status". This cycle is normal and meant both to circulate the air as well as ensure the continued operational status of the fans. If the fan stops completely and does not complete this cycle the fan is non-operational.	
The light does not work.	Not plugged in. The circuit breaker tripped or a blown fuse. The light button is "OFF".	Plug the unit. Check the breaker and/or fuses.

6、 Care & Maintenance :

IMPORTANT: Always unplug the cooler before cleaning or performing maintenance. Never use harsh cleansers or scouring pads to clean any part of the cooler.

Turn off the power, unplug the wine cooler, and remove all items including shelves.

Wash the inside surfaces with warm water and baking soda solution. The solution should be about 2 tablespoons of baking soda to a quart of water.

Wash the shelves with a mild detergent solution.

Wring excess water out of the sponge or cloth when cleaning the area near the controls, 12or any electrical parts.

Wash the outside cabinet with warm water and a mild liquid detergent. Rinse well and wipe dry with a clean soft cloth. Do not use steel wool or steel brush to rub the stainless steel, which will contaminate the stainless steel with steel particles and rusting may occur.

Power failure

Most power failures are corrected within a few hours and should not affect the temperature of your wine cooler. If the power is off for an extended period of time, proper steps should be taken to protect your contents.

Vacation Time

Leave the wine cooler operating during vacations of less than three weeks. For periods longer than this, turn the wine cooler off and leave the door slightly ajar to prevent odor from building inside the wine cooler.

Moving Your Wine Cooler

Remove all items (bottles) from the cooler;

Securely tape down any loose items, such as shelves, inside the cooler.

Turn the adjustable leg up to the base to avoid damage.

Tape the door shut.

Ensure that the wine cooler stays securely in the upright position during transportation.

Protect the outside of the wine cooler with a blanket or a similar item.

Energy saving tips

- The cooler should be located in the coolest area of the room away from heat sources or direct sunlight.

- Ensure that the cooler is adequately ventilated. Never cover air vents.

- Only open the cooler door for as long as necessary. Frequent opening of the door will affect internal temperature

2. Safety Instructions:

Your safety and the safety of others are very important.



Before the appliance is used, it must be properly positioned and installed as described in this manual, so read the manual carefully. To reduce the risk of fire, electrical shock or injury when using the appliance, follow basic precaution, including the following:

- Plug into a grounded 3-prong outlet, do not remove grounding prong, do not use an adapter, and do not use an extension cord.
- Replace all panels before operating.
- It is recommended that a separate circuit, serving only your appliance be provided. Use receptacles that cannot be turned off by a switch or pull chain.
- Never clean appliance parts with flammable fluids. These fumes can create a fire hazard or explosion. And do not store or use gasoline or other flammable vapour and liquids in the vicinity of this or any other appliance. The fumes can create a fire hazard or explosion.
- Before proceeding with cleaning and maintenance operations, make sure the power line of the unit is disconnected.
- Do not connect or disconnect the electric plug when your hands are wet.
- Unplug the appliance or disconnect power before cleaning or servicing. Failure to do so can result in electrical shock or death.

Do not attempt to repair or replace any part of your appliance unless it is specifically recommended in this material. All other servicing should be referred to a qualified technician.

3.Electrical connection :

⚡ Warning ⚡ : Improper use of the grounded plug can result in the risk of electrical shock. If the power cord is damaged, have it replaced by an authorized service center.

This appliance should be properly grounded for your safety. The power cord of this appliance is equipped with a three-prong plug which mates with standard three prong wall outlets to minimize the possibility of electrical shock.

Do not under any circumstances cut or remove the third ground prong from the power cord supplied. For personal safety, this appliance must be properly grounded.

This appliance requires a standard 220V/50Hz electrical ground outlet with three-prong. Have the wall outlet and circuit checked by a qualified electrician to make sure the outlet is properly grounded. When a standard 2-prong wall outlet is encountered, it is your responsibility and obligation to have it replaced with a properly grounded

3-prong wall outlet. The cord should be secured behind the appliance and not left exposed or dangling to prevent accidental injury.

The appliance should always be plugged into its own individual electrical outlet which has a voltage rating that matches the rating label on the appliance. This provides the best performance and also prevent overloading house wiring circuits that could cause a fire hazard from overheated. Never unplug the appliance by pulling the power cord. Always grip the plug firmly and pull straight out from the receptacle. Repair or replace immediately all power cords that have become frayed or otherwise damaged. Do not use a cord that shows cracks or abrasion damage along its length or at either end. When moving the appliance, be careful not to damage the power cord.

4. Installation of your wine cooler:

- This appliance is designed to be for free standing only.
- Place your wine cooler on a floor that is strong enough to support it when it is fully loaded. To level your wine chiller, adjust the front leveling legs at the bottom of the wine chiller.
- Locate the wine cooler away from direct sunlight and sources of heat (stove, heater, radiator, etc.). Direct sunlight may affect the acrylic coating and heat sources may increase electrical consumption. Extreme cold ambient temperatures may also cause the unit not to perform properly.
- Avoid locating the unit in moist areas.
- Plug the Wine cooler into an exclusive, properly installed-grounded wall outlet. Do not under any circumstances cut or remove the third (ground) prong from the power cord. Any questions concerning power and/or grounding should be directed toward a certified electrician or an authorized Products service center.

5. Operation Instructions:

It is recommended you install the wine cooler in a place where the ambient temperature is between 19°C-24°C (66°F-75°F), and humidity is under 60%. If the ambient temperature is above or below recommended temperatures, the performance of the unit may be affected. For example, placing your unit in extreme cold or hot conditions may cause interior temperatures to fluctuate.

Recommended temperature settings

Wine conservation: 12°C-14°C (53°F-57°F)

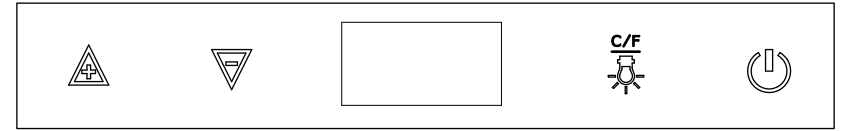
Rose and sparkling wines: 5°C-8°C (41°F-46°F)

Dry/white wines: 9°C-12°C (48°F-53°F)

Red wines: 14°C-18°C (59°F-65°F)

*Temperature °C may varies between $\leq \pm 2$ °C

Temperature Setting:



Temperature setting range : 5-18°C(41-64°F)



Adjusts the temperature in 1 degree increments



Adjusts the temperature in 1 degree decrements



- Press for 1 second: Turns the interior light on or off.
Press for 3 seconds: Toggles the temperature display between Celsius and Fahrenheit.



Press for 3 seconds to turn on /off the appliance

Storage

This wine cooler is designed to store standard Bordeaux 750 ml wine bottles.. Many bottles differ in size and dimensions. As such, the actual number of bottles you may be able to store may vary. Storing large and/or oddly shaped bottles (including champagne and sparkling wine bottles) will decrease the capacity of your wine cooler.