

1 | 2 | 3 | 4 | 5 | 6 | 7 | 8

A

B

C

D

E

F

A

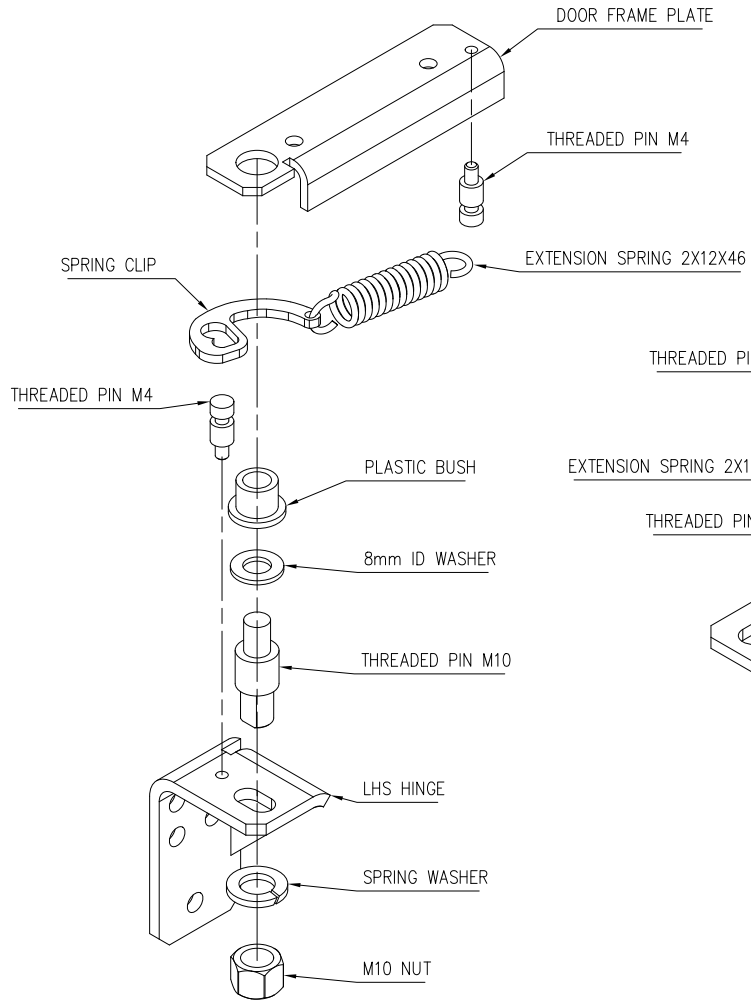
B

C

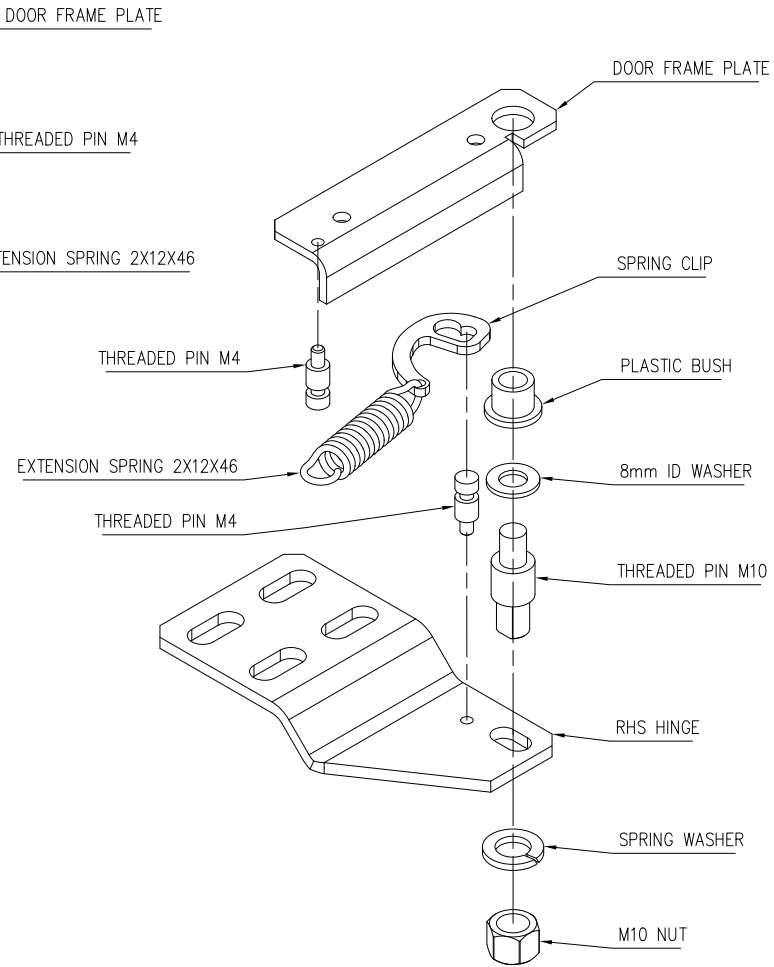
D

E

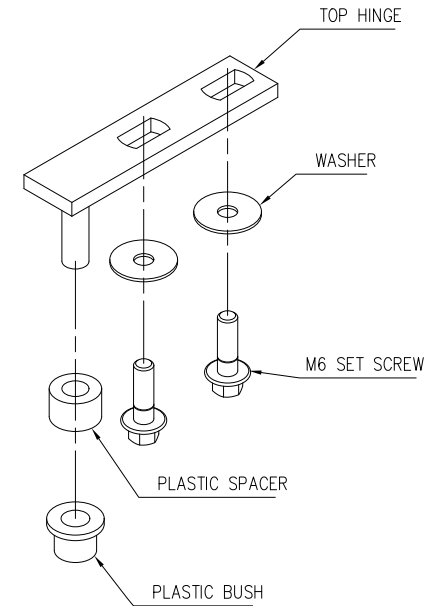
F



1 LHS HINGE
NTS



2 BOTTOM HINGE
NTS



3 TOP HINGE
NTS

DESIGNER: JASON	DATE: 25-03-2011	TITLE: HINGES FOR 1800 SANDWICH BAR	
PROJECTION: 	COMPANY: JUST REFRIGERATION PRODUCTS	REV: 00	SHEET #: 02

1 | 2 | 3 | 4 | 5 | 6 | 7 | 8