

Commercial Tapware



GUARDIAN[®] TAPWARE

Bib Tap with Hob Mount Sensor

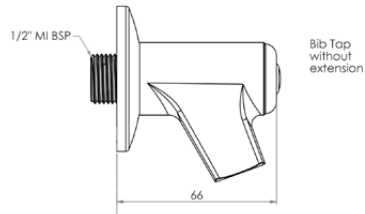


T-3MSS-BTSB (battery operated)

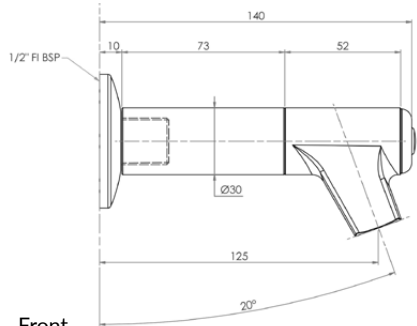
T-3MSS-BTSM (mains operated)

- Infrared 6 sec timed sensor
- Full S/S construction
- Equipped with 3monkeez sensor technology for hands-free operation
- Sensor is hob mounted
- Available as battery powered or mains operated
- 1/2" MI BSP
- 1/2" FI BSP extension piece included
- WELS 6 Star 3LPM
- Working pressure range 150kPa-500kPa
- Maximum operating temperature 60 degrees

Side



Bib Tap without extension



Front

