

# Commercial Tapware



**CLEANAJET**<sup>®</sup>  
STAINLESS STEEL

## Compact Exposed Wall Mount Pre-Rinse Unit with Pot Filler



**T-3M53449-C** – 6" pot filler

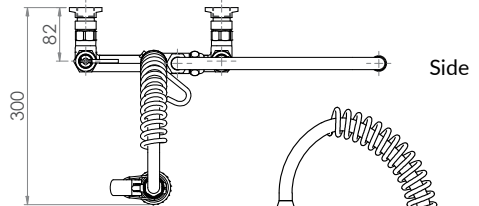
**T-3M53473-C** – 12" pot filler

- Full S/S construction
- Compact model designed for applications where space saving is a priority
- Equipped with a water saving 6 star 4LPM variable trigger valve
- Wall bracket included
- Available with 6" or 12" pot filler – 3 star 8LPM
- Fully assembled and bench tested, with a unique traceable serial number
- Working pressure range 150kPa-500kPa
- Maximum operating temperature 80 degrees

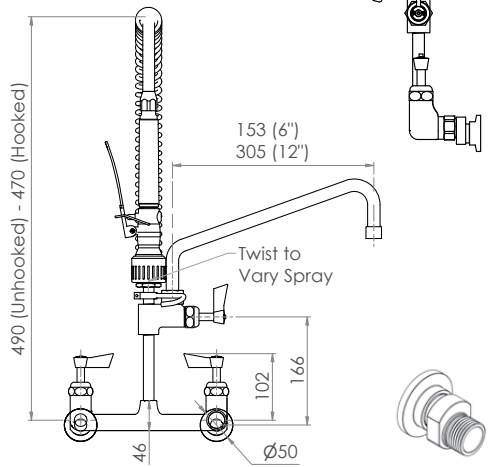


Top

Set-Out 205 Centres  
Min 195 - Max 215



Front



Spreader rotates to accept variations in Set-Out