

Commercial Tapware



CLEANJET®
STAINLESS STEEL

Single Hob Mount Pre-Rinse Unit with Pot Filler



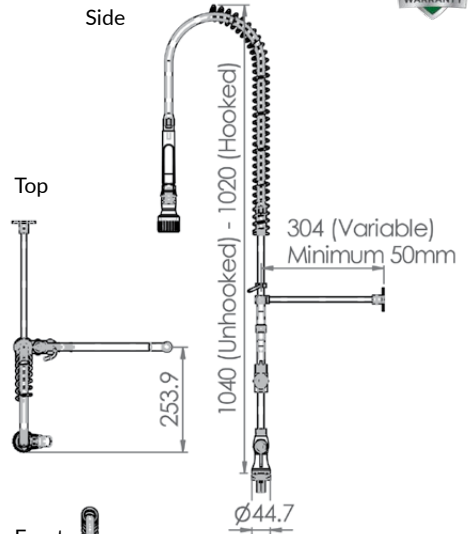
T-3M53106 – 6" pot filler

T-3M53112 – 12" pot filler

- Full S/S construction
- Single control tap for single temperature, cold or pre-mixed water
- Equipped with a water saving 6 star 4LPM variable trigger valve
- Available with 6" or 12" pot filler – 3 star 8LPM
- Fully assembled and bench tested, with a unique traceable serial number
- Working pressure range 150kPa-500kPa
- Maximum operating temperature 80 degrees



Side



Front

