

## SB406 | 406kg Storage Bin

Ice Machines

**SB406**

**406KG STORAGE  
BIN**

Stainless steel  
internal and external  
construction for  
corrosion resistance  
and simple cleaning

Insulated with  
polyurethane to  
slow melting and  
maximise ice life

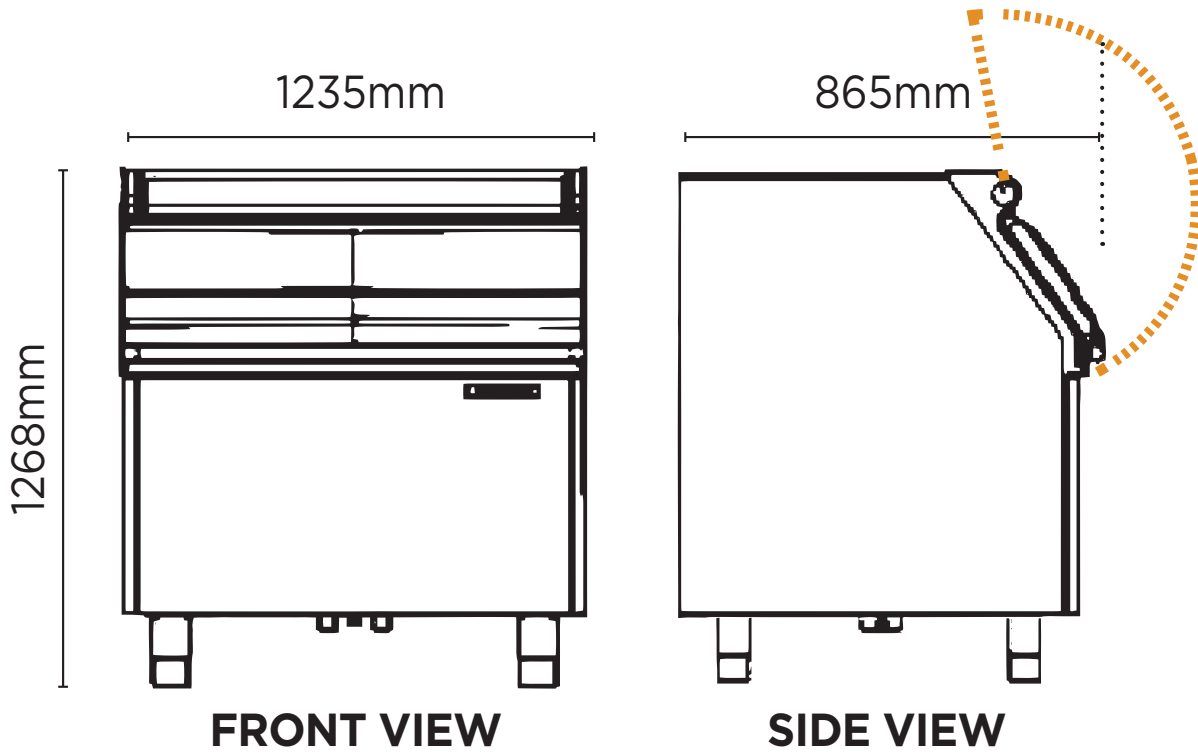


Agion®-treated materials  
maintain hygiene with  
antimicrobial technology



## SB406 | 406kg Storage Bin

Ice Machines



**SPECIFICATIONS**

Model	SB406
Part Number	3935273
Storage Bin Capacity	406kg
Gross Weight	104kg
Liner Material	Stainless Steel
Warranty	3 Years Parts, 1 Year Labour
Warranty Service	Bromic Extra Care

**DIMENSIONS**

	External (mm)
Width	1235
Depth	865
Height	1268

\* External height excludes feet  
 \* Production is based on kg/24hr at 10°C air & 10°C water

BROMIC PTY Ltd reserve the right to alter specifications without notice.