

## IM0250HDM | Modular 250kg Half-Dice Ice Machine

Ice Machines

**IM0250HDM**

**MODULAR 250KG  
HALF-DICE ICE  
MACHINE**

Stainless steel internal  
and external construction  
for corrosion resistance  
and simple cleaning

Crystal-clear cubes offer  
sterile cooling in a range  
of applications



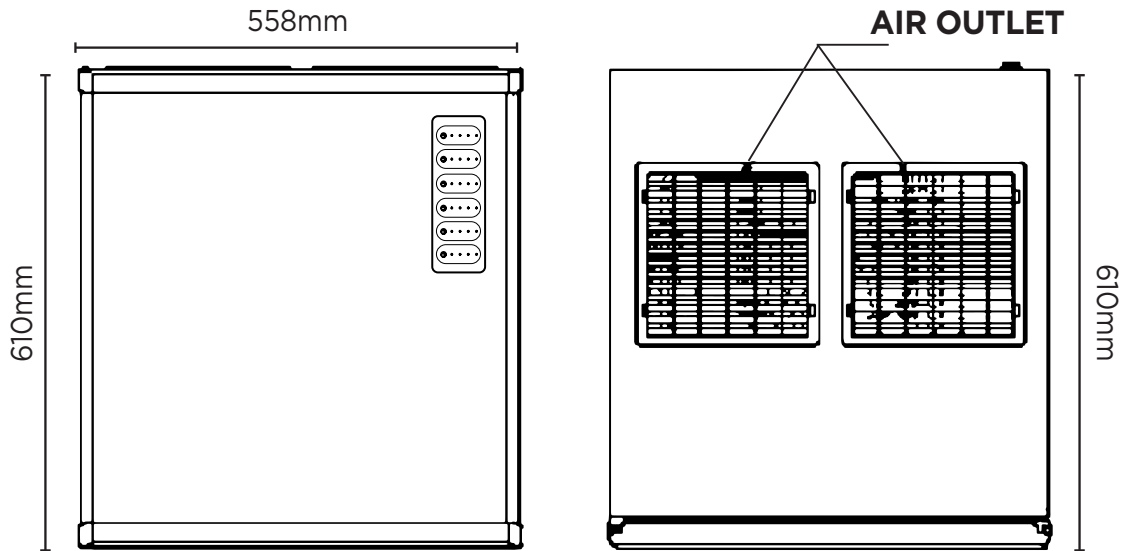
Cooling moves air through  
vents to reduce horizontal or  
vertical ventilation clearance

Agion®-treated  
materials maintain  
hygiene with  
antimicrobial  
technology



## IM0250HDM | Modular 250kg Half-Dice Ice Machine

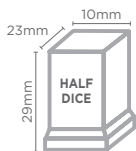
### Ice Machines



#### Ice Dimensions



Dice Ice



### SPECIFICATIONS

|                                      |                              |
|--------------------------------------|------------------------------|
| <b>Model</b>                         | IM0250HDM                    |
| <b>Part Number</b>                   | 3935185                      |
| <b>Legs (mm)</b>                     | N/A                          |
| <b>Maximum Daily Production</b>      | 250kg                        |
| <b>Storage Bin Capacity</b>          | N/A                          |
| <b>Power Input</b>                   | 1200W                        |
| <b>Energy Consumption</b>            | 13.6kWh/24h                  |
| <b>Water Consumption</b>             | 1.4L/kg                      |
| <b>Net Weight</b>                    | 65kg                         |
| <b>Packaged Dimensions</b>           | 620 x 680 x 800 mm           |
| <b>Refrigerant</b>                   | R404a                        |
| <b>Plug Supplied</b>                 | Yes, 1 x 16A                 |
| <b>Self-Contained Machine</b>        | No                           |
| <b>Storage Bin Compatibility</b>     | SB129, SB178, SB243          |
| <b>Bin Top Required for Each Bin</b> | Yes                          |
| <b>Maximum Ambient Temp.</b>         | 40°C                         |
| <b>Type of Ice Produced</b>          | 1/2 Dice                     |
| <b>Weight of Ice</b>                 | 10g                          |
| <b>Colour</b>                        | Stainless Steel              |
| <b>Warranty</b>                      | 3 Years Parts, 1 Year Labour |
| <b>Warranty Service</b>              | Bromic Extra Care            |

### DIMENSIONS

|               | External (mm) |
|---------------|---------------|
| <b>Width</b>  | 558           |
| <b>Depth</b>  | 610           |
| <b>Height</b> | 610           |

\* External height excludes feet

\* Production is based on kg/24hr at 10°C air & 10°C water

BROMIC PTY Ltd reserve the right to alter specifications without notice.