



---

UNDER COUNTER REFRIGERATOR

RT-96MA-A,98MA-A  
RT-126MA-A,128MA-A  
RT-156MA-A,158MA-A  
RT-186MA-A,188MA-A

# PARTS LIST

[AUSTRALIA]

T263-C400  
T264-C400  
T265-C400  
T266-C400  
T267-C400  
T268-C400  
T269-C400  
T270-C400

J-0 AUG. 2019  
M-1 DEC. 2022

Product Code	Spec
T263-C400,T264-C400,T265-C400,T266-C400,	AUSTRALIA
T267-C400,T268-C400,T269-C400,T270-C400	

星崎商用冷冻柜	
产品型号	1107-187MA-CI-D
气候类别	S
防腐保护类别	1类
总容积(L)	1710L
冷冻室有效容积	1710L
额定电压	~220V
额定频率	50Hz
输入总功率	837W
总加热装置	5*7W
耗电量	19.96kWh/24h
冷冻能力	35kg
制冷剂名称及充入量	R404A/310g
净重	
毛重	273kg
星崎电机(苏州)有限公司 中国·苏州	

B10999J  
└─┘ AUXILIARY CODE

## AUXILIARY CODE

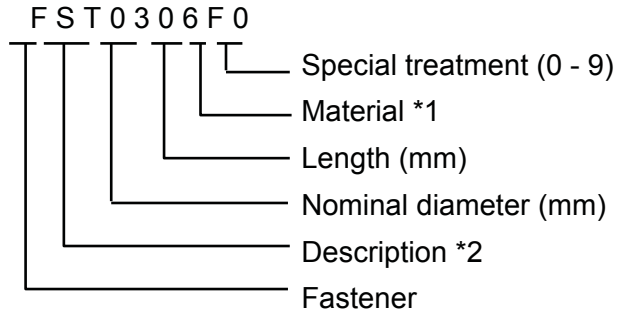
U - 1

The auxiliary code is the first two characters in the serial number. The first character indicates the production year. Years progress or regress in alphabetical order. The series of letters and skipped letters depend on UL listing, production, and model. See the auxiliary code(s) and corresponding year(s) on the front cover.

The second character indicates significant part changes within the same year. Base is "1" and this number advances for each change. If there is no significant part change at the turn of the year, this number starts from "0."

# FASTENER PART NUMBER

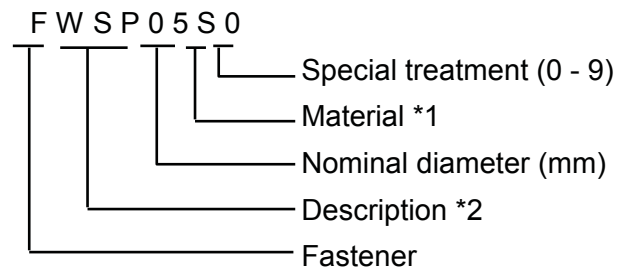
## SCREWS



\*1

- F: Steel
- S: Austenitic stainless steel
- M: Martensitic stainless steel
- B: Copper alloy
- P: Polycarbonate
- N: Polyamide
- V: PVC
- A: ABS
- X: Polyacetal
- L: Aluminum

## NUTS & WASHERS



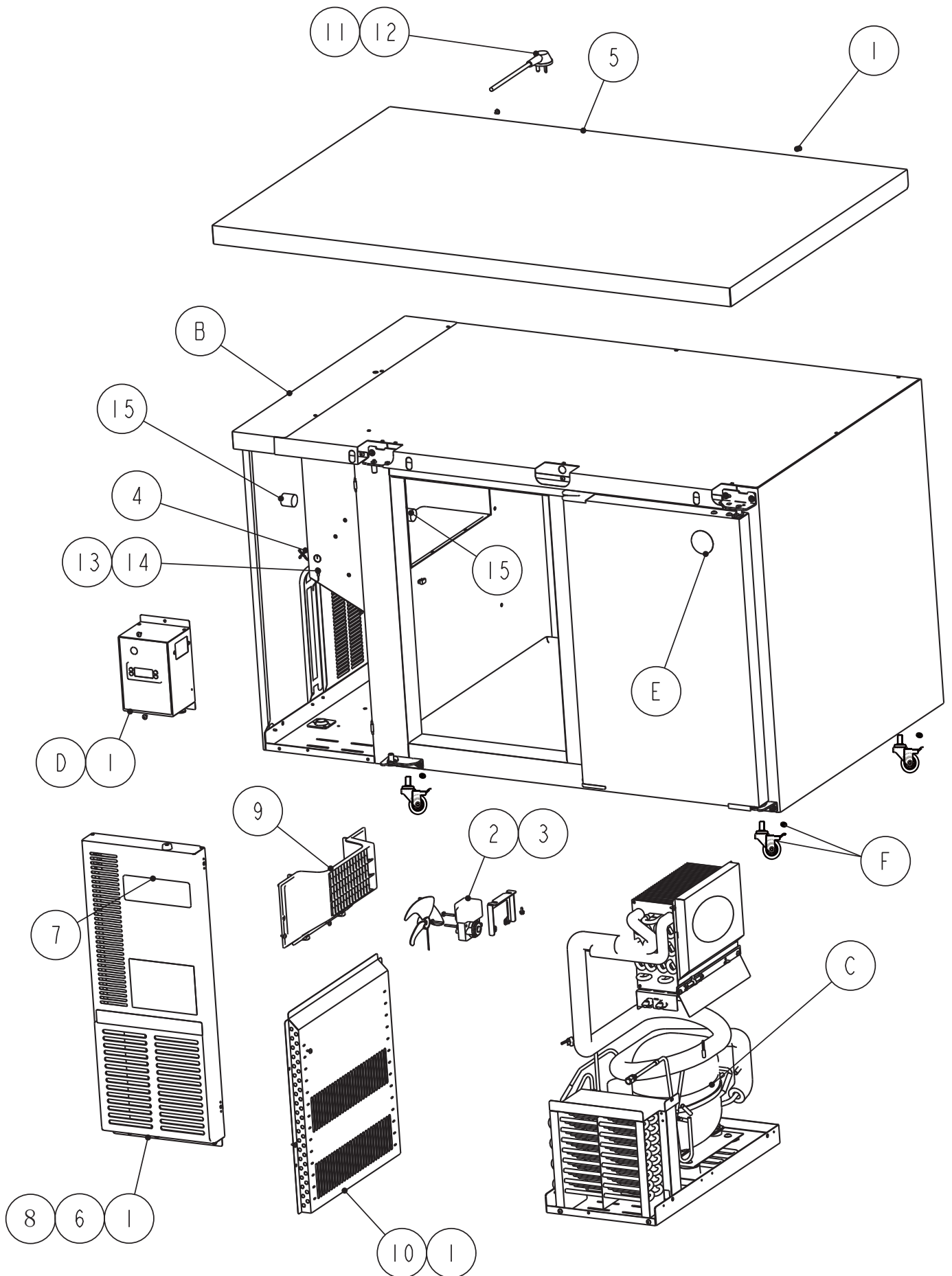
\*2

- First letter
- S: Machine screw
- T: Tapping screw
- M: Wood screw
- B: Bolt
- W: Washer
- N: Nut

RT-96MA-A,98MA-A  
RT-126MA-A,128MA-A  
RT-156MA-A,158MA-A  
RT-186MA-A,188MA-A

A. REFRIGERATOR ASSY

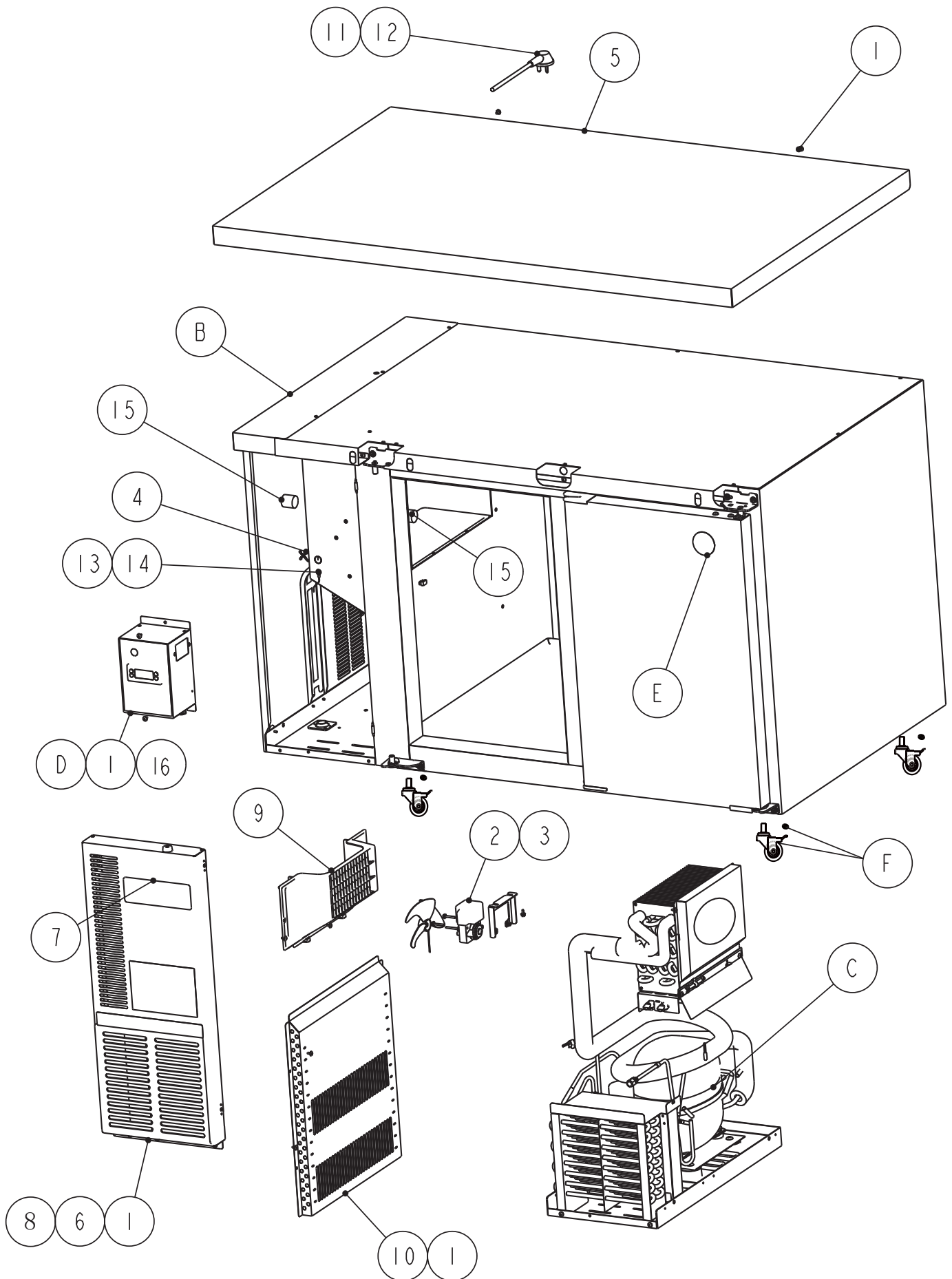
J-0



RT-96MA-A,98MA-A  
RT-126MA-A,128MA-A  
RT-156MA-A,158MA-A  
RT-186MA-A,188MA-A

A. REFRIGERATOR ASSY

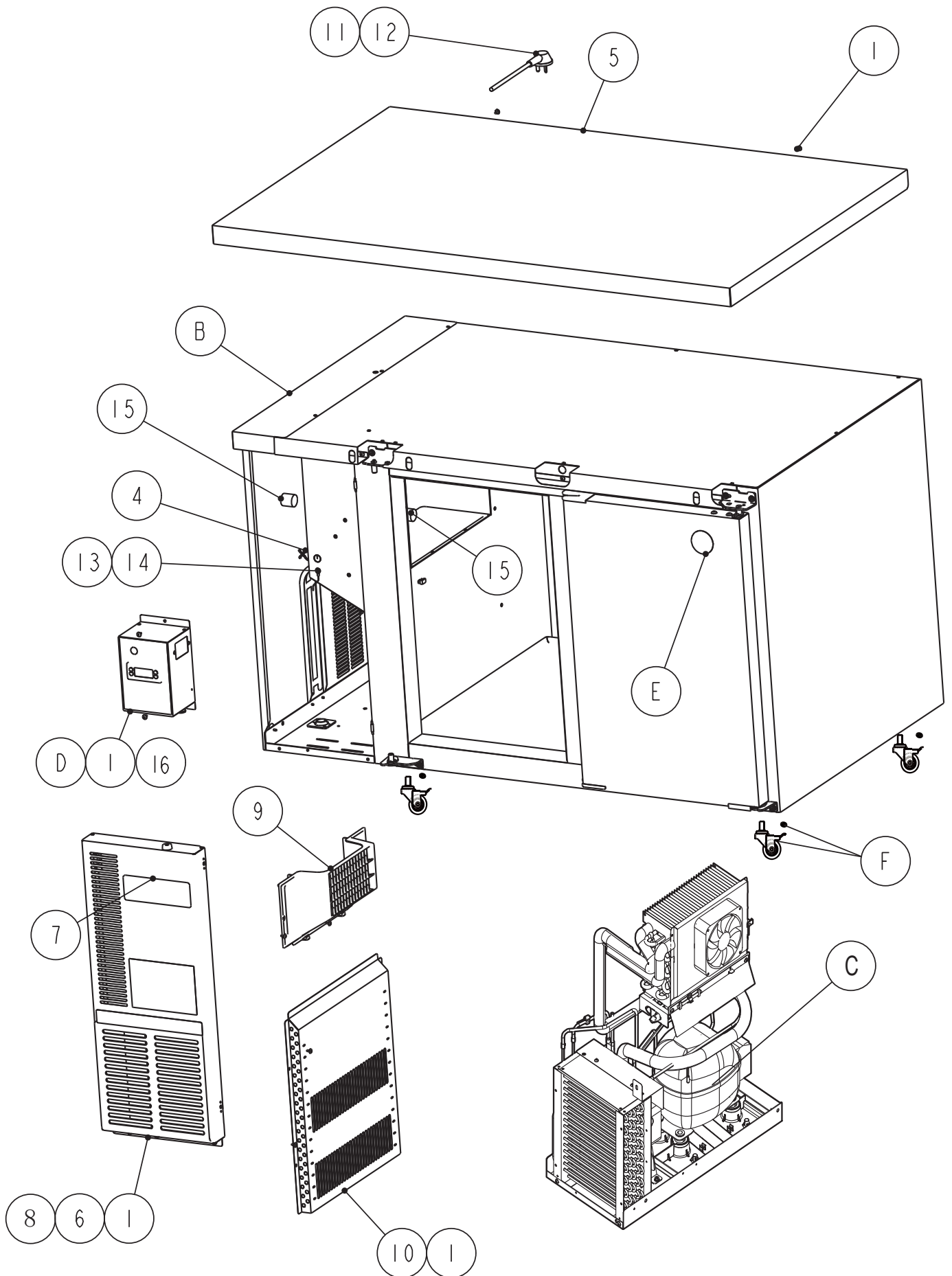
(J-0) to (M-0)



RT-96MA-A,98MA-A  
RT-126MA-A,128MA-A  
RT-156MA-A,158MA-A  
RT-186MA-A,188MA-A

A. REFRIGERATOR ASSY

(M-1) and later



MODEL: RT-96MA-A,98MA-A  
RT-126MA-A,128MA-A  
RT-156MA-A,158MA-A  
RT-186MA-A,188MA-A

TITLE: A. REFRIGERATOR ASSY

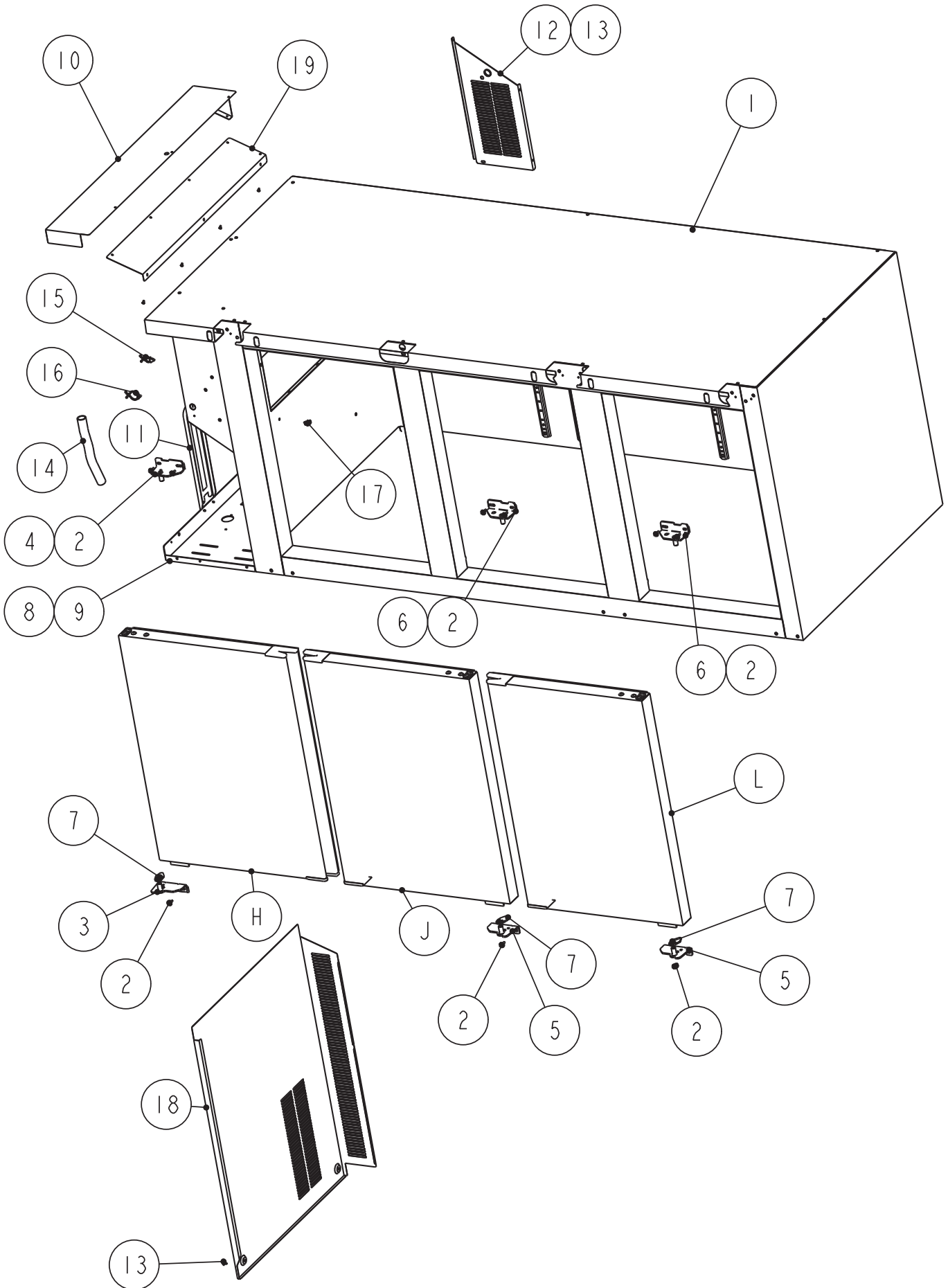
INDEX NO.	DESCRIPTION	MATERIAL OR MODEL NUMBER	PART NUMBER	REQ'D NUMBER			
				J-0 M-0	M-1 and later		
B	BODY AY	RT-96MA	126873004	1	1		
		RT-98MA	127042003	1	1		
		RT-126MA	126874009	1	1		
		RT-128MA	127043011	1	1		
		RT-156MA	126875010	1	1		
		RT-158MA	127044014	1	1		
		RT-186MA	126876010	1	1		
		RT-188MA	127045015	1	1		
C	REFRIGERATION UNIT	RT-96MA,RT-98MA	128071A01 (S-31390)	1	1		
		RT-126MA,RT-128MA					
		RT-156MA,RT-158MA					
		RT-186MA,RT-188MA	128071A02 (S-31391)	1	1		
D	CONTROL BOX AY		276842A09 (S-31534)	1	1		
E	LABEL LOCATION	RT-96MA	127138358	1	1		
		RT-98MA	127138363	1	1		
		RT-126MA	127138359	1	1		
		RT-128MA	127138364	1	1		
		RT-156MA	127138361	1	1		
		RT-158MA	127138365	1	1		
		RT-186MA	127138362	1	1		
		RT-188MA	127138366	1	1		
F	ACCESSORIES	RT-96MA	A03623010	1	1		
		RT-98MA	A03627014	1	1		
		RT-126MA	A03624021	1	1		
		RT-128MA	A03628021	1	1		
		RT-156MA	A03625019	1	1		
		RT-158MA	A03629027	1	1		
		RT-186MA	A03626022	1	1		
		RT-188MA	A03630025	1	1		
1	T2 TRUSS HEAD SCREW		FT20408M0	12	12		
2	FAN MOTOR AY		3S2975A01	1	-		
3	HEX HEAD BOLT SW		FBK0410S0	2	-		
4	CLAMP		427902-04	1	1		

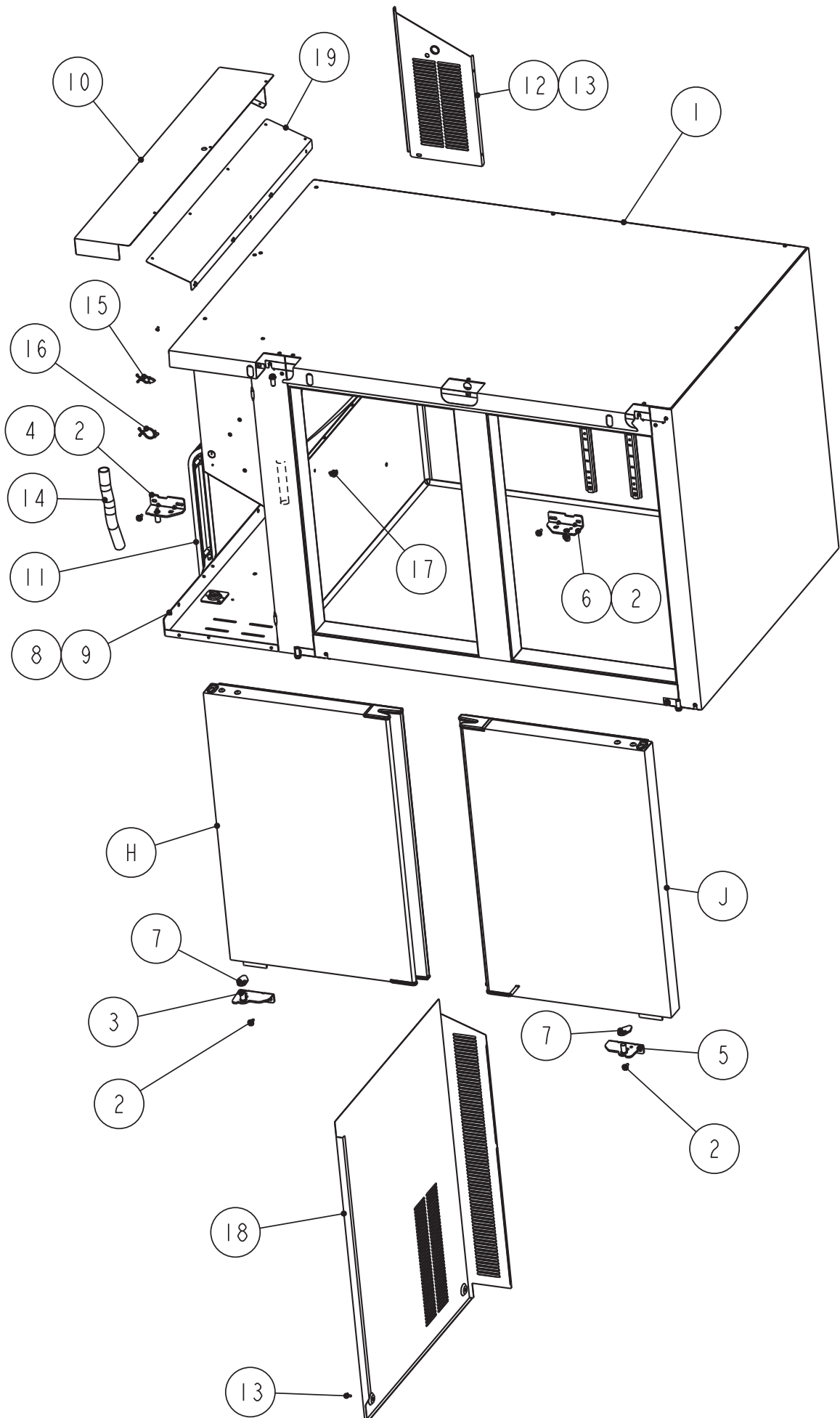
MODEL: RT-96MA-A,98MA-A  
 RT-126MA-A,128MA-A  
 RT-156MA-A,158MA-A  
 RT-186MA-A,188MA-A

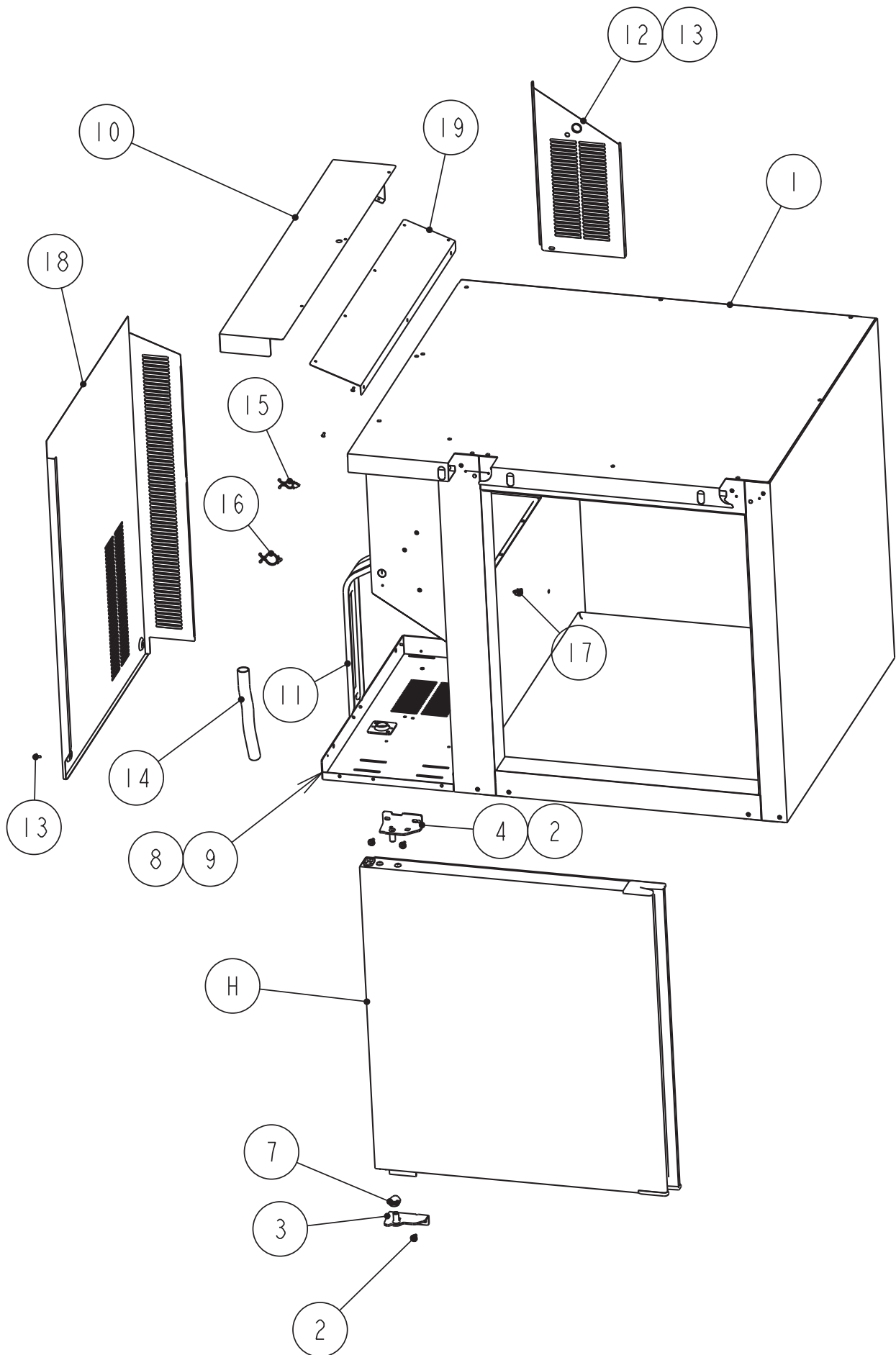
TITLE: A. REFRIGERATOR ASSY

INDEX NO.	DESCRIPTION	MATERIAL OR MODEL NUMBER	PART NUMBER	REQ'D NUMBER			
				J-0 M-0	M-1 and later		
5	TOP PANEL	RT-96MA	2R5662M07	1	1		
		RT-98MA	2R5662M08	1	1		
		RT-126MA	2R5662M01	1	1		
		RT-128MA	2R5662M04	1	1		
		RT-156MA	2R5662M02	1	1		
		RT-158MA	2R5662M05	1	1		
		RT-186MA	2R5662M03	1	1		
		RT-188MA	2R5662M06	1	1		
6	FRONT PANEL		388825003	1	1		
7	WINDOW PANEL		3S0439P01	1	1		
8	AIR FILTER		390723G01	1	1		
9	DUCT		1R2914P01	1	1		
10	DUCT B		3S3562G02	1	1		
11	POWER SUPPLY CORD - ASSY	S-23216	3S2664G01	1	1		
12	BUSHING		448949-01	1	1		
13	SPRING WASHER		FWSP04S0	3	3		
14	TRUSS HEAD SCREW		FST0408S0	3	3		
15	INSULATION		4R5835Z01	2	2		
16	COVER - CONTROL BOX		4C0293P01	1	1		









MODEL: RT-96MA-A,98MA-A  
RT-126MA-A,128MA-A  
RT-156MA-A,158MA-A  
RT-186MA-A,188MA-A

TITLE: B.BODY AY

INDEX NO.	DESCRIPTION	MATERIAL OR MODEL NUMBER	PART NUMBER	REQ'D NUMBER			
				J-0 and later			
H	DOOR L,AY	RT-96MA,98MA	276593A01 (S-30860)	1			
		RT-126MA,128MA	274431A04 (S-30203)				
		RT-156MA,158MA	274432A01 (S-30205)				
		RT-186MA,188MA	274431A02 (S-30207)				
J	DOOR R,AY	RT-126MA,128MA	274432A04 (S-30204)	1			
		RT-156MA,158MA	274431A01 (S-30206)				
		RT-186MA,188MA	274432A02 (S-30208)				
L	DOOR R,AY	RT-186MA,188MA	274432A03 (S-30210)	1			
1	BODY	RT-96MA	1R2891037	1			
		RT-98MA	1R2894044				
		RT-126MA	1R2891039				
		RT-128MA	1R2894046				
		RT-156MA	1R2892030				
		RT-158MA	1R2895041				
		RT-186MA	1R2893029				
		RT-188MA	1R2896039				
2	FLANGE BOLT (S-TITE)	RT-96MA,98MA	445994-03	8			
		RT-126MA,RT-128MA					
		RT-156MA,158MA					
		RT-186MA,188MA					
3	DOOR HINGE (L) , LO		375319G01	1			
4	DOOR HINGE (L) , UP		375318G01	1			
5	DOOR HINGE (R) , LO	RT-126MA,RT-128MA	375316G01	1			
		RT-156MA,158MA					
		RT-186MA,188MA					
6	DOOR HINGE (R) , UP	RT-126MA,RT-128MA	375315G01	1			
		RT-156MA,158MA					
		RT-186MA,188MA					
7	HINGE COLLAR - HINGE	RT-96MA,98MA	339948-01	1			
		RT-126MA,RT-128MA					
		RT-156MA,158MA					
		RT-186MA,188MA					

MODEL: RT-96MA-A,98MA-A  
RT-126MA-A,128MA-A  
RT-156MA-A,158MA-A  
RT-186MA-A,188MA-A

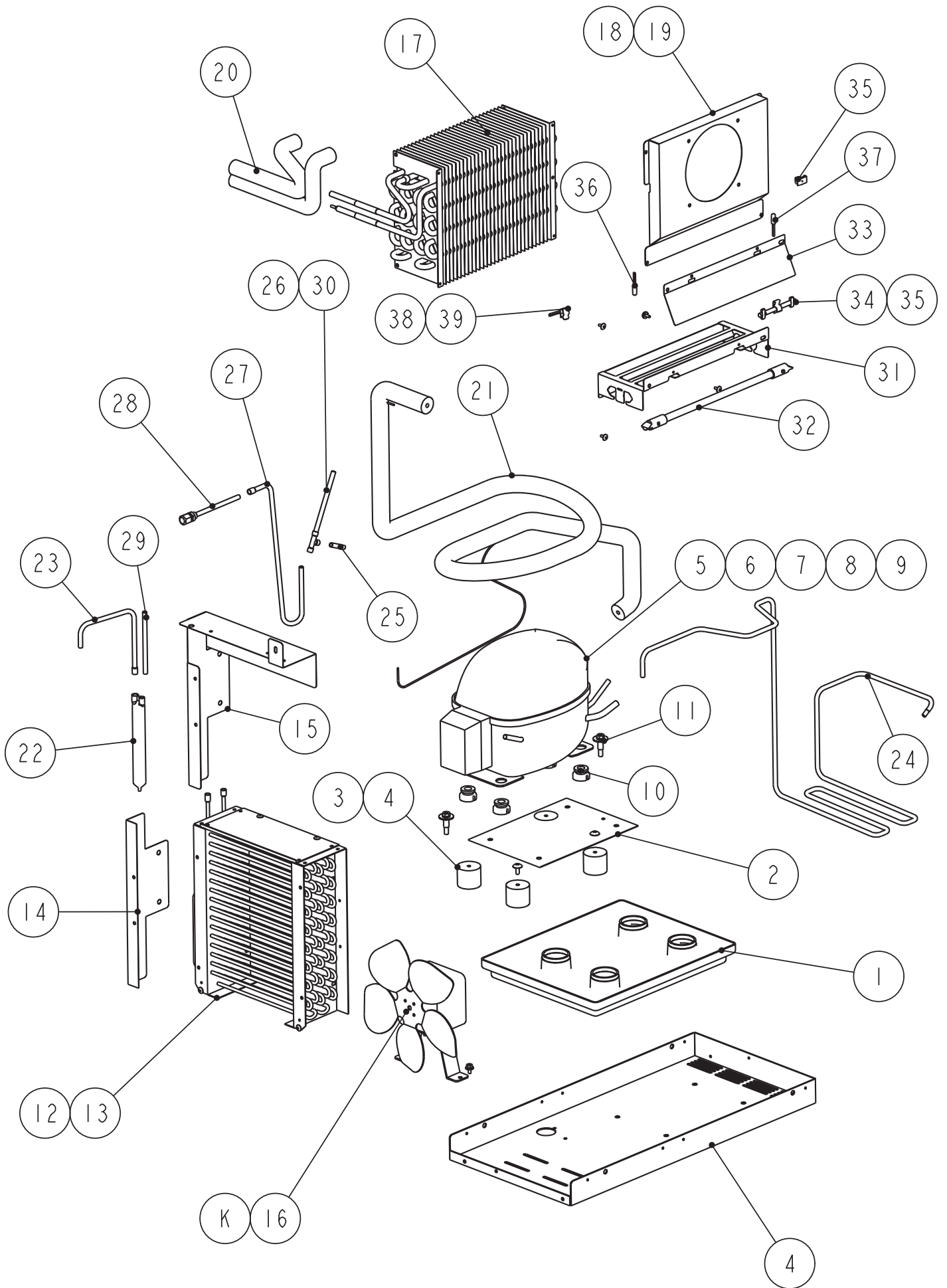
TITLE: B.BODY AY

INDEX NO.	DESCRIPTION	MATERIAL OR MODEL NUMBER	PART NUMBER	REQ'D NUMBER			
				J-0 and later			
8	BASE	RT-96MA,98MA	389444G01	1			
		RT-126MA,RT-128MA	277850M01	1			
		RT-156MA,158MA		1			
		RT-186MA,188MA		1			
9	FLANGE BOLT (S-TITE)		FTQ0512F0	2			
10	BRACKET - TOP PANEL	RT-96MA,RT-126MA	2R5585M01	1			
		RT-156MA,RT-186MA					
		RT-98MA,RT-128MA	2R5585M02	1			
		RT-158MA,RT-188MA					
11	FRAME - UNIT		3S2838M01	1			
12	LOUVER - UNIT		389439M01	1			
13	T2 TRUSS HEAD SCREW		FT20408M0	6			
14	PVC Hose		HA1821200	1			
15	WIRE RETAINER		427902-03	4			
16	CLAMP		427902-02	1			
17	CLAMP		463936-01	1			
18	SIDE PANEL - UNIT		2R5741M02	1			
19	BRACKET B - TOP PANEL	RT-96MA,RT-126MA	2R5881M01	1			
		RT-156MA,RT-186MA					
		RT-98MA,RT-128MA	2R5881M02	1			
		RT-158MA,RT-188MA					

RT-96MA-A,98MA-A  
RT-126MA-A,128MA-A  
RT-156MA-A,158MA-A  
RT-186MA-A,188MA-A

C. REFRIGERATION UNIT

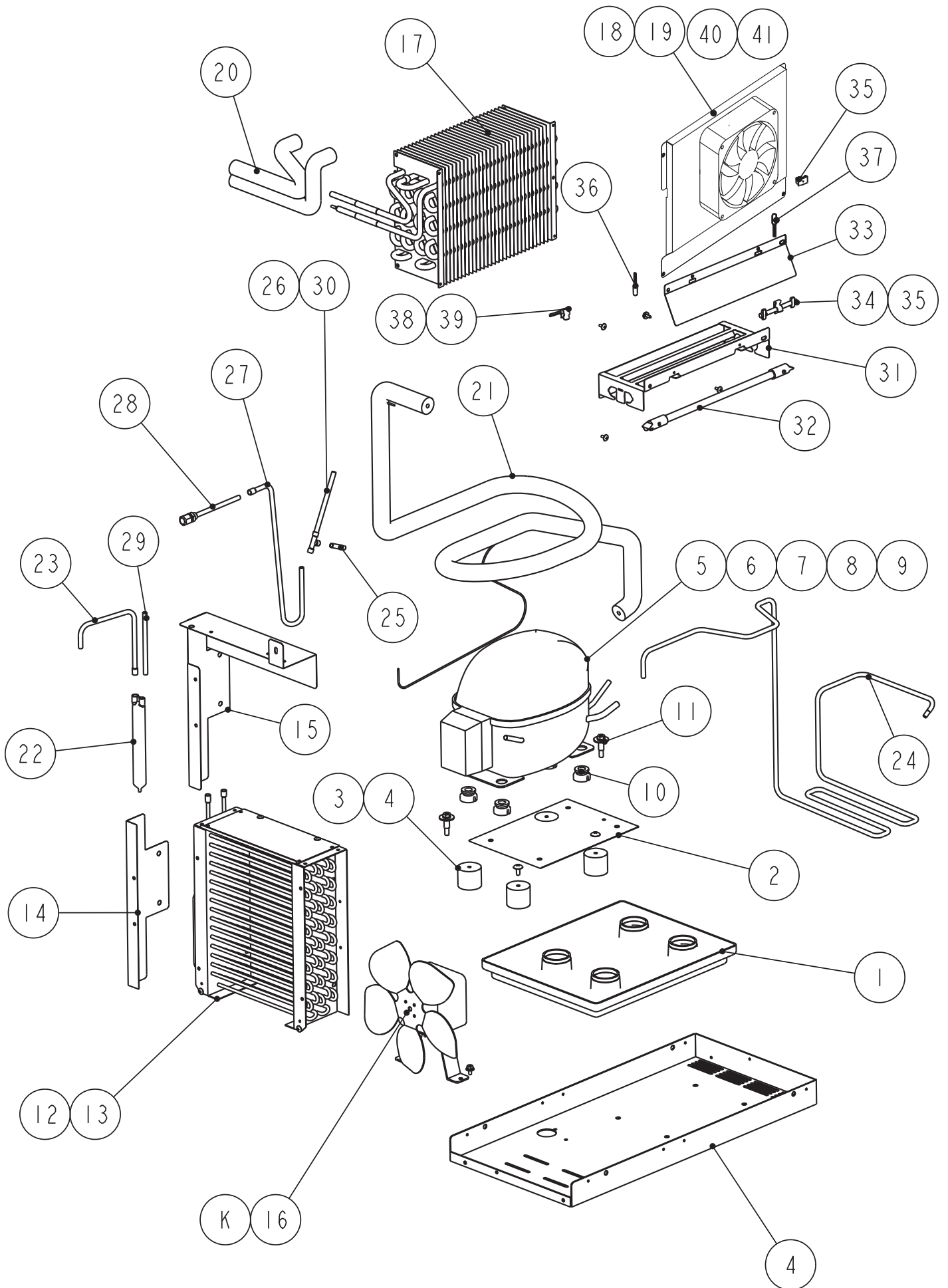
(J-0) to (M-0)



RT-96MA-A,98MA-A  
RT-126MA-A,128MA-A  
RT-156MA-A,158MA-A  
RT-186MA-A,188MA-A

C. REFRIGERATION UNIT

(M-1) and later



MODEL: **RT-96MA-A,98MA-A**  
**RT-126MA-A,128MA-A**  
**RT-156MA-A,158MA-A**  
**RT-186MA-A,188MA-A**

TITLE: **C. REFRIGERATION UNIT**  
**(S-31390, S-31391)**

INDEX NO.	DESCRIPTION	MATERIAL OR MODEL NUMBER	PART NUMBER	REQ'D NUMBER			
				J-0 M-0	M-1 and later		
K	FAN MOTOR AY		3S0697A02	1	1		
1	DRAIN PAN		389438P01	1	1		
2	BASE - COMP		485258M01	1	1		
3	BASE - DRAIN PAN		485259M01	4	4		
4	TRUSS HEAD MACHINE SCREW		FST0612S0	7	7		
5	COMPRESSOR	S-31390	P01393-01	1	1		
		S-31391	P03587-01				
6	PTC STARTING DEVICE		450901-01	1	1		
7	CORD RELIEF		4A3264-01	1	1		
8	COVER		4A3265-01	1	1		
9	SHIELD - PTC		P01396-01	1	1		
10	GROMMET		450897-01	4	4		
11	BOLT		468180-01	2	2		
12	WIRE CONDENSER		P05095-01	1	1		
13	T2 TRUSS HEAD SCREW		FT20408M0	8	8		
14	SHROUD-SIDE		485254M01	1	1		
15	SHROUD-TOP		485253M01	1	1		
16	HEX HEAD BOLT (SPRING WASHER AND FLAT WASHER)		FBK0510S0	2	2		
17	EVAPORATOR		P02103-02	1	1		
18	EVAP COVER		278827M02	0	1		
19	T2 TRUSS HEAD SCREW		FT20408S0	2	2		
20	INSULATION TUBE		H71323260	2	2		
21	HEAT EXCHANGER		277830G01	1	1		
22	DRIER		458774-01	1	1		
23	PIPE A		485255M01	1	1		
24	PIPE-DISCHARGE		389424M01	1	1		
25	PIPE - PROCESS		485256M01	1	1		
26	TEE - 6.4		417394-01	1	1		
27	PIPE-LO		4R5777M01	1	1		
28	ACCESS VALVE		457729-01	1	1		
29	PIPE A		4H1294-03	1	1		
30	PIPE A		4H1294-01	1	1		



MODEL: **RT-96MA-A,98MA-A**  
**RT-126MA-A,128MA-A**  
**RT-156MA-A,158MA-A**  
**RT-186MA-A,188MA-A**

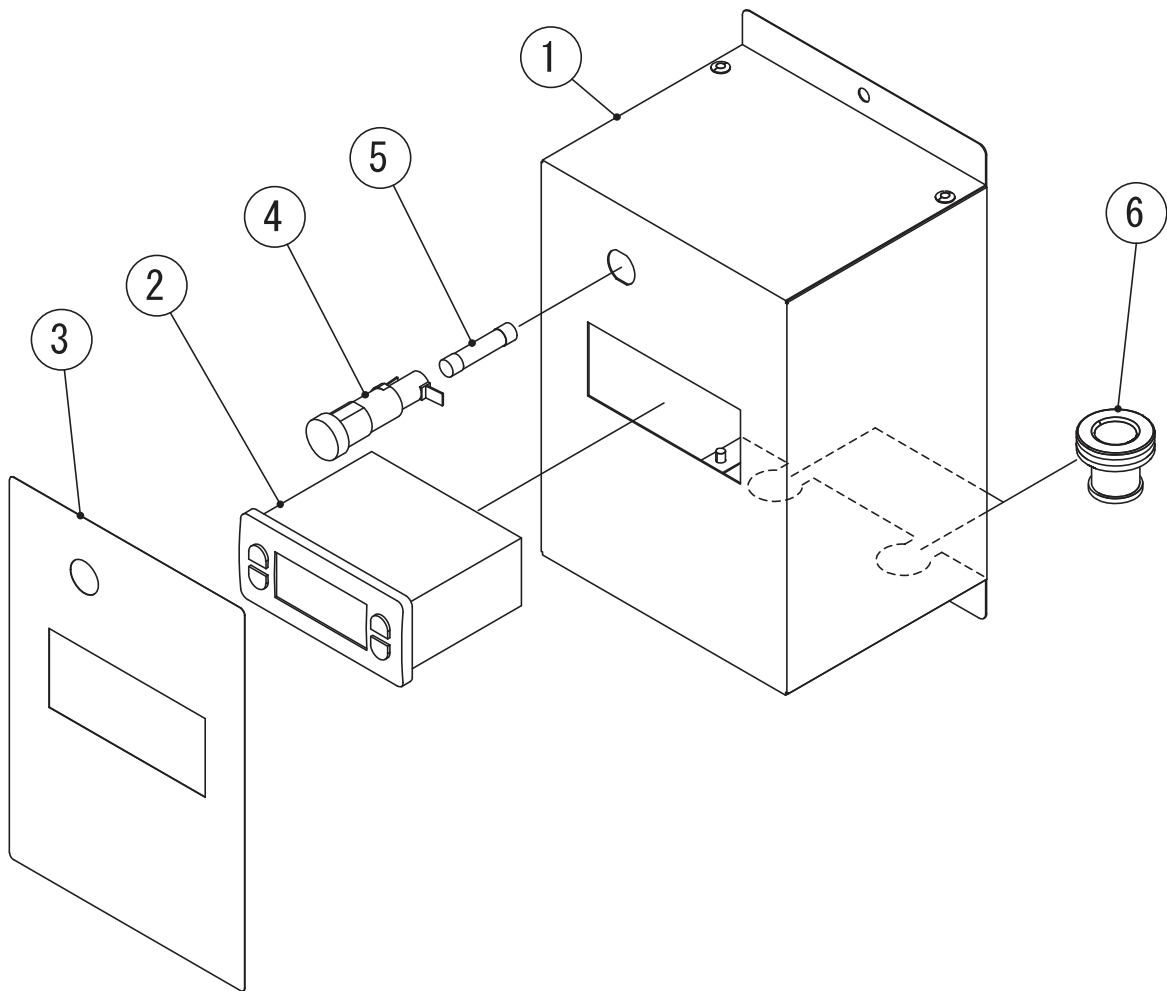
TITLE: **C. REFRIGERATION UNIT**  
(S-31390, S-31391)

INDEX NO.	DESCRIPTION	MATERIAL OR MODEL NUMBER	PART NUMBER	REQ'D NUMBER			
				J-0 M-0	M-1 and later		
31	COVER - HEATER		2R6082M01	1	1		
32	HEATER-GLASS TUBE		C06417-01	1	1		
33	heater bracket		3S3049M01	1	1		
34	FUSE		P01103-01	1	1		
35	CLIP-FUSE		4R2937-01	2	2		
36	TERMISTOR		P04878-01	1	1		
37	TERMISTOR		P04878-02	1	1		
38	TERMISTOR		P04878-03	1	1		
39	CLIP-THERMISTOR		4R2938-01	1	1		
40	T2 TRUSS HEAD SCREW		FT20512S0	0	4		
41	FAN MOTOR		C05934-01	0	1		

RT-96MA-A,98MA-A  
RT-126MA-A,128MA-A  
RT-156MA-A,158MA-A  
RT-186MA-A,188MA-A

D. CONTROL BOX AY

(J-0) and later



MODEL: RT-96MA-A,98MA-A  
 RT-126MA-A,128MA-A  
 RT-156MA-A,158MA-A  
 RT-186MA-A,188MA-A

TITLE: D. CONTROL BOX AY  
 (S-31534)

INDEX NO.	DESCRIPTION	MATERIAL OR MODEL NUMBER	PART NUMBER	REQ'D NUMBER			
				J-0 and later			
1	CONTROL BOX		3S2974G01	1			
2	CONTROLLER		P04865-04	1			
3	CONTROL LABEL		375688L01	1			
4	FUSE HOLDER		P00084-01	1			
5	FUSE		P01432-01	1			
6	GROMMET		4H2568-02	2			

MODEL: **RT-96MA-A,98MA-A**  
**RT-126MA-A,128MA-A**  
**RT-156MA-A,158MA-A**  
**RT-186MA-A,188MA-A**

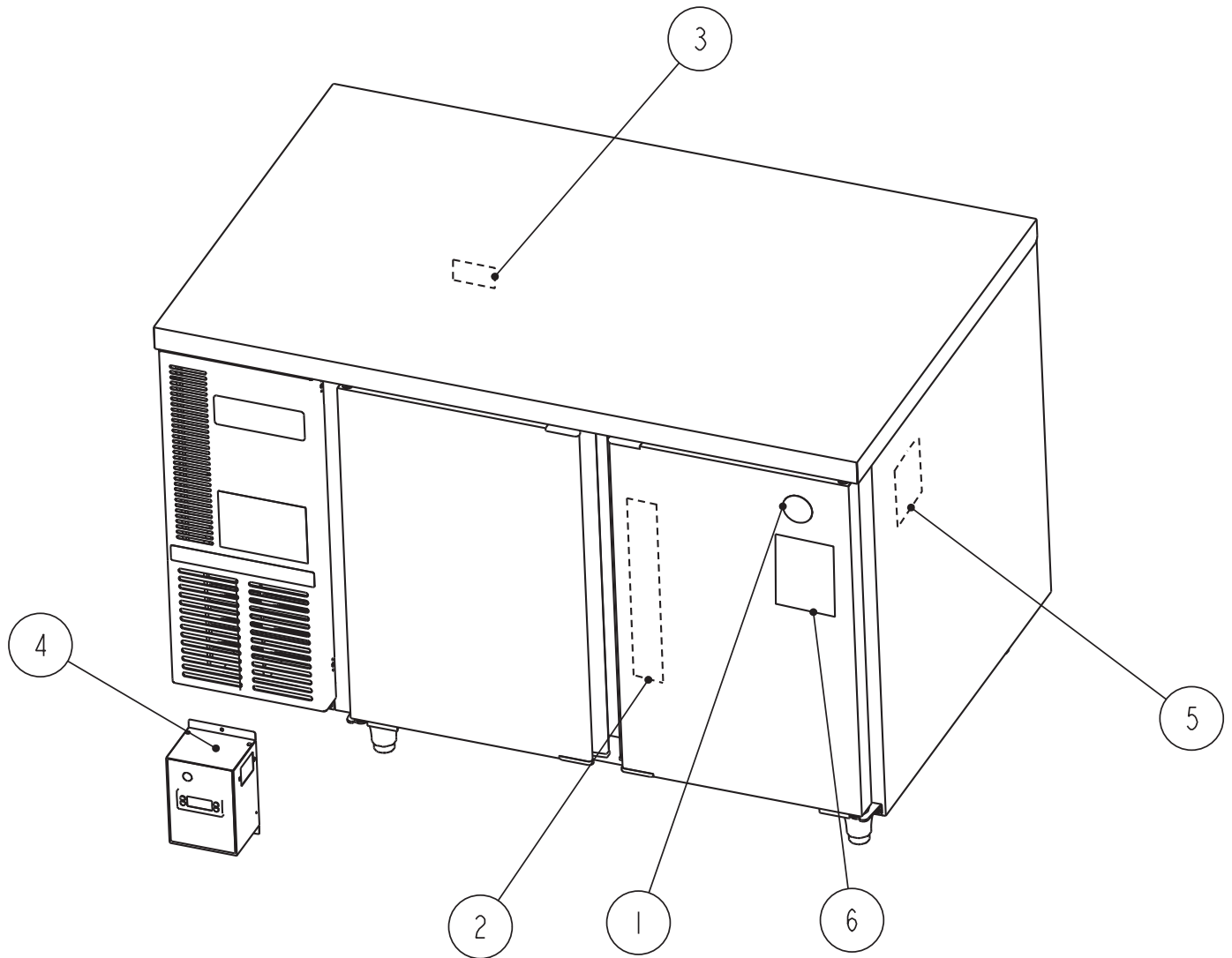
TITLE: **D. CONTROL BOX AY**  
**(S-32008)**

INDEX NO.	DESCRIPTION	MATERIAL OR MODEL NUMBER	PART NUMBER	REQ'D NUMBER			
				J-0 and later			
1	CONTROL BOX		3S2974G01	1			
2	CONTROLLER		P05371-01	1			
3	CONTROL LABEL		390620L01	1			
4	FUSE HOLDER		P00084-01	1			
5	FUSE		P01432-01	1			
6	GROMMET		4H2568-02	2			

RT-96MA-A,98MA-A  
RT-126MA-A,128MA-A  
RT-156MA-A,158MA-A  
RT-186MA-A,188MA-A

E. LABEL LOCATION

(J-0) and later



MODEL: **RT-96MA-A,98MA-A**  
**RT-126MA-A,128MA-A**  
**RT-156MA-A,158MA-A**  
**RT-186MA-A,188MA-A**

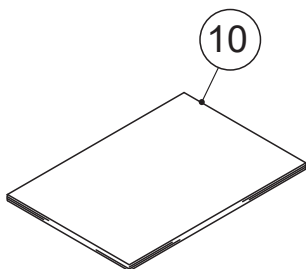
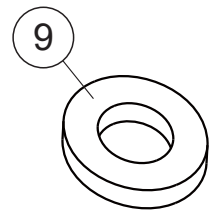
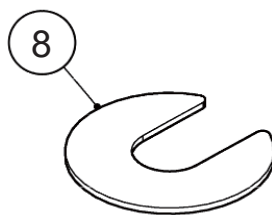
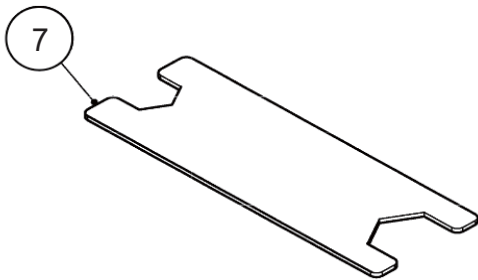
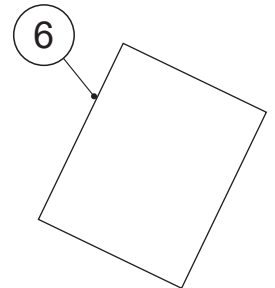
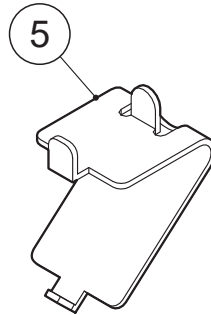
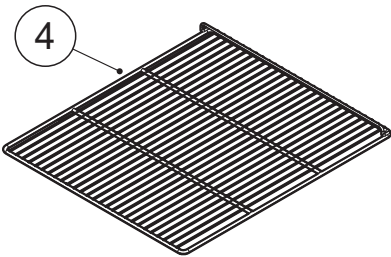
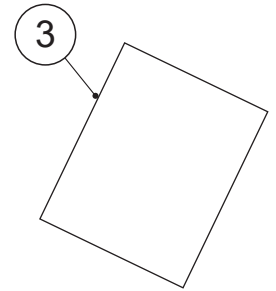
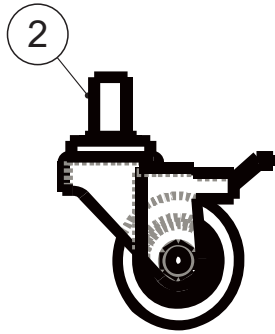
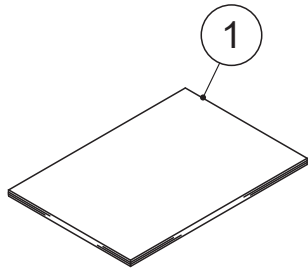
TITLE: **E. LABEL LOCATION**

INDEX NO.	DESCRIPTION	MATERIAL OR MODEL NUMBER	PART NUMBER	REQ'D NUMBER			
				J-0 and later			
1	CHARACTER LABEL - PENGUIN		475552L01	1			
2	INSTRUCTION LABEL		375667L01	1			
3	PL LABEL-ELECTRIC SHOCK		474438L01	1			
4	WIRING LABEL	RT-96MA, RT-98MA	390118L01	1			
		RT-126MA, RT-128MA	390119L01	1			
		RT-156MA, RT-158MA					
		RT-186MA, RT-188MA					
5	NAME PLATE	RT-96MA	280102L01	1			
		RT-98MA	280102L05	1			
		RT-126MA	280102L02	1			
		RT-128MA	280102L06	1			
		RT-156MA	280102L03	1			
		RT-158MA	280102L07	1			
		RT-186MA	280102L04	1			
		RT-188MA	280102L08	1			
6	LABEL - HACCP		476519L01	1			

RT-96MA-A,98MA-A  
RT-126MA-A,128MA-A  
RT-156MA-A,158MA-A  
RT-186MA-A,188MA -A

F. ACCESSORIES

(J-0) and later



MODEL: RT-96MA-A,98MA-A  
RT-126MA-A,128MA-A  
RT-156MA-A,158MA-A  
RT-186MA-A,188MA-A

TITLE: F. ACCESSORIES

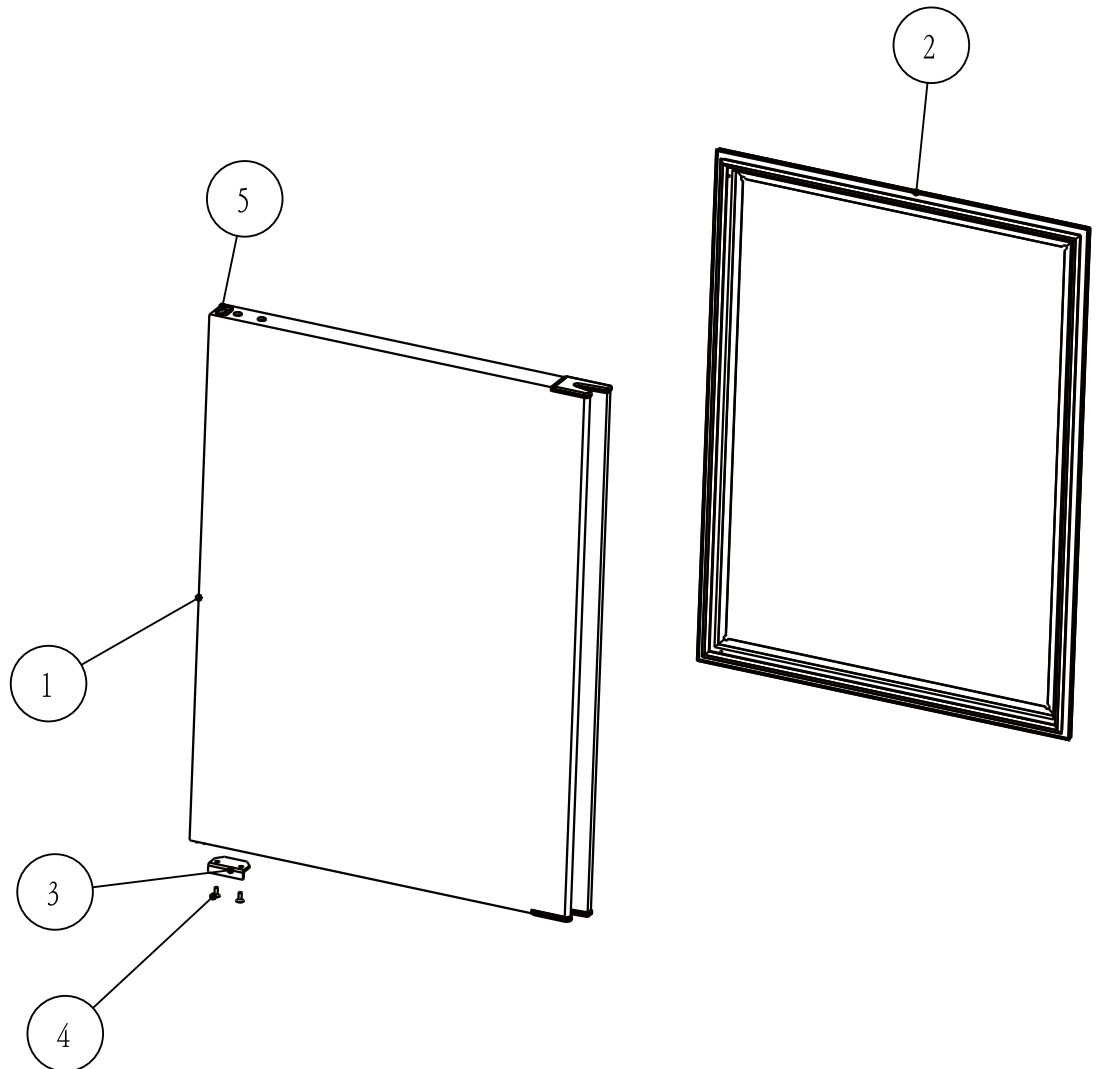
INDEX NO.	DESCRIPTION	MATERIAL OR MODEL NUMBER	PART NUMBER	REQ'D NUMBER			
				J-0 and later			
1	INSTRUCTION MANUAL		L1T263111	1			
2	CASTER	RT-96MA,RT-98MA	P00635-01	5			
		RT-126MA,RT-128MA		4			
		RT-156MA,RT-158MA					
		RT-186MA,RT-188MA					
3	PE STANDARD BAG		7V90-0012	1			
4	SHELF A	RT-126MA	3S3016G01	4			
	SHELF B	RT-156MA	3S3016G02	4			
	SHELF C	RT-186MA	3S3016G03	4			
	SHELF D	RT-96MA,RT-186MA	3S3016G04	2			
	SHELF E	RT-128MA	3S3016G05	4			
	SHELF F	RT-158MA	3S3016G06	4			
	SHELF G	RT-188MA	3S3016G07	4			
	SHELF H	RT-98MA,RT-188MA	3S3016G08	2			
5	CLIP-SHELF	RT-96MA,RT-98MA	428957-01	8			
		RT-126MA,RT-128MA		16			
		RT-156MA,RT-158MA					
		RT-186MA,RT-188MA			24		
6	POLYETHYLENE BAG (300*450)		7V90-0015	1			
7	SPANNER		471513M01	1			
8	SPACER - CASTER		471512M01	5			
9	FLAT WASHER		FWPL20F0	5			
10	INSTRUCTION SHEET - CASTER		377682L01	1			



RT-96MA-A,98MA-A  
RT-126MA-A,128MA-A  
RT-156MA-A,158MA-A  
RT-186MA-A,188MA -A

H. DOOR L,AY

(J-0) and later



MODEL: **RT-96MA-A,98MA-A**  
**RT-126MA-A,128MA-A**  
**RT-156MA-A,158MA-A**  
**RT-186MA-A,188MA-A**

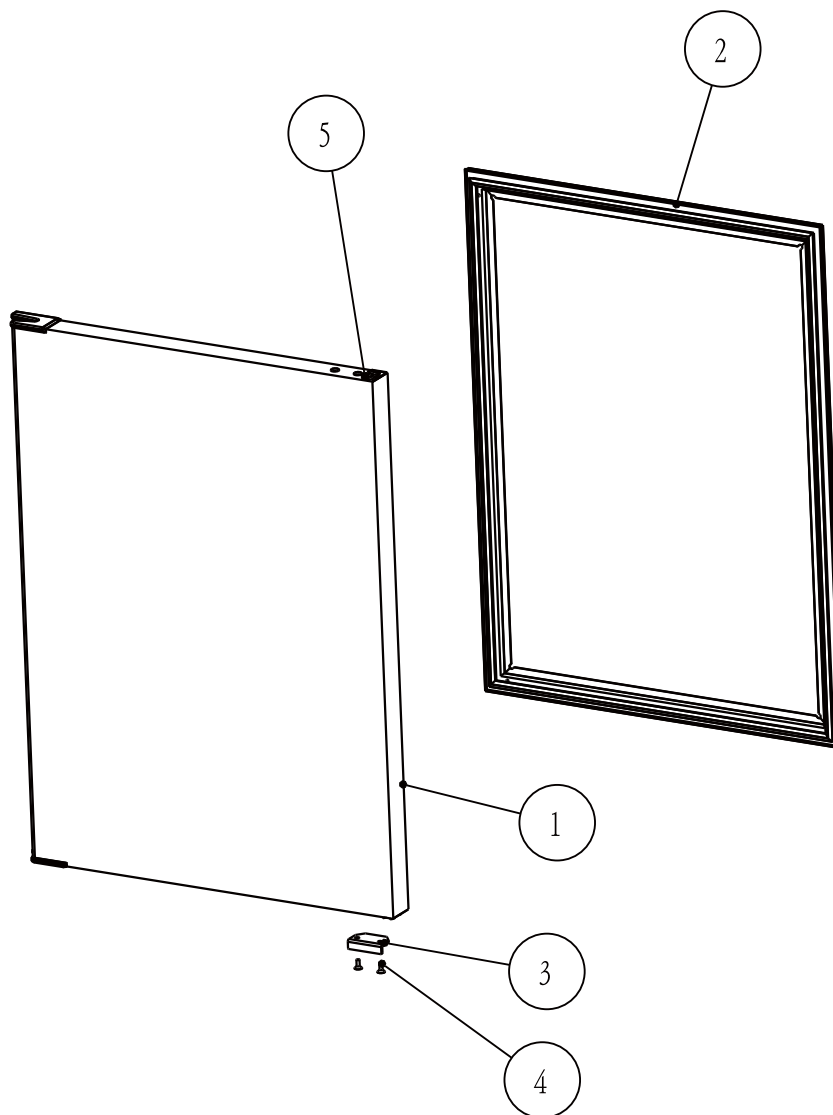
TITLE: **H. DOOR L,AY**  
**(S-30860,S-30203,S-30205,S-30207)**

INDEX NO.	DESCRIPTION	MATERIAL OR MODEL NUMBER	PART NUMBER	REQ'D NUMBER			
				J-0 and later			
1	DOOR - INSULATION	RT-96MA,98MA	276595G01	1			
		RT-126MA,128MA	274094G04	1			
		RT-156MA,158MA	274094G01	1			
		RT-186MA,188MA	274094G02	1			
2	DOOR GASKET	RT-96MA,98MA	2R5297G04	1			
		RT-126MA,128MA	2R5297G01	1			
		RT-156MA,158MA	2R5297G04	1			
		RT-186MA,188MA	2R5297G03	1			
3	DOOR STOPPER		454210-01	1			
4	FLAT HEAD TAPPING SCREW (S-TITE)		FTF0512M0	2			
5	TRUSS HEAD SCREW		FST0508S0	2			

RT-126MA-A,128MA-A  
RT-156MA-A,158MA-A  
RT-186MA-A,188MA-A

J. DOOR R,AY

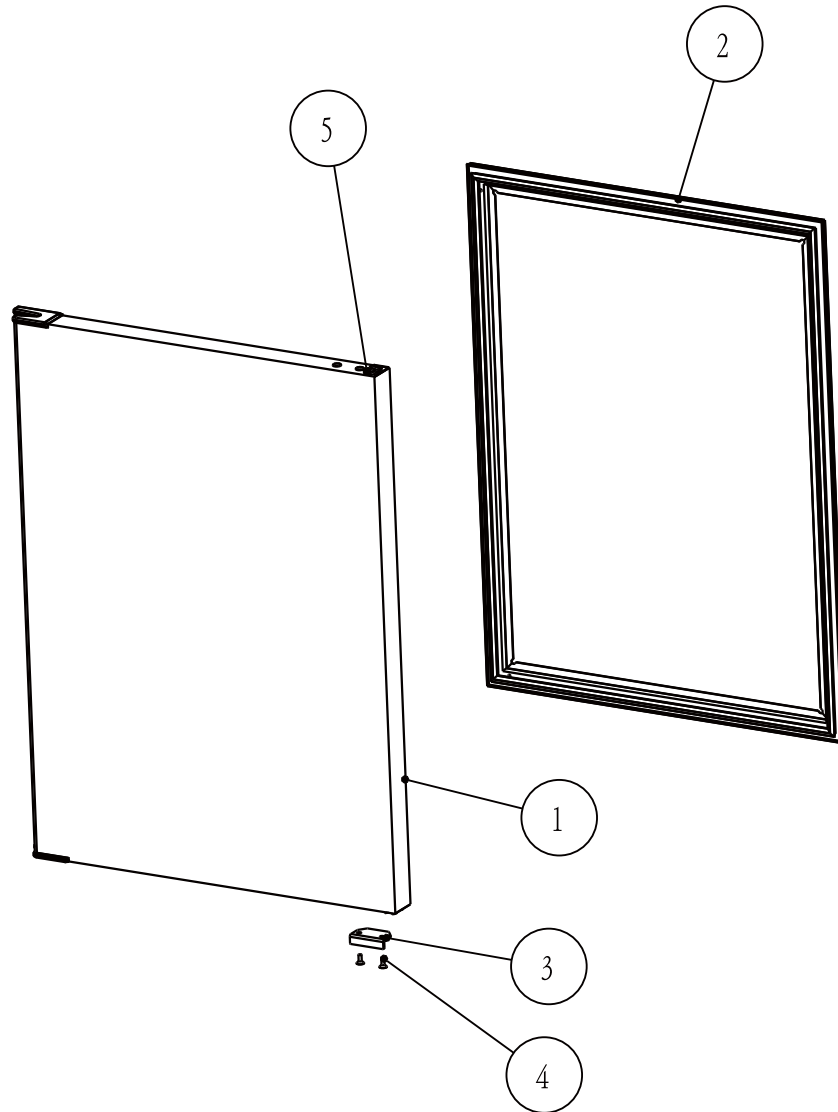
(J-0) and later



MODEL: RT-126MA-A,128MA-A  
 RT-156MA-A,158MA-A  
 RT-186MA-A,188MA-A

TITLE: J. DOOR R,AY  
 (S-30204,S-30206,S-30208)

INDEX NO.	DESCRIPTION	MATERIAL OR MODEL NUMBER	PART NUMBER	REQ'D NUMBER			
				J-0 and later			
1	DOOR - INSULATION	RT-126MA,128MA	274094G04	1			
		RT-156MA,158MA	274094G01	1			
		RT-186MA,188MA	274094G02	1			
2	DOOR GASKET	RT-126MA,128MA	2R5297G01	1			
		RT-156MA,158MA	2R5297G04	1			
		RT-186MA,188MA	2R5297G03	1			
3	DOOR STOPPER		454210-01	1			
4	FLAT HEAD TAPPING SCREW (S-TITE)		FTF0512M0	2			
5	TRUSS HEAD SCREW		FST0508S0	2			



MODEL: RT-186MA-A,188MA-A

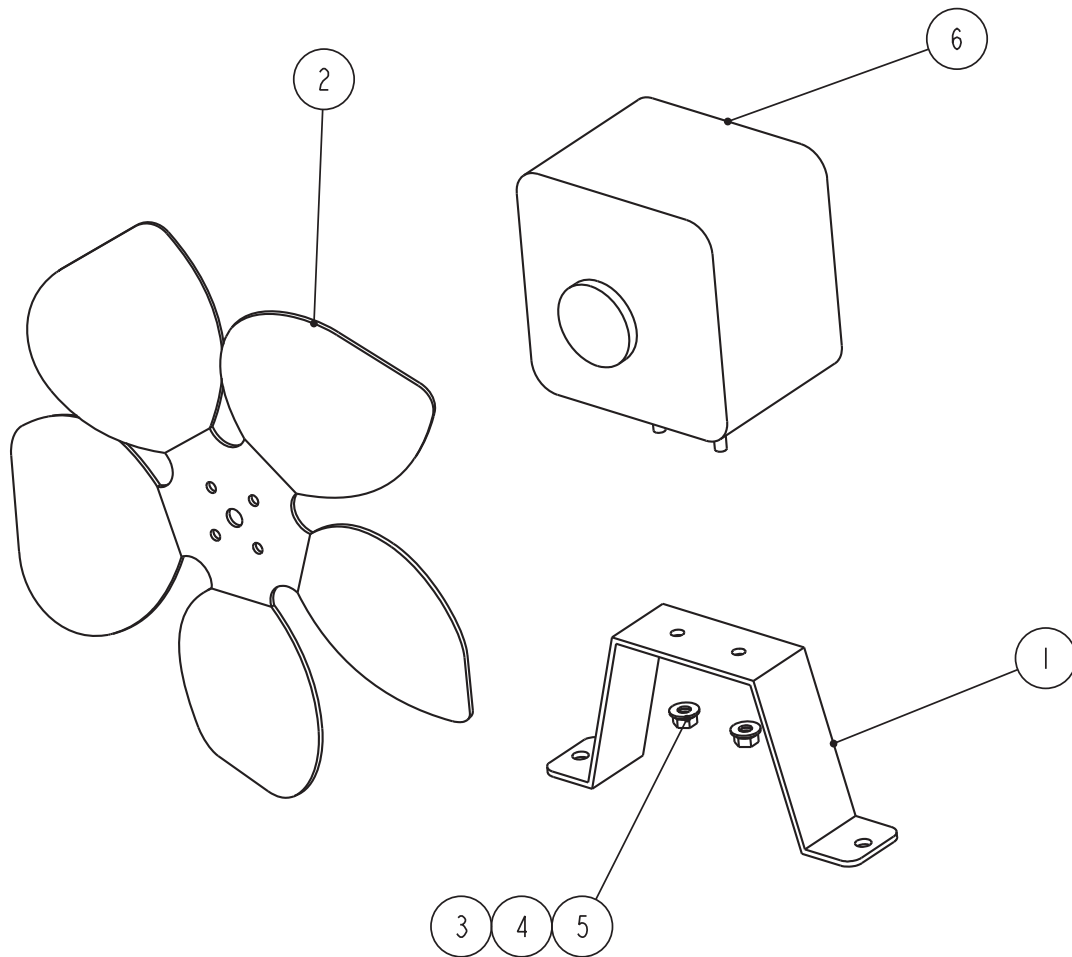
TITLE: L. DOOR R,AY  
(S-30210)

INDEX NO.	DESCRIPTION	MATERIAL OR MODEL NUMBER	PART NUMBER	REQ'D NUMBER			
				J-0 and later			
1	DOOR - INSULATION	RT-186MA,188MA	274094G03	1			
2	DOOR GASKET	RT-186MA,188MA	2R5297G02	1			
3	DOOR STOPPER		454210-01	1			
4	FLAT HEAD TAPPING SCREW (S-TITE)		FTF0512M0	2			
5	TRUSS HEAD SCREW		FST0508S0	2			

RT-96MA-A,98MA-A  
RT-126MA-A,128MA-A  
RT-156MA-A,158MA-A  
RT-186MA-A,188MA-A

K. FAN MOTOR AY

(J-0) and later



MODEL: RT-96MA-A,98MA-A  
 RT-126MA-A,128MA-A  
 RT-156MA-A,158MA-A  
 RT-186MA-A,188MA-A

TITLE:K. FAN MOTOR AY

INDEX NO.	DESCRIPTION	MATERIAL OR MODEL NUMBER	PART NUMBER	REQ'D NUMBER			
				J-0 and later			
1	BRACKET - FM		4R4476M01	1			
2	FAN BLADE		P00006-01	1			
3	FLAT WASHER		FWPL04S0	2			
4	SPRING WASHER		FWSP04S0	2			
5	NUT		FNH104S0	2			
6	FAN MOTOR		4R5617G02	1			