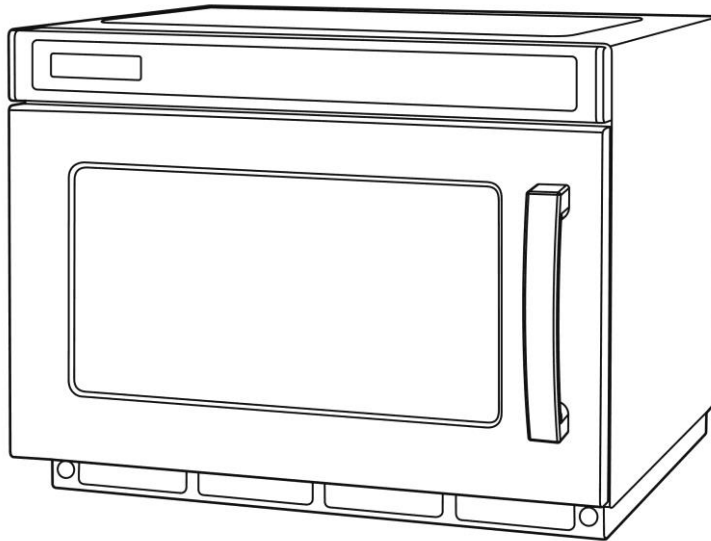




ROBATHERM

Proudly Distributed By

ROBAND 



OPERATING INSTRUCTIONS

COMMERCIAL MICROWAVE OVEN

Models: **RM2117** **Version 1**

- Features:**
- Dual Magnetron
 - Stackable, up to 2 microwaves
 - 2100W Power Output
 - Stainless Steel Construction
 - Ceramic Base
 - 15A Plug
 - Internal Capacity 17L
 - 100 Programmable menus + Multi-stage cooking
 - 32kg

Roband® Australia is a wholly Australian owned company and has been manufacturing quality commercial catering equipment for the food service industry for more than 50 years. Roband products are engineered and manufactured to the highest standards to provide functionality, reliability and durability, and our quality products are exported world-wide.

Included in the comprehensive Roband® range are Toasters, Fryers, Milkshake Mixers, Rotisseries, Food Display Cabinets and much more.

Roband® Australia also acts as the Australian agents for Vitamix® Blenders, Noaw® Meat Slicers, Förje® Cookware, Robalec™ Soup/Rice Warmers, Robatherm® Urns, Robatherm® Microwaves, Halde food processing machines, Austheat® Fryers, Dipol Induction & Autofry.

For a complete set of brochures please contact your nearest authorised dealer or Roband head office.

| Roband Head Office Sydney, Australia | |
|---|--|
| Roband Australia Pty Ltd 1 Inman Road Dee Why NSW 2099 AUSTRALIA | Tel: +61 2 9971 1788 Fax: +61 2 9971 1336 Email: sales@roband.com.au Web: www.roband.com.au |
| International Agents For additional agents please email Head Office | |
| Belgium Linum Europe Ph: +32 (0)56 35 92 96 | Noumea: Comptoir Materiel Professionnel Ph: +687 28 50 43 |
| Germany Lölsberg Ph: +49 9305989780 | Papua New Guinea: Brian Bell & Company Pty Ltd Ph: +675 325 5411 |
| GREECE K&N Engineers Ltd Ph: +30 210 520 0440 | Singapore: Allied Foodservice Equipment Ph: +65 62525880 |
| Hong Kong: Chung Wah Kitchen Machine Ltd Ph: +852 2334 5411 | South Africa Foodservice Solutions (Pty) Ltd Ph: +31 306 017 442 |
| Italy NOAW Ph: +39 0331 219723 | Thailand: Seven Five Distributors Co Ltd Ph: +662 866 5858 |
| Malaysia: Allied Food Equipment Ph: +603 9133 5833 | United Kingdom Metcalfe Catering Equipment Ph: +44 (0) 1766 830456 |
| Maldives: Radiant Heat Maldives Pty Ltd Ph: +960 333 4845 | United Arab Emirates: Boncafe Middle East LLC +9714 282 8742 |
| New Zealand: Roband New Zealand Ph: +649 274 1354 | United Arab Emirates: Nisa Trading LLC +9714 396 6132 |

© Copyright 2019 – Roband® Australia Pty Ltd

All rights reserved. No part of this work may be reproduced or copied in any form or by any means, electronic or mechanical, including photocopying or posting to a website, without the written permission of the publisher. The material contained within this document is intended entirely for instructional purposes.

CONTENTS

| | |
|---|----|
| SPECIFICATIONS | 3 |
| SAFETY | 4 |
| CLEANING, CARE & MAINTENANCE | 5 |
| INSTALLATION..... | 7 |
| OPERATION..... | 8 |
| NORMAL COOKING - MANUAL OPERATION | 8 |
| STAGED COOKING | 9 |
| PROGRAMMED MENU OPERATION | 9 |
| PROGRAMMED MENU SETUP | 10 |
| ON THE FLY COOKING | 10 |
| LOAD PROGRAMS FROM USB..... | 11 |
| DOUBLE AND TRIPLE QUANTITY FUNCTION | 12 |
| DEFROST COOKING | 12 |
| ADVANCED USER SETTINGS..... | 12 |
| RESTORE FACTORY DEFAULTS | 14 |
| MATERIALS SUITABLE FOR USE | 14 |
| TROUBLESHOOTING | 14 |
| WARRANTY | 15 |

SPECIFICATIONS

| | |
|--|--|
| Model | RM2117 |
| Power Source | 230 Volts AC ~ 50Hz |
| Input Power | 3200 Watts |
| Output Power | 2100 Watts |
| Oven Capacity | 17 Litres |
| Oven Cavity (W x D x H) | 330 x 310 x 175 mm |
| External Dimensions (W x D x H) | 420 x 563 x 340 mm (includes handle and standoff) |
| Net Weight | Approx. 32Kg |

Specifications subject to change without notice

SAFETY

GENERAL SAFETY WARNINGS

- Read and follow all instructions in this manual prior to using this product
- This appliance is not intended for use by persons (including children) with reduced physical, sensory or mental capabilities, or lack of experience and knowledge, unless they have been given supervision or instruction concerning use of the appliance by a person responsible for their safety.
- Children should be supervised to ensure that they do not play with the appliance.
- It is hazardous for anyone other than a competent person to carry out any service or repair operation that involves the removal of a cover which gives protection against exposure to microwave energy.
- Touching internal electrical components may cause serious injury or death, even with the microwave unplugged. Do not remove cover unless qualified to do so.
- Do not cover or block filter or ventilation openings
- Keep cord away from heated surfaces
- This product is suitable for commercial use only

OPERATION SAFETY WARNINGS

- Do not operate oven without food or load in oven cavity
- Liquids and other foods must not be heated in sealed containers since they are liable to explode.
- Microwave heating of beverages can result in delayed eruptive boiling, therefore care must be taken when handling the contents.
- The contents of feeding bottles and baby food jars shall be stirred or shaken and the temperature checked before consumption, in order to avoid burns.
- Only use utensils that are suitable for use in microwave ovens.
- Do not put metal in the oven
- When heating food in plastic or paper containers, keep an eye on the oven due to the possibility of ignition. If smoke is observed, switch off or unplug the appliance and keep the door closed in order to stifle any flames.
- Eggs in their shell and` whole hard-boiled eggs should not be heated in microwave ovens since they may explode, even after microwave heating has ended.
- The oven should be cleaned regularly and any food deposits should be removed. Failure to maintain the oven in a clean condition could lead to deterioration of the surface that could adversely affect the life of the appliance and possibly result in a hazardous situation.

MICROWAVE SAFETY WARNINGS:

- If the door or door seals, door hinges or any part of the machine is damaged, the oven must not be operated until it has been repaired by an authorised person.
- Do not place any object between the oven front face and the door, or allow soil or cleaning residue to accumulate on sealing surfaces
- Do not attempt to operate this appliance with the door open.
- Do not tamper with interlock safety switches
- This product should not be repaired by anyone other than trained service personnel.

CLEANING, CARE & MAINTENANCE

IMPORTANT: Before cleaning or maintenance commences, ensure the microwave is disconnected from power and has cooled down.

- Toxic cleaners should be avoided when cleaning the inside of the Microwave as they may contact food.
- Caustic cleaners should always be avoided, as they may damage components inside and outside the unit.
- This unit is not suitable for cleaning with the use of a water jet or immersion.
- The door frame, seal and parts nearby must be cleaned carefully with a damp cloth when they are dirty.
- Do not use harsh abrasive cleaners or sharp metal scrapers to clean the oven door glass since they can scratch the surface, causing damage to the door or shielding mesh within.
- **CAUTION:** Do not wipe plastic and painted sections of the oven with bleach, thinners or other cleaning agents, as this may cause these parts to dissolve or change shape.
- If the supply cord is damaged it must be replaced by a cord set supplied by Roband. Internal maintenance should only be performed by a Roband appointed service agent or similarly qualified person in order to avoid a hazard.

Cleaning the control panel and plastic parts:

Do not use a detergent or an alkaline spray to clean the control panel or plastic parts as this may cause damage. Use a dry cloth to clean.

Cleaning the Microwave interior:

After use clean up spilled liquids, spattered oil and food as quickly as possible. If the oven is used while dirty the efficiency drops and the food may get stuck on the

interior. Clean the interior with a cloth soaked in warm water with mild detergent dissolved in it, and then rinse the soap off with a damp cloth.

Filter Cleaning:

It is important to clean the air filter regularly to avoid clogging and overheating the microwave. To clean the air filter unfasten the mounting screws and remove filter. Wash with warm soapy water until unclogged, reinstall and fasten screws.

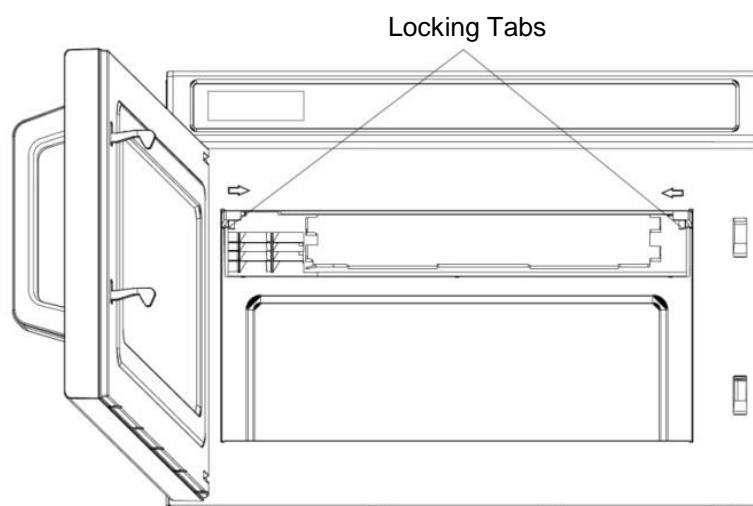
NOTE: A Clean filter reminder will display every 30 days. This can be shut off by pressing and holding the **'Stop'** button for 5 seconds while in idle mode.

Splash Shield Cleaning:

The Splash Shield can be removed for cleaning as follows:

- 1) Squeeze the left and right locking tabs inwards, as shown by the arrows, and then pull the Splash Shield down and out to remove from the oven.
- 2) Wash shield in warm soapy water. Do not place in dishwasher. Do not use cleaning chemicals or sanitiser.
- 3) After washing, reinsert Splash Shield by positioning the rear end back into its position holes, then raise the front of shield until front clips lock back into their front positioning holes.

Caution: Ensure Splash Shield is installed correctly before operating microwave.



INSTALLATION

IMPORTANT: DO NOT USE THE MICROWAVE DOOR HANDLE TO LIFT THE MICROWAVE OVEN.

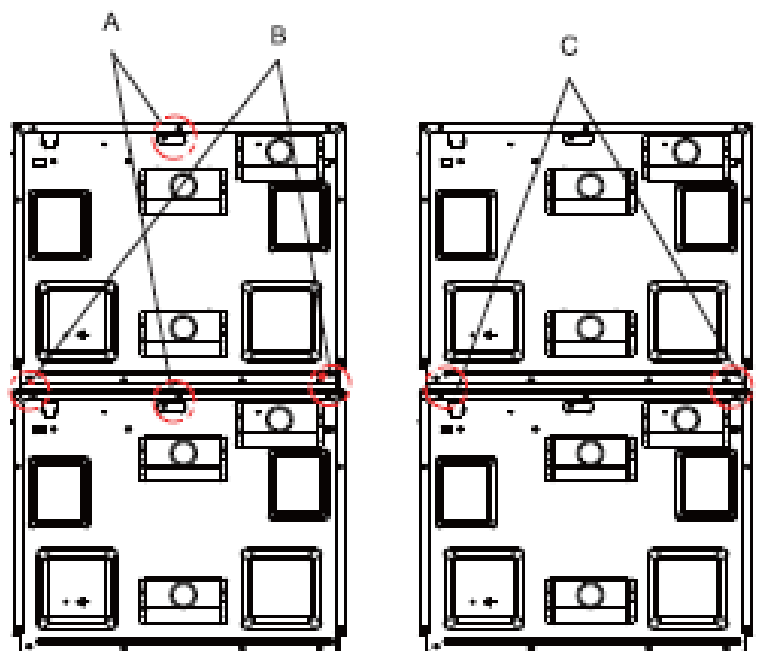
- Remove all the packaging materials, tape and any protective film on the microwave and inside the oven cavity.
- Examine the microwave oven and report any damage immediately. Do not attempt to use the oven if there is damage
- Install on a stable, flat surface. This microwave is designed for counter use only.
- Product should be installed at counter height only.
- A 100mm clearance should be kept between the appliance and the right and back walls, and at least 300mm spacing kept on top. The left hand-side must be open.
- Do not obstruct filter or ventilation openings
- Install away from TV and radio sets as reception and radio interference might be affected
- Do not position Microwave near heat, water, oil or steam
- Do not connect to power using an extension cord

WARNING: This product must be earthed. Ensure appliance is plugged into a properly earthed power outlet.

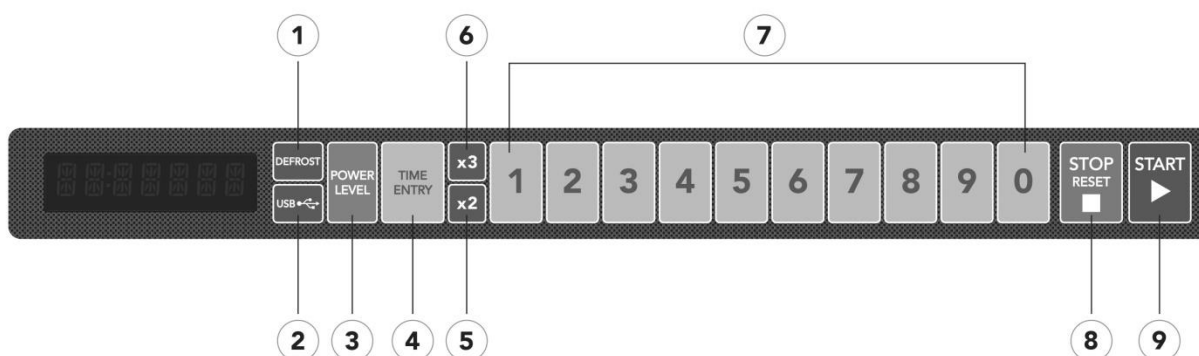
Stacked installation:

Where 2 microwaves are to be stacked on top of each other, use the mounting plate on the back of the each machine by unscrewing them and screwing the machines together as detailed below;

- 1) Unscrew and remove the mounting plate, and then retighten the screws (A)
- 2) Remove the four screws as shown (B)
- 3) Use the 4 screws to fasten 2 mounting plates at each side (C)
- 4) Never remove the feet of the appliance or stack more than two microwaves on top of each other.



OPERATION



- (1) **DEFROST:** Defrost cooking mode
- (2) **USB:** To program menus using USB drive
- (3) **POWER LEVEL:** Used to set Power
- (4) **TIME ENTRY:** Press to enter cooking time
- (5) **X2:** Double quantity setting
- (6) **X3:** Triple quantity setting
- (7) **NUMBERS 0-9:** Program menu and input
- (8) **STOP / RESET:** Stop cooking & clear display
- (9) **START:** Begin cooking

NORMAL COOKING - MANUAL OPERATION

- 1) Open the door and insert food in the oven. Close the door. “Ready” will display.
- 2) Set cooking time by pressing ‘**Time Entry**’ then enter cooking time using the numeral keypad
- 3) Set Power level by pressing ‘**Power Level**’ then select desired power using ‘**0-9**’ on the numeral keypad. Power can be set in 10% increments.

NOTE: The microwave will operate at 100% power if no power level is selected

- 4) Press ‘**Start**’ to begin cooking
- 5) Cooking can be paused by pressing ‘**Stop**’ once or by opening the door. To resume cooking while paused, press ‘**Start.**’ Pressing ‘**Stop**’ while paused will clear remaining time.

NOTE: The oven can be programmed for a maximum of 60 minutes

NOTE: Using a Low power may increase cooking time, but will produce a more uniform result in foods such as dairy and meats.

The cooling fan will run to prevent microwave components from overheating.

STAGED COOKING

The microwave can cook in sequences of up to 3 Time / Power settings which run sequentially without further input from the user. The display will show the total time while cooking.

Stage 1

- 1) Open the door and insert food in the oven. Close the door. “Ready” will display.
- 2) Set cooking time by pressing ‘**Time Entry**’ then enter cooking time using the numeral keypad
- 3) Set Power level by pressing ‘**Power Level**’ then select desired power using ‘**0-9**’ on the numeral keypad. Power can be set in 10% increments.

NOTE: The microwave will operate at 100% power if no power level is selected

Stage 2 & 3

- 4) Press ‘**Time Entry**’ and enter desired cooking time for Stage 2
- 5) Enter Power Level for Stage 2 by pressing ‘**Power Level**’ then selecting desired power using ‘**0-9**’ on the numeral keypad.
- 6) Repeat Steps 4) and 5) if Stage 3 is required
- 7) Press ‘**Start**’ to begin cooking or ‘**Stop**’ to cancel programming. Display will show total time and run through the stages automatically.
- 8) Cooking can be paused by pressing ‘**Stop**’ once. Pressing ‘**Stop**’ while paused will clear remaining time. To resume cooking while paused, press ‘**Start**’

PROGRAMMED MENU OPERATION

The microwave can store up to 10 Pre-Programmed Time / Power sequences. This can be increased to 100 Programs under “Advanced User Settings.”

To select a pre-programmed sequence;

- 1) Open the door and insert food in the oven. Close the door. “Ready” will display
- 2) Enter the ‘**NUMBER**’ for the desired program ‘**0-9**’, OR select ‘**00-99**’ when 100 programs is enabled.
- 3) The oven will then begin the programmed cook sequence.

PROGRAMMED MENU SETUP

- 1) Open the door
- 2) Press and Hold '**1**' for 5 seconds. The display will read "**PROGRAM**"
- 3) Enter the Program number to be changed - '**0-9**', OR '**00-99**' when 100 programs is enabled.
- 4) Set cooking time using numeral keypad
- 5) Set Power level by pressing '**Power Level**' then select desired power using '**0-9**' on the numeral keypad. Power can be set in 10% increments.

NOTE: *The microwave will operate at 100% power if no power level is selected*

Staged Programming

Staged cooking sequences can also be saved to the programmed menu. A staged program will cook in 2-3 sequential Time/Power stages.

- 6) If **Staged cooking** is required, press '**Time Entry**' then repeat steps 4 and 5 for up to 3 stages
- 7) Press '**Start**' to save or '**Stop**' to cancel
- 8) When a staged program is run the microwave will run through each stage automatically without user input. The display will show total time for all stages.

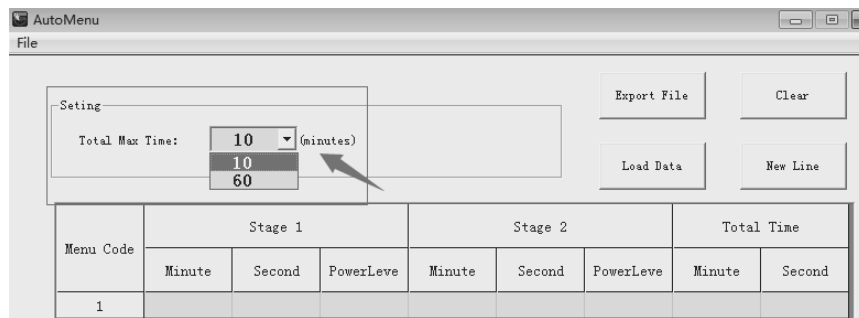
ON THE FLY COOKING

During cooking, any Pre-Programmed Menu can be run "on the fly" by pressing the corresponding number. In this situation, the remaining time and power will be updated to that of the Programmed menu.

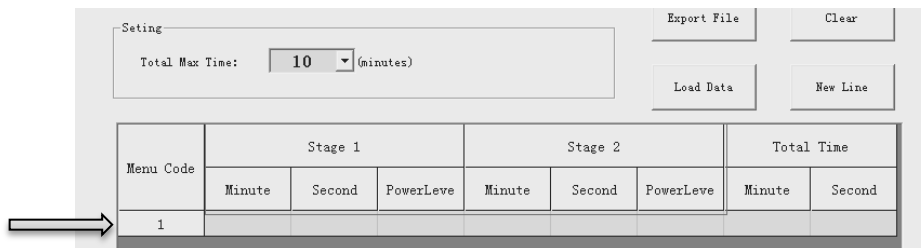
LOAD PROGRAMS FROM USB

Programmed Menu's 0-19 can be set up using the USB connection with the MenuEdit software.

- 1) Insert USB card into PC based computer.
- 2) Run AutoMenu_Setup.exe (as administrator.) Install MenuEdit software.
- 3) Open MenuEdit software.
- 4) Set the total maximum time for any Programmed Menu button.



- 5) Enter the minutes, seconds and power for first Programmed Menu. Up to two stages of cooking can be set for time/power.



- 6) Click '**New Line**' to add another Programmed Menu row. You can program menus 0-19 with the software.



- 7) Once all Programmed Menu's have been entered, Click '**Export File**' and save table as UTABLE.C on a FAT formatted USB drive. UTABLE.C should be saved to the Root directory of the USB device (not in a folder).

- 8) To load the programmed menu's into the microwave, insert the USB into the socket on the front panel of the microwave and press the **'USB'** button while in Ready mode.
- 9) Remove the USB drive once the program has finished loading.
"SUCCESS" will be displayed once the program has loaded correctly.

DOUBLE AND TRIPLE QUANTITY FUNCTION

The cooking times of programmed menus can be doubled or tripled by pressing **'X2'** or **'X3'**, in either of the following sequences';

- 1) Select **'X2'** or **'X3'** Before selecting desired Pre-Programmed Menu, OR;
- 2) Begin cooking by selecting desired Pre-Programmed Menu, and then press **'X2'** or **'X3'** during the first 5 seconds of the program and the oven will continue cooking applying the multiple quantity time.

DEFROST COOKING

The defrost function will run at a 20% power level for the time entered. To use the defrost function use the following steps.

- 1) In 'Ready' mode press the 'Defrost' button.
- 2) Enter time required (up to 99 minutes) and press then press 'Start'.

ADVANCED USER SETTINGS

User options can be changed to customise the machine.

- 1) Open the oven door and hold number '2' for 5 seconds. 'OP:--' is displayed.
- 2) Enter the number you want in relation to the setting you want to modify. (see table below)
- 3) Press the same digit again to cycle through the available options.
E.g. To set the buzzer volume to medium. Press **'2'** and **'OP:22'** is displayed. Each subsequent press of **'2'** will cycle through the options as follows: **'OP:20', 'OP:21', 'OP:22', 'OP:23', 'OP:20'...**
- 4) Press **'Start'** to save the current setting.

- 5) After modifying desired settings, press '**Stop**' and close door to exit. Oven will enter back into '**Ready**' mode.

| Option | | Setting | Description |
|--------|--------------------|--------------|---------------------------------|
| 1 | Buzzer Tone | OP:10 | 3 seconds beep |
| | | OP:11 | Continuous beep |
| | | OP:12 | 5 quick beeps, repeating |
| 2 | Buzzer Volume | OP:20 | Beeper Off |
| | | OP:21 | Low |
| | | OP:22 | Medium |
| | | OP:23 | High |
| 3 | Buzzer On/Off | OP:30 | Keypad beep Off |
| | | OP:31 | Keypad beep On |
| 4 | Keyboard Window | OP:40 | 15 seconds |
| | | OP:41 | 30 seconds |
| | | OP:42 | 60 seconds |
| | | OP:43 | 120 seconds |
| 5 | On the Fly | OP:50 | On-the-Fly Disabled |
| | | OP:51 | On-the-Fly Enabled |
| 6 | Door Reset | OP:60 | Door reset Disabled |
| | | OP:61 | Door Reset Enabled |
| 7 | Max time | OP:70 | 60 Minute Maximum Cook Time |
| | | OP:71 | 10 Minute Maximum Cook Time |
| 8 | Manual Programming | OP:80 | Manual Programming Disabled |
| | | OP:81 | Manual Programming Enabled |
| 9 | Double Digit | OP:90 | Single Digit Mode-10 programs |
| | | OP:91 | Double Digit Mode-100 programs |
| 0 | Clean filter | OP:00 | Off-Never Display Clean filter |
| | | OP:01 | Weekly-Display every 7 days |
| | | OP:02 | Monthly-Display every 30 days |
| | | OP:03 | Quarterly-Display every 90 days |

Note: Settings in bold are default settings

RESTORE FACTORY DEFAULTS

Follow the steps below to return the unit to factory default settings. **Note:** all programmable menus will be restored to default by this procedure.

- 1) In 'Ready' mode press and hold '**Start**' and '**0**' together for 5 seconds, until buzzer sounds and '**CHECK**' is displayed.
- 2) The screen will display "**CHECK**" then '**00**' if the unit is not in factory default mode, and '**11**' if the unit is already in default factory mode.
- 3) Press '**Start**' when '**00**' is displayed to reset the unit to the default factory settings.

MATERIALS SUITABLE FOR USE

- Items containing metal should not be used in the microwave as they may cause sparking. Even a small amount of metal plating on the edge of dishes and cups can cause sparking and should not be used.
- Combustible materials such as paper should be used with caution as they may ignite. Use only for short cooking times and only while attended.
- Plastic foam should not be used in the microwave as it may melt and contaminate food.
- Use only products marked as microwave safe for ceramic, glass and plastic products.

TROUBLESHOOTING

Only after all points below have been checked should you call for service:

If the Microwave is not working:

- ✓ Check that the machine is plugged into the power point correctly and the power is switched on and working.
- ✓ Check that the door is properly closed and not obstructed by food or any object.

If the Microwave is sparking in the cavity:

- ✓ Check that there are no metal utensils, metal containers or dishes with metal trim being used.

WARRANTY

The warranty conditions set out below are in addition to any warranties implied or governed by law.

Roband Australia warrants that this appliance shall be delivered free from defects in material and workmanship. The warranty for this product is offered to the original purchaser, to be free of fault in both workmanship and materials for a period of 12 months from date of purchase. Roband's obligations pursuant to this warranty are limited to the repair or replacement of the defective goods or materials, at its discretion and subject to the terms contained within this Warranty statement.

The following conditions apply;

The product must be installed, maintained and used under normal operating conditions within the scope of the operating instructions.

All warranty claims must be submitted to Roband or an authorised Roband dealer, and Roband authorisation must be granted prior to repairs being carried out. Proof of purchase is required for any repair authorisation.

Warranty is back to base, meaning delivery to and collection of your product to Roband or an authorized service agent is the responsibility of the purchaser.

The following exclusions apply;

Claims or faults arising from misuse, neglect, transport damage or other mechanical damage, including but not limited to; door's, hinges & interlock switches etc., other than those arising from manufacture or material defects.

Roband or any subsidiary company or Agent shall not be liable for loss of profit or damage to other equipment and property except where it is in breach of the guarantees provided in accordance with applicable legislation.

Roband reserves the right to reject a warranty claim if it is not satisfied with the circumstances under which the fault occurred or where a product has been altered from its original specification.

Any costs incurred for false claims or faults due to incorrect usage etc. are the responsibility of the claimant.

Any attempt to repair the product by non Roband approved service personnel or the use of non-genuine parts will void the warranty agreement

Our goods come with guarantees that cannot be excluded under the Australian Consumer Law. You are entitled to a replacement or refund for a major failure and compensation for any other reasonably foreseeable loss or damage. You are also entitled to have the goods repaired or replaced if the goods fail to be of acceptable quality and the failure does not amount to a major failure.

Extended Warranty;

Extended 12 months parts only warranty is offered for Heavy Duty dual magnetron machines making the total warranty period 24 months parts & 12 months labour (Subject to conditions and exclusions above)

Authorised service agents are located in most areas which have authorised distribution dealers. For the name of your nearest Australian authorised service agent, please contact:

Roband Australia Pty Ltd

1 Inman Road, Cromer, NSW 2099

Warranty: 1800 268 848, Phone: (02) 9971 1788 Fax: (02) 9971 1336

All other countries please contact your selling Agent.

Please complete the following details and keep this card in a safe place.

NAME _____

ADDRESS _____

MODEL No: _____ SERIAL No: _____ DATE PURCHASE _____

NAME OF DEALER: _____

PLEASE RETAIN THIS SECTION FOR YOUR RECORDS - **DO NOT POST**

OTHER PRODUCTS BY ROBAND:



FRY-POD FRYER



DRINK MIXERS



SYCLOID CONVEYOR TOASTER



GRILL STATION



VITAMIX BLENDER



NOAW SLICERS

Manufactured/Imported in Australia by:

ROBAND[®] 

Authorised Distributor/Agent