



Model: 55816 Portable Base w/Suction Cups
OPERATING AND MAINTENANCE INSTRUCTIONS
AND SERVICE PARTS LIST

INTRODUCTION

1. Please read instructions before using.
2. Clean the base thoroughly before and after all uses following cleaning instructions below.

PREPARATION

1. Clean the unit thoroughly before use.
2. If the unit fails to function properly when first used call NEMCO customer service at 1-800-782-6761.

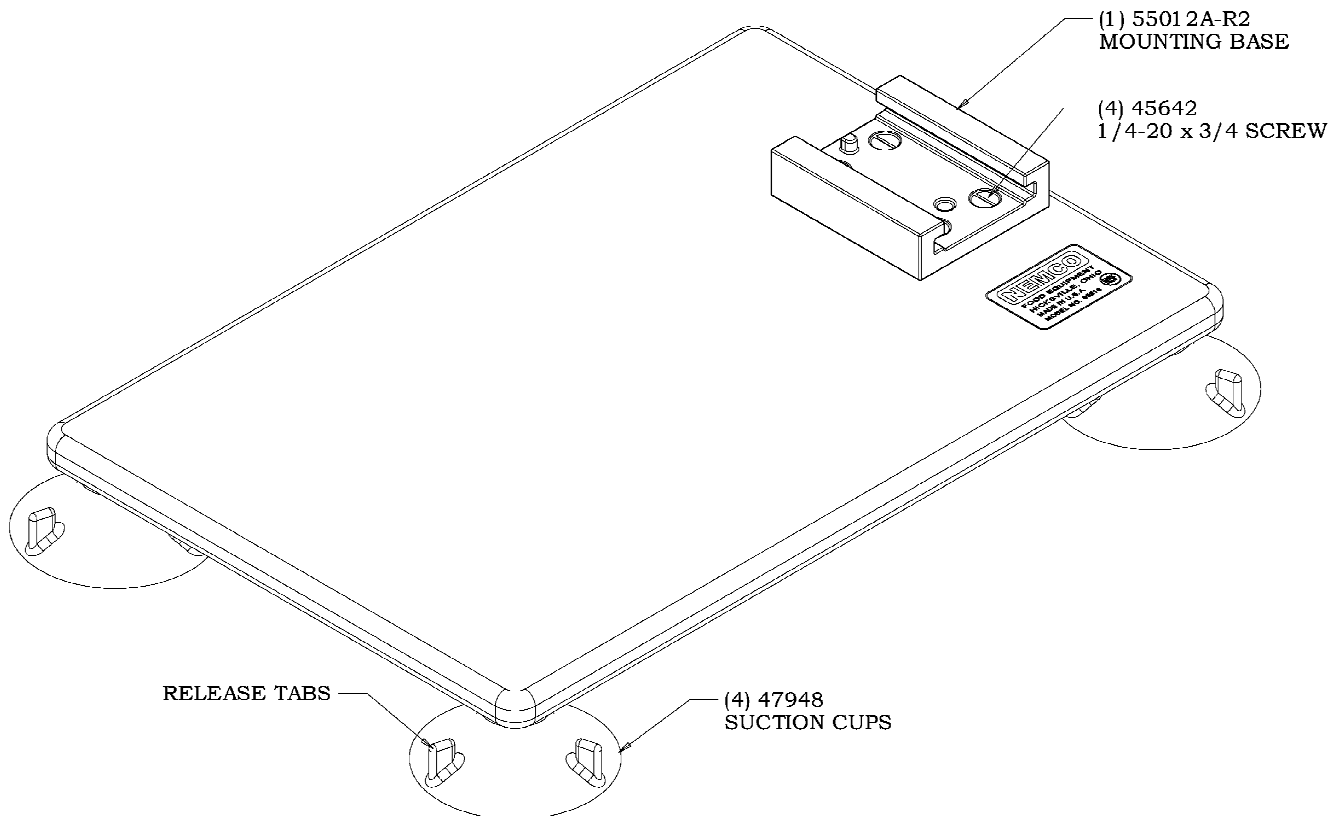
SETUP

1. Make sure the table and the SUCTION CUPS are clean before use.
2. Place the base on the table and press firmly to lock SUCTION CUPS down.
3. Slide the Easy Slicer into the base and lock it in by tightening the locking screw on the Easy Slicer.

CLEANING

NOTE: Proper maintenance plays an important part in the life span and functioning of the unit.

1. Remove the Easy Slicer from the base by loosening the locking screw and sliding it out.
2. **To remove the base from the table, lift up on the release tabs on each of the SUCTION CUPS.**
3. Wash the base in dishwasher using a soft cloth to avoid abrasion on the bottom surfaces of the SUCTION CUPS



NEMCO FOOD EQUIPMENT 301 Meuse Argonne, Hicksville, OH 43526

Phone: (419) 542-7751 Fax: (419) 542-6690 Toll free: 1-800-782-6761 47816

www.nemcofoodequip.com

3/24/10