



**ANVIL**

**MWA1400**

**Commercial Microwave Oven**

**Service Manual**

MANUFACTURING  
SINCE 1966

THE CHEFS COMPANION

Anvil imported and distributed by

**International Catering Equipment**

Unit B2, 6-10 Durdans Avenue,  
Rosebery NSW 2018 Australia

Ph: +61 2 8372 0800

[www.internationalcatering.com.au](http://www.internationalcatering.com.au)

**Caution:**

Our ongoing commitment to improving performance and reliability means that parts listed in this manual may be changed without prior notice.

For service and spare parts enquiries please contact International Catering Equipment on (02) 8372 0800.



***PRECAUTIONS TO BE OBSERVED BEFORE AND DURING SERVICING TO AVOID POSSIBLE EXPOSURE TO EXCESSIVE MICROWAVE ENERGY***

- (a) Do not operate or allow the oven to be operated with the door open.
- (b) Make the following safety checks on all ovens to be serviced before activating the magnetron or other microwave source, and make repairs as necessary: (1) Interlock operation, (2) Proper door closing, (3) Seal and sealing surfaces (arcing, wear, and other damage), (4) Damage to or loosening of hinges and latches, (5) Evidence of dropping or abuse.
- (c) Before turning on power to the microwave oven for any service test or inspection within the microwave generating compartments, check the magnetron, wave guide or transmission line, and cavity for proper alignment, integrity, and connections.
- (d) Any defective or misadjusted components in the interlock, monitor, door seal, and microwave generation and transmission systems shall be repaired, replaced, or adjusted by procedures described in this manual before the oven is released to the owner.
- (e) A microwave leakage check to verify compliance with the federal performance standard should be performed on each oven prior to release to the owner.

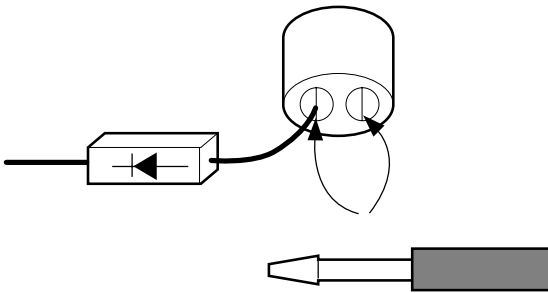
## TABLE OF CONTENTS

<b>CAUTIONS</b> .....	<b>2</b>
<b>INSTALLATIONS</b> .....	<b>3</b>
<b>SERVICE INFORMATION</b> .....	<b>4</b>
<b>CIRCUIT DESCRIPTION</b> .....	<b>4</b>
<b>PARTS LIST</b> .....	<b>5-6</b>
<b>PARTS DIAGRAM</b> .....	<b>7-8</b>
<b>TOOLS AND MEASURING INSTRUMENTS</b> .....	<b>9</b>
<b>MICROWAVE LEAKAGE TEST</b> .....	<b>9</b>
<b>MEASUREMENT OF MICROWAVE POWER OUTPUT</b> .....	<b>10</b>
<b>DISASSEMBLY AND ADJUSTMENT</b> .....	<b>11</b>
1. Removing The Door.....	<b>12</b>
2. Removing The Antenna Stirrer System .....	<b>12</b>
3. Removing The Cooling Fan.....	<b>13</b>
4. High Voltage Transformer Removal.....	<b>13</b>
5. High Voltage Capacitor And Diode Removal .....	<b>13</b>
6. Magnetron Removal .....	<b>14</b>
7. Removing The Turn Motor.....	<b>14</b>
8. Pcb Assembly Removal.....	<b>14</b>
9. Interlock System .....	<b>14</b>
<b>INTERLOCK CONTINUITY TEST</b> .....	<b>15</b>
1. Primary Interlock Switch Test.....	<b>15</b>
2. Secondary Interlock Switch Test.....	<b>15</b>
3. Monitor Switch Test.....	<b>15</b>
<b>COMPONENT TEST PROCEDURE</b> .....	<b>16</b>
<b>TROUBLE SHOOTING</b> .....	<b>20</b>

## CAUTIONS

Unlike other appliances, the microwave oven is high-voltage and high-current equipment. Though it is free from danger in ordinary use, extreme care should be taken during repair.

- DO NOT operate on a 2-wire extension cord during repair and use.
- NEVER TOUCH any oven components or wiring during operation.
- BEFORE TOUCHING any parts of the oven, always remove the power plug from the outlet.
- For about 30 seconds after the oven stops, an electric charge remains in the high voltage capacitor. When replacing or checking, you must discharge the high voltage capacitor by shorting across the two terminals with an insulated screwdriver.

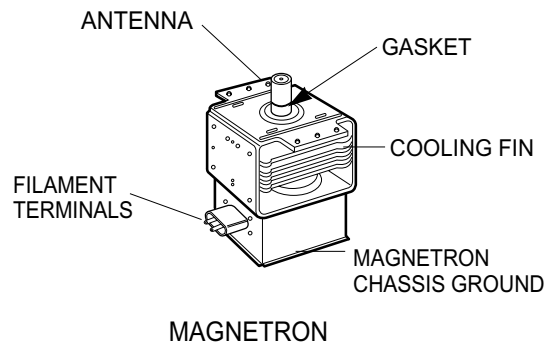


- Remove your watches whenever working close to or replacing the Magnetron.
- NEVER operate the oven with no load.
- NEVER injure the door seal and front plate of the oven cavity.
- NEVER put iron tools on the magnetron.
- NEVER put anything into the latch hole and the interlock switches area.

### MICROWAVE RADIATION

Personnel should not be exposed to the microwave energy which may radiate from the magnetron or other microwave generating device if it is improperly used or connection. All input and output microwave connections, waveguide, flange and gasket must be secure never operate the device without a microwave energy absorbing load attached. Never look into an open waveguide or antenna while the device is energized.

- Proper operation of the microwave oven requires that the magnetron be assembled to the waveguide and cavity. Never operate the magnetron unless it is properly installed.
- Be sure that the magnetron gasket is properly installed around the dome of the tube whenever installing the magnetron.



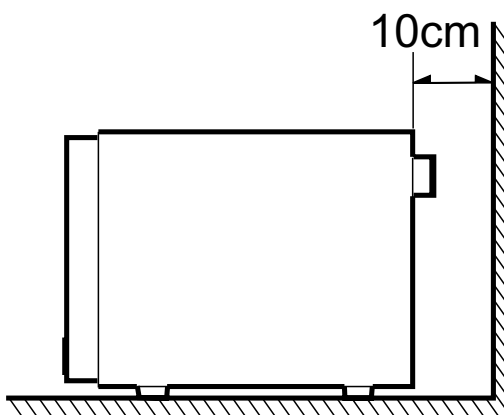
**THE OVEN IS TO BE SERVICED ONLY BY PROPERLY QUALIFIED SERVICE PERSONNEL.**

# INSTALLATIONS

BEFORE YOU BEGIN, READ THE FOLLOWING INSTRUCTIONS COMPLETELY AND CAREFULLY.

## INSTALLING

1. Empty the microwave oven and clean inside it with a soft, damp cloth. Check for damage such as misaligned door, damage around the door or dents inside the cavity or on the exterior.
2. Put the oven on a counter, table, or shelf that is strong enough to hold the oven and the food and utensils you put in it. (The control panel side of the oven is the heavy side. Use care when handling.)
3. Do not block the vent and the air intake openings. Blocking vent or air intake openings can cause damage to the oven and poor cooking results. Make sure the microwave oven legs are in place to ensure proper air flow.
4. The oven should not be installed in any area where heat and steam are generated, because they may damage the electronic or mechanical parts of the unit.  
Do not install the oven next to a conventional surface unit or above a conventional wall oven.
5. Use microwave oven in an ambient temperature less than 104°F(40°C).
6. Place the microwave oven on a sturdy and flat surface at least 10 cm(4 inches) from the wall.
7. Place the microwave oven as far away as possible from TV, RADIO, COMPUTER, etc., to prevent interference.



## EARTHING INSTRUCTIONS

This microwave oven is designed to be used in a fully earthed condition. It is imperative, therefore, to make sure it is properly earthed before servicing

### WARNING- THIS APPLIANCE MUST BE EARTHED

#### IMPORTANT

The wires in this mains lead are colored in accordance with the following code:

Green-and-yellow:	Earth
Blue:	Neutral
Brown:	Live

As the colors of the wires in the mains lead of this appliance may not correspond with the colored markings identifying the terminals in your plug, proceed as follows.

The wire which is colored green-and-yellow must be connected to the terminal in the plug which is marked with the letter E or by the earth symbol (⏏) or colored green or green-and-yellow .

The wire which is colored blue must be connected to the terminal in the plug which is marked with the letter N or colored black .

The wire which is colored brown must be connected to the terminal in the plug which is marked with the letter L or colored red .

# SERVICE INFORMATION

## CIRCUIT DESCRIPTION

### GENERAL DETAILS

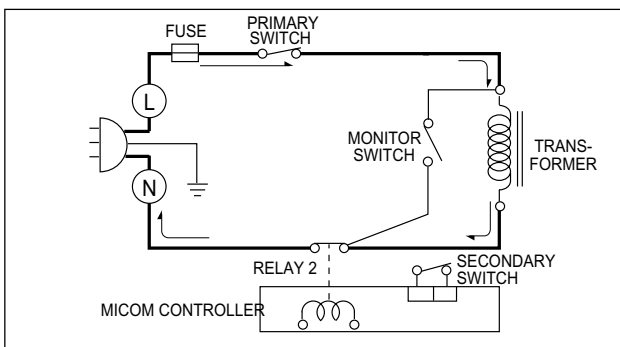
- The low voltage transformer supplies the necessary voltage to the micom controller when power cord is plugged in.
- When the door is closed, the primary switch is ON, the secondary switch is ON, and the monitor switch opens (contact COM and NO).

### WHEN SELECTING COOKING POWER LEVEL AND TIME

- The micom controller memorizes the function you set.
- The time you set appears in the display window.
- Each indicator light turns on to indicate that the stage has been set.

### WHEN TOUCHING THE START PAD

- The coil of the relay is energized by the micom controller.
- Power input is supplied to the high voltage transformer through the fuse to the primary switch and relay 2.
- Turntable rotates.



- The fan motor rotates and cools the magnetron by blowing the air (coming from the intake on the baseplate)
- The air is also directed into the oven to exhaust the vapor in the oven through the upper plate.
- Cooking time starts counting down.
- 3.2 volts AC is generated from the filament winding of the high voltage transformer. This 3.2 volts is applied to the magnetron to heat the magnetron filament through two noise preventing choke coils.
- A high voltage of approximately 2100 volts AC is generated in the secondary of the high voltage transformer which is increased by the action of the high voltage diode and charging of the high voltage capacitor.
- The negative 4,000 Volts DC is applied to the filament of the magnetron.

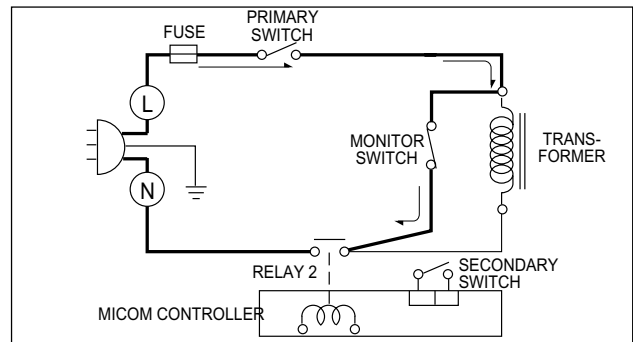
### WHEN THE OVEN IS SET AT ANY LEVEL EXCEPT MAXIMUM.

- The micom controller controls the ON-OFF time of relay 2 by the applied signal to vary the average output

power of microwave oven as POWER LEVEL.  
(refer to page 1-1)

### WHEN THE DOOR IS OPENED DURING COOKING

- Both the primary switch and relay 2 are cut off primary winding voltage of the high voltage transformer.
- ON-OFF of relay 2 is coupled electrically with opening and closing of the secondary switch.
- When the door is opened, the secondary switch is opened and when the door is closed, the secondary switch is closed.
- The cooking time stops counting down.
- Relay stops functioning.
- As the door is opened, if the contact of primary switch and relay 2 and/or secondary switch fails to open, the fuse opens due to the large current surge caused by the monitor switch activation, which in turn stops magnetron oscillation.



## PARTS LIST

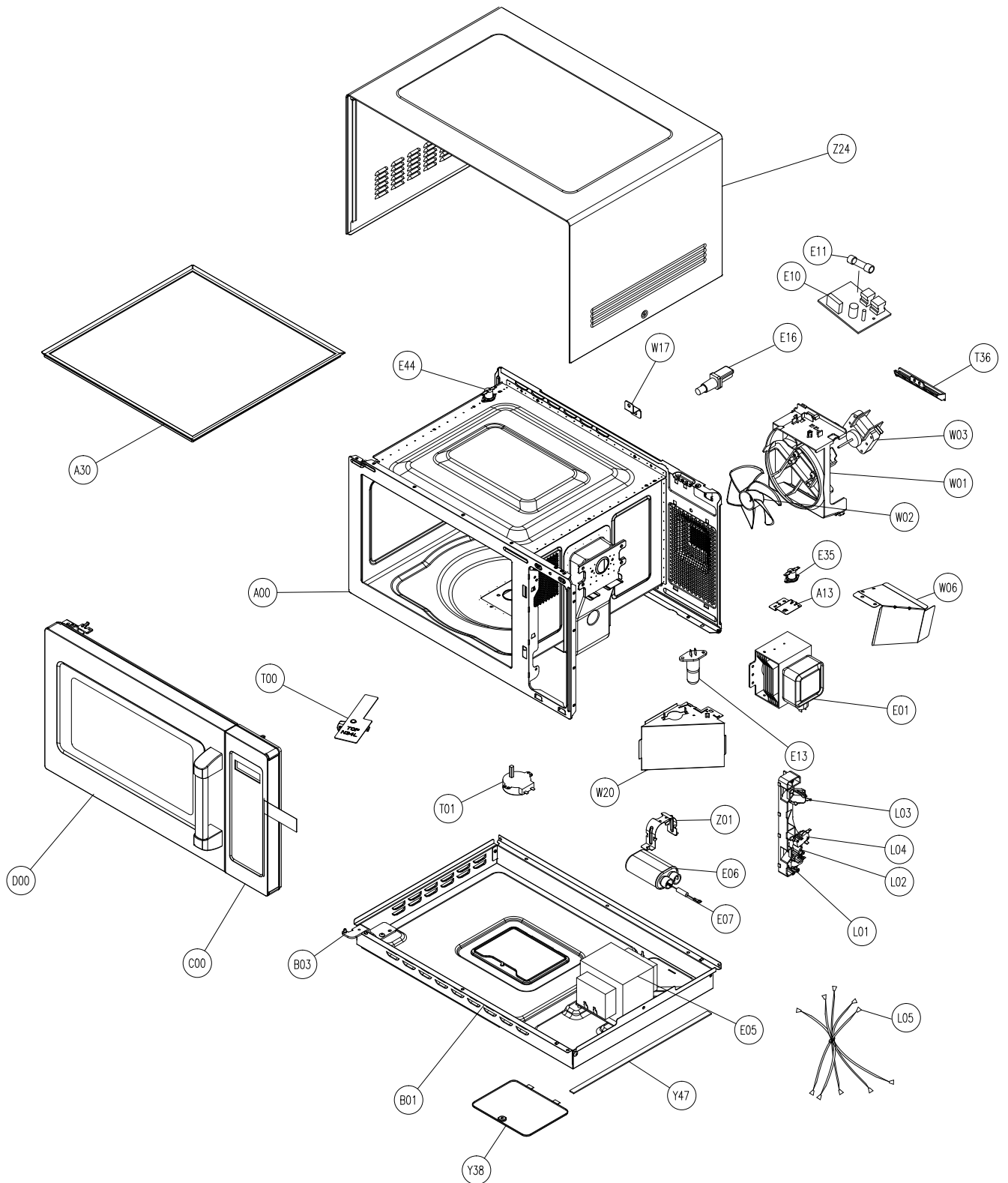
Part Code	Part Name	Qty/unit	Positon
12270000000055	Cavity Assembly	1	A00
12270000008244	Thermostat Bracket	1	A13
12570000000005	Plate Cover *Inner Assembly	1	A30
12270000000005	Baseplate	1	B01
12270000006204	Hinge Assembly	1	B03
17270000B56728 + 17170000001145	Control Panel Assembly	1	C00
12170000002937	Control Panel	1	C01
12270000004436	C/Panel Decoration	1	C02
17170000022997	Mi Assembly	1	C18
17170000001145	Membrane Switch	1	C17
12670000000009	Sealing Ring	1	C50
12270000B60274 + 12570000000410	Door Assembly	1	D00
12270000003760	Door Frame Assembly	1	D01
12170000003856	Latch	1	D02
12970000000365	Latch Spring	1	D03
12270000006147	Hinge	1	D04
12170000009513	Door Film	1	D05
12570000000410	Glass Door Screen	1	D06
12170000A31661	Door Panel Assembly	1	D07+D09
12170000009562	Door Gasket	1	D08
12970000000563	Handle Assembly	1	D14
17470000002377	Magnetron	1	E01
17470000007043	H.V.Transformer	1	E05
17470000006823	H.V.Capacitor	1	E06
17470000001016	H.V.Diode	1	E07
17170000004586	Noise Fliter	1	E10
17470000005683	Fuse	1	E11
17470000009104	Integrated Lamp	1	E13
17470000000231	Power Cord	1	E16
17470000009127	Thermostat	1	E35
17470000001481	Thermostat	1	E44
12170000003401	Latch Board	1	L01
12170000007318	Interlock Lever	1	L02

## PARTS LIST

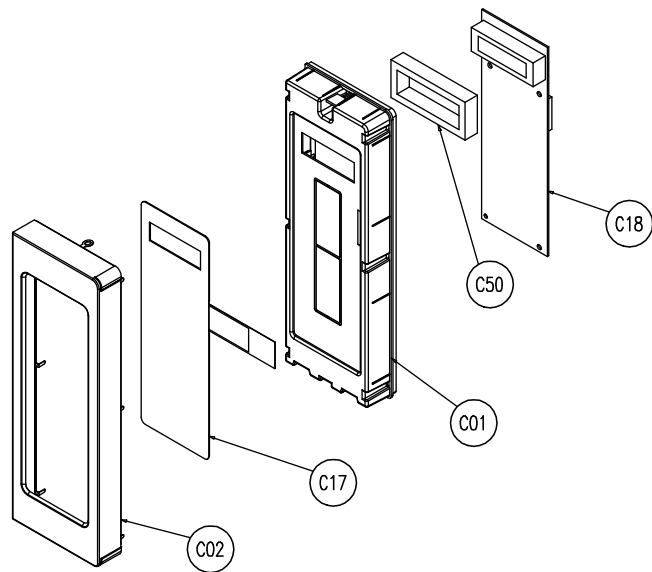
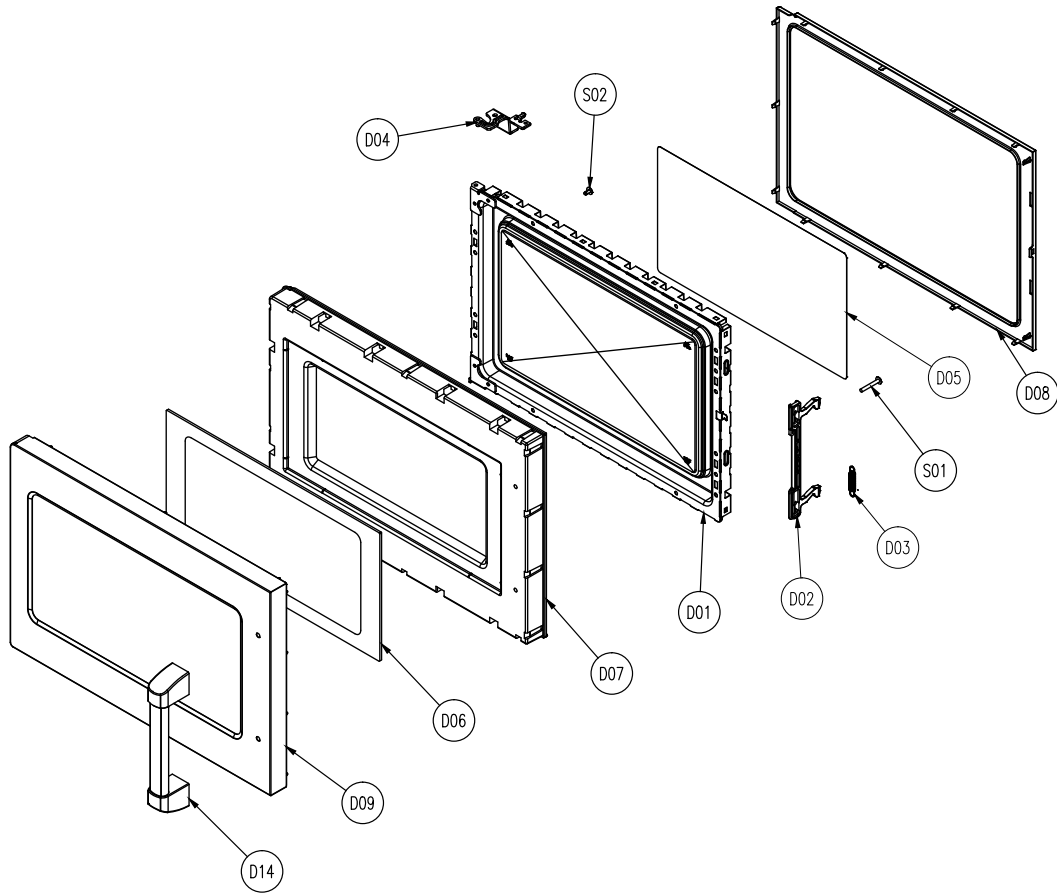
Part Code	Part Name	Qty/unit	Positon
17470000002294	Microswitch	2	L03
17470000002313	Microswitch	1	L04
17470000002444	Main Wire Harness	1	L05
12270000010792	Stirrer Fan Assembly	1	T00
11002014000013	Synchronous Motor	1	T01
12170000003988	Sealing Water Bracket	1	T36
12170000004303	Fan Guide	1	W01
12170000000209	Fan	1	W02
11002017001305	Brushless DC Motor	1	W03
12270000000150	Wind Guide Cover	1	W06
122700000033201	MOUNTING PLATE	1	W17
12270000000158	Wind Guide Cover	1	W20
12270000000176	Lamp Shade	1	Y38
122700000006211	Capacitor Holder	1	Z01
122700000005872	Cover	1	Z24



# PARTS DIAGRAM



# PARTS DIAGRAM



## TOOLS AND MEASURING INSTRUMENTS

### NECESSARY TOOLS

Tools normally used for TV servicing are sufficient. Standard tools are listed below.

- Diagonal pliers
- Long nose pliers
- Phillips screwdriver
- Flat blade screwdriver
- Wrench (size 5mm)
- Nutdriver (size 5mm)
- Adjustable wrench
- Soldering iron
- Solder
- Vinyl insulation tape
- Polishing cloth

### NECESSARY MEASURING INSTRUMENTS

- TESTER(VOLTS-DC, AC., Ohmmeter)
- Microwave survey meter
  - Holaday HI-1500  
HI-1501
  - Narda 8100  
8200
- Inch scale
- 600 cc non conductive material beaker (glass or plastic), inside diameter: approx. 8.5 cm(3<sup>1</sup>/<sub>2</sub> in.)
- Cylindrical and made of borosilicate glass vessel. max. thickness: 3 mm outside diameter: approx. 190mm height: approx. 90mm
- Glass thermometer: 100°C or 212°F (1 deg scale)

## MICROWAVE LEAKAGE TEST

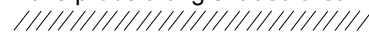
### CAUTIONS

- Be sure to check microwave leakage prior to servicing the oven if the oven is operative prior to servicing.
- The service personnel should inform the manufacture importer, or assembler of any certified oven unit found to have a microwave emission level in excess of 5 mW/cm<sup>2</sup> and should repair any unit found to have excessive emission levels at no cost to the owner and should ascertain the cause of the excessive leakage. The service personnel should instruct the owner not to use the unit until the oven has been brought into compliance.
- If the oven operates with the door open, the service personnel should:
  - Tell the user not to operate the oven.
  - Contact the manufacturer.
- The service personnel should check all surface and vent openings for microwave leakage.
- Check for microwave leakage after every servicing. The power density of the microwave radiation leakage emitted by the microwave oven should not exceed 4 mW/cm<sup>2</sup>. Always start measuring of an unknown field to assure safety for operating personnel from radiation leakage.

### MEASURING MICROWAVE ENERGY LEAKAGE

- Pour 275±15cc of 20±5°C(68±9°F) water in a beaker which is graduated to 600 cc, and place the beaker on the center of the turntable.
- Set the energy leakage monitor to 2450 MHz and use it following the manufacturer's recommended test procedure to assure correct result.
- When measuring the leakage, always use the 2-inch (5cm) spacer supplied with the probe.
- Operate the oven at its maximum output.
- Measure the microwave radiation using and electromagnetic radiation monitor by holding the probe perpendicular to the surface being measured

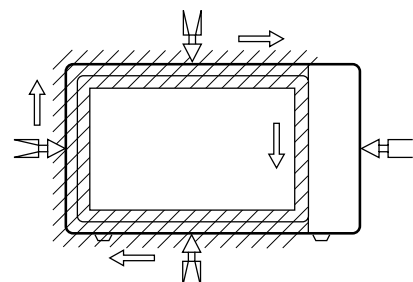
Move probe along shaded area



Probe scanning speed

Less than 2.5 cm/sec

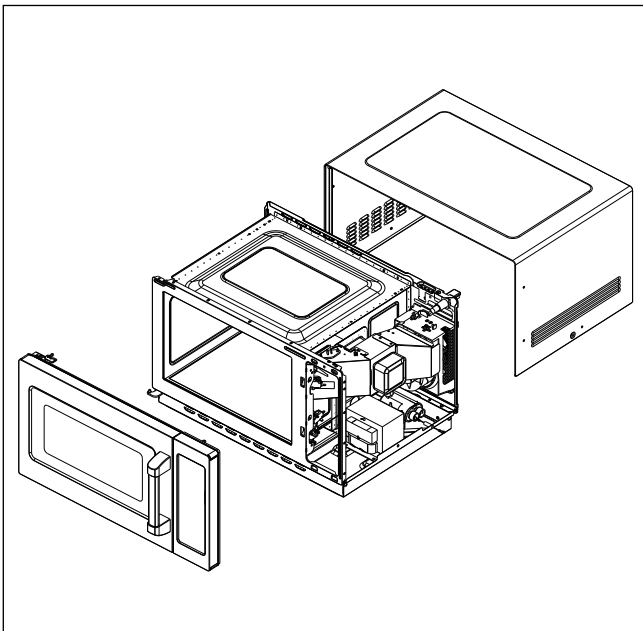
( 1in/sec)



### **MEASUREMENT WITH OUTER CASE REMOVED**

- When you replace the magnetron, measure for microwave energy leakage before the outer case is installed and after all necessary components are replaced or adjusted.  
Special care should be taken in measuring the following parts. (Circled area of below Fig.)
  - Around the magnetron
  - The waveguide

**WARNING : AVOID CONTACTING ANY HIGH VOLTAGE PARTS**



### **MEASUREMENT WITH A FULLY ASSEMBLED OVEN**

- After all components, including the outer case, are fully assembled, measure for microwave energy leakage around the door viewing window, the exhaust opening, and air inlet openings.
- Microwave energy leakage must not exceed the values prescribed below.

**NOTE:** Leakage with the outer case removed less than 5 mW/cm<sup>2</sup>.sq. Leakage for a fully assembled oven (Before the latch switch (primary) is interrupted) with the door in a slightly opened position-less than 2 mW/cm<sup>2</sup>.sq.

### **NOTES WHEN MEASURING**

- Do not exceed meter full scale deflection.
- The test probe must be removed no faster than 1 inch/sec (2.5 cm/sec) along the shaded area, otherwise a false reading may result.
- The test probe must be held with the grip portion of the handle.  
A false reading may result if the operator's hand is between the handle and the probe.
- When testing near a corner of the door, keep the probe perpendicular to the surface making sure the probe horizontally along the oven surface, this may possibly cause probe damage.

### **RECORD KEEPING AND NOTIFICATION AFTER MEASUREMENT**

- After adjustment and repair of any microwave energy interruption or microwave energy blocking device, record the measured values for future reference. Also enter the information on the service invoice.
- The microwave energy leakage should not be more than 4 mW/cm<sup>2</sup>.sq. after determining that all parts are in good condition, functioning properly and genuine replacement parts which are listed in this manual have been used.
- At least once a year, have the electromagnetic energy leakage monitor checked for calibration by its manufacturer.

## MEASUREMENT OF MICROWAVE POWER OUTPUT

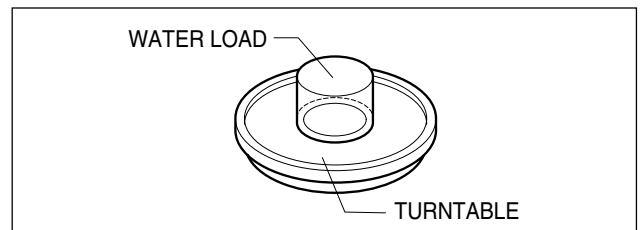
- Microwave power output measurement is made with the microwave oven supplied at its rated voltage and operated at its maximum microwave power setting with a load of (1000±5) g of potable water.
- The water is contained in a cylindrical borosilicate glass vessel having a maximum material thickness of 3 mm and an outside diameter of approximately 190mm.
- The oven and the empty vessel are at ambient temperature prior to the start of the test.
- The initial temperature (T1) of the water is (10±2)°C. It is measured immediately before the water is added to the vessel. After addition of the water to the vessel, the load is immediately placed on the center of the turntable which is in the lowest position and the microwave power switched on.
- The time T for the temperature of the water to rise by a value ΔT of (10±2)°K is measured, where T is the time in seconds and ΔT is the temperature rise. The initial and final water temperatures are selected so that the maximum difference between the final water temperature and the ambient temperature is 5°K.
- The microwave power output P in watts is calculated from the following formula :

$$P = \frac{4187 \times (\Delta T) + 0.55 \times (T_2 - T_0) \times M}{T}$$

- T<sub>2</sub>: Temperature after heating
- T<sub>0</sub>: Temperature of bowl
- M: Weight of bowl

is measured while the microwave generator is operating at full power. Magnetron filament heat-up time is not included. (about 3 sec)

- The water is stirred to equalize temperature throughout the vessel, prior to measuring the final water temperature.
- Stirring devices and measuring instruments are selected in order to minimize addition or removal of heat.



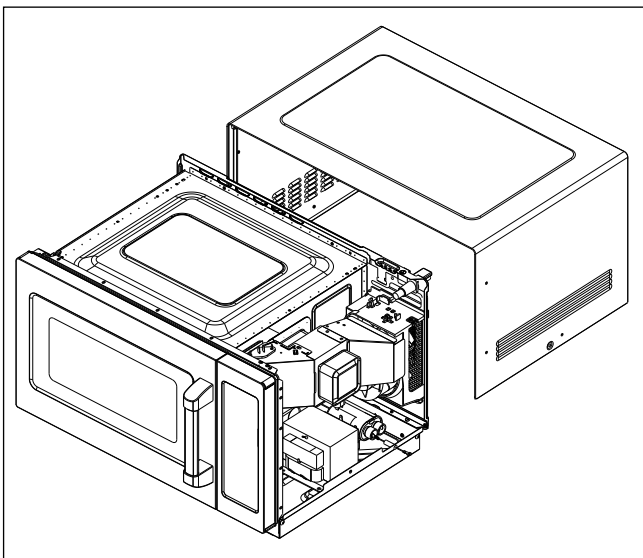
### NOTES:

For simple tests of microwave power output, conduct it by heating one litre water for one minute, minimum temperature rise should be 6 °C

## DISASSEMBLY AND ADJUSTMENT

### 1. OUTER CASE REMOVAL

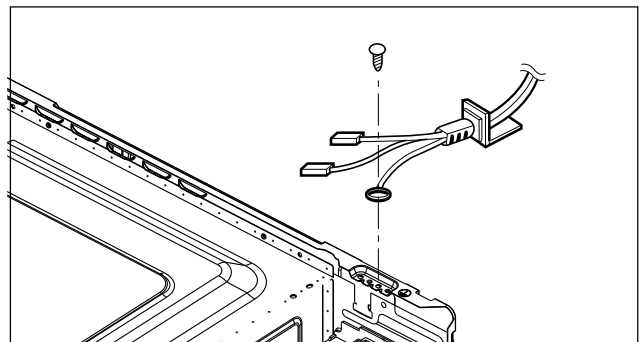
- 1) Disconnect the power supply cord from the outlet.
- 2) Remove the screws from the rear and along side edges of the case.  
The outer case must be moved backward to be lifted off.



### 2. POWER SUPPLY CORD

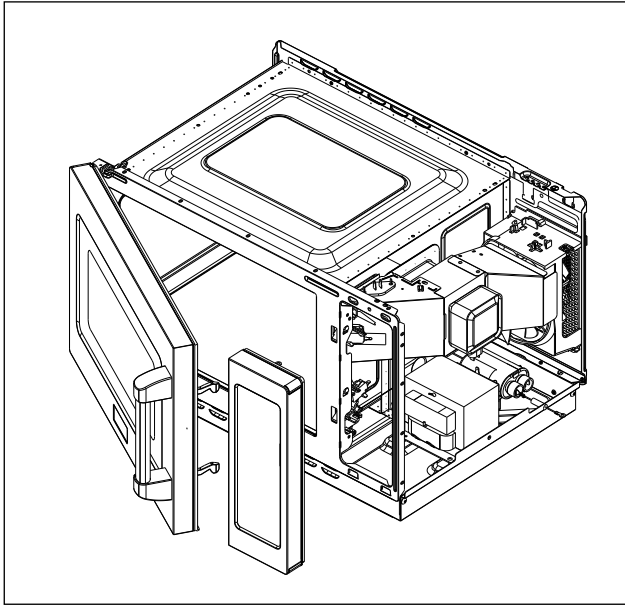
- 1) Remove the outer case.
- 2) Disconnect two terminals, and remove one screw of the earth terminal.

**CAUTION: DISCHARGE THE HIGH VOLTAGE CAPACITOR BEFORE SERVICING**



### 3. CONTROL PANEL ASSEMBLY

- 1) Disconnect the leadwire from the PCB SUB ASS'Y.
- 2) Remove the screws for the earth and securing the control panel.
- 3) Lift control panel ASS'Y from the oven by the tab unhooked.



#### 4 DOOR ASSEMBLY REMOVAL

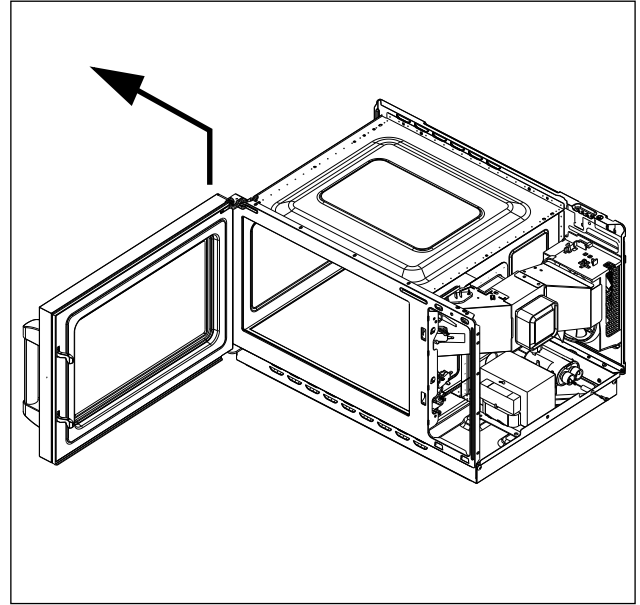
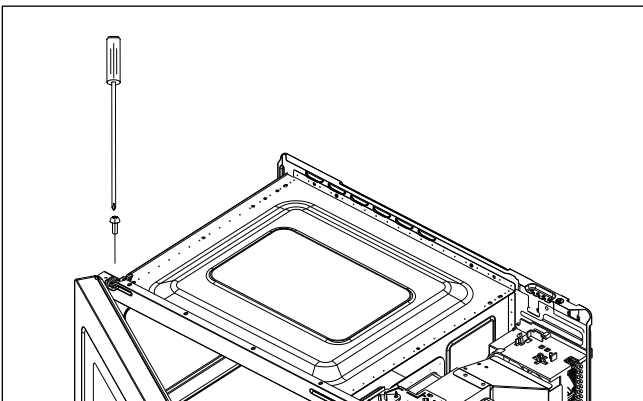
- 1) Open the door.
- 2) Remove two screws holding the Hinge to the Cavity Ass'y.

**CAUTION : Be careful not to damage Door C by screwdriver.**

- 3) Lift up and pull the door.

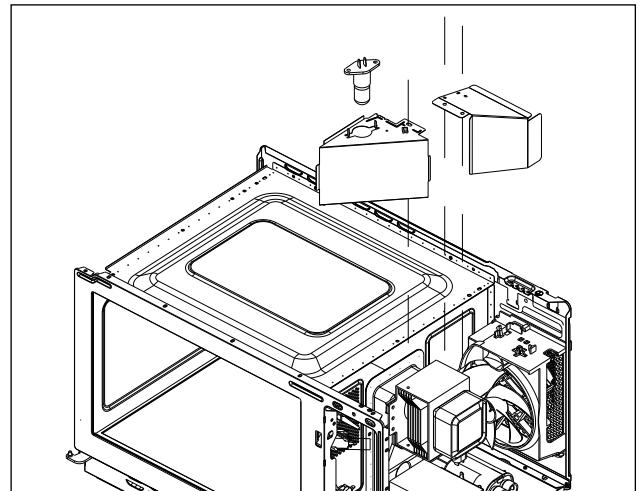
**NOTE:**

1. After replacing the door, be sure to check that the primary switch, monitor switch, and secondary switch operate normally.
2. After replacing the door, check for microwave energy leakage with a survey meter. Microwave energy must be below the limit of 5 mW/cm<sup>2</sup>. (with a 275 ml water load)
3. When mounting the door assembly to the oven assembly, be sure to adjust the door assembly parallel to the chassis. Also adjust so the door has no play between the inner door surface and oven frame assembly. If the door assembly is not mounted properly, microwaves may leak from the clearance between the door and the oven.



#### 5. AIR GUIDE ASSEMBLY REMOVAL

- 1) Disconnect the wire from lamp, release the screws fixed between air guides and magnetron.
- 2) Take out the lamp and the air guides.

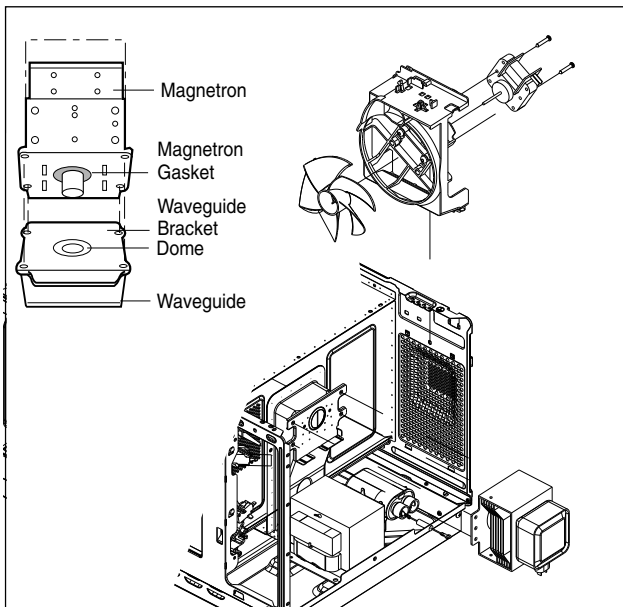


#### 6. MAGNETRON REMOVAL

- 1) Disconnect the leadwire from the high voltage transformer and high voltage capacitor.
- 2) Remove the air guide.
- 3) Carefully remove the mounting screws holding the magnetron and the waveguide.
- 4) Remove the magnetron until the tube is clear from the waveguide.

**NOTE:**

1. When removing the magnetron, make sure its dome does not hit any adjacent parts, or it may be damaged.
2. When replacing the magnetron, be sure to install the magnetron gasket in the correct position and **be sure that the gasket is in good condition.**
3. After replacing the magnetron, check for microwave leakage with a survey meter around the magnetron. Microwave energy must be below the limit of 5 mW/cm<sup>2</sup>. (With a 275 ml. water load).  
**Make sure that gasket is rigidly attached to the magnetron.** To prevent microwave leakage, tighten the mounting screws properly, making sure there is no gap between the waveguide and the magnetron.



**7. FAN ASSEMBLY REMOVAL**

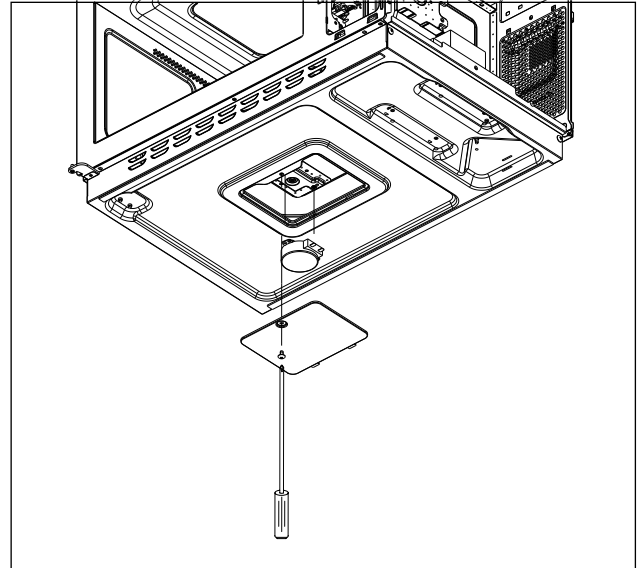
- 1) Release the screws and take out the fan assembly.
- 2) Separate the fan motor, fan guide and fan.

**8. REMOVING THE TURNTABLE MOTOR**

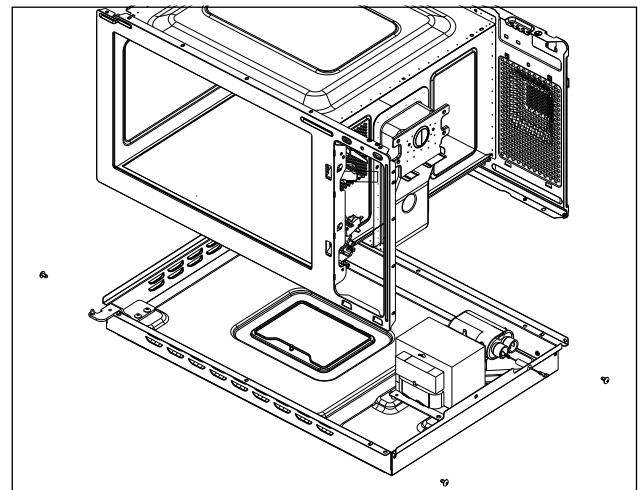
- 1) Remove the glass tray.
- 2) Remove the pulley shaft **VERY CAREFULLY**
- 3) Lay the unit down on its back.
- 4) Remove the turntable motor cover.  
 The turntable base cover is easily removed by pinching the six parts with a wire cutting.
- 5) Disconnect the leadwire from the turntable motor terminals.
- 6) Remove the screw securing the turntable motor to the oven cavity ASS'Y
- 7) After replacing the motor, rotate the removed turntable motor cover.
- 8) Fit the turntable motor cover's projecting part to the base plate slit.

**NOTE:**

1. Remove the wire lead from the turntable motor **VERY CAREFULLY.**
2. Be sure to grasp the connector, not the wires, when removing



Remove the screws on both side. Take out the whole baseplate assemble.

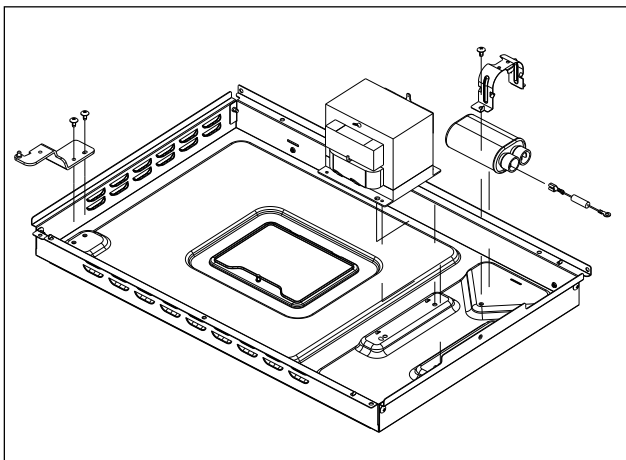


**8. HIGH VOLTAGE TRANSFORMER REMOVAL**

- 1) Discharge the high voltage capacitor.
- 2) Disconnect the leadwire from magnetron, high voltage transformer, and capacitor.
- 3) Remove the screw holding the high voltage transformer to the baseplate.

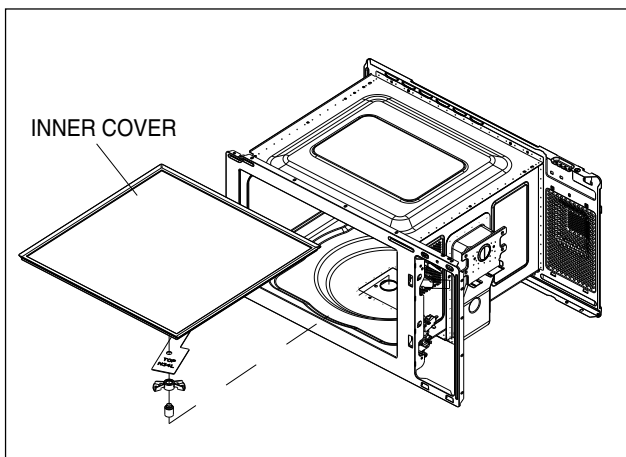
### 9 HIGH VOLTAGE CAPACITOR AND DIODE REMOVAL

- 1) Discharge the high voltage capacitor.
- 2) Disconnect the leadwire from fan motor, noise filter and high voltage capacitor.
- 3) Remove the screw holding the Orifice ASS'Y to the oven cavity and remove the high voltage diode earth screw.
- 4) Remove the screw holding the high voltage capacitor bracket.



### 10 . STIRRER ASSEMBLY REMOVAL

- 1) The inner cover need to be removed out to repair the stirrer assembly.
- 2) The inner cover is fixed in the cavity by glue. Once it was removed, it need to be glued again.

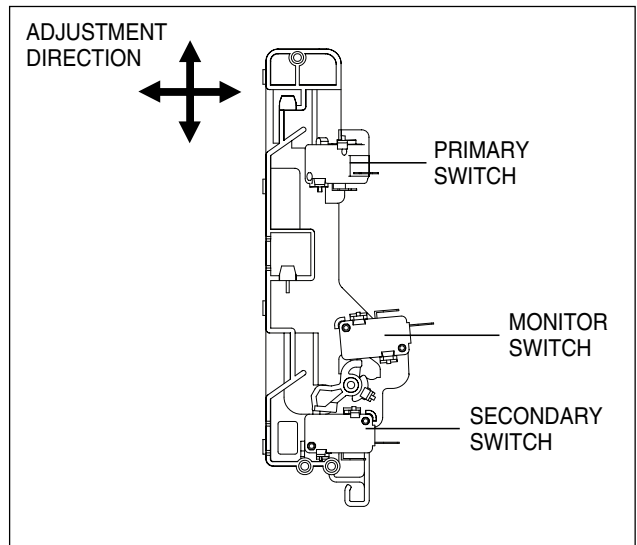


### 11. INTERLOCK SYSTEM

#### 1) INTERLOCK MECHANISM

The door lock mechanism is a device which has been specially designed to eliminate completely microwave activity when the door is opened during cooking and thus to prevent the danger resulting from the microwave leakage.

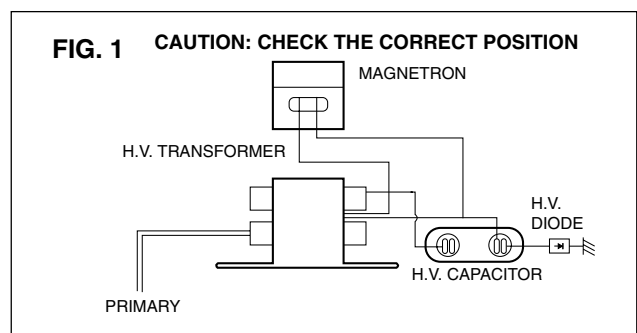
#### 2) MOUNTING OF THE PRIMARY/MONITOR/SECONDARY SWITCHES TO THE LATCH BOARD



#### 3) INSTALLATION AND ADJUSTMENT OF THE LATCH BOARD TO THE OVEN ASSEMBLY

- Mount the latch board to the oven assembly.
- Adjust the latch board in the arrow direction so that oven door will not have any play in it when the door is closed.
- Tighten the mounting screw.
- **Check for play in the door by pushing the door release button. Door movement should be less than 0.5 mm. (1/64 inch)**

Don't push the door release button while making adjustment. Make sure that the latch moves smoothly after adjustment are completed and that the screws are tight. Make sure the primary, monitor, and secondary switches operate properly by following the continuity test procedure.





## INTERLOCK CONTINUITY TEST

**WARNING : FOR CONTINUED PROTECTION AGAINST EXCESSIVE RADIATION EMISSION, REPLACE ONLY WITH IDENTICAL REPLACEMENT PARTS.**

TYPE NO. KW3A FOR SWITCHS

### 1 . PRIMARY INTERLOCK SWITCH TEST

When the door release button is depressed slowly with the door closed, an audible click should be heard at the same time or successively at intervals. When the button is released slowly, the latches should activate the switches with an audible click .

If the latches do not activate the switches when the door is closed, the switches should be adjusted in accordance with the adjustment procedure. Disconnect the wire lead from the primary switch. Connect the ohmmeter leads to the common (COM) and normally open (NO) terminal of the switch. The meter should indicate an open circuit in the door open condition.

When the door is closed, the meter should indicate a closed circuit.

When the primary switch operation is abnormal, make the necessary adjustment or replace the switch only with the same type of switch.

### 2 . SECONDARY INTERLOCK SWITCH TEST

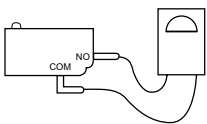
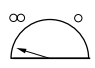
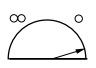
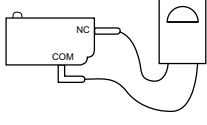
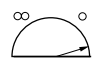
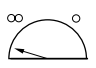
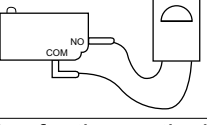
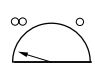
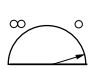
Disconnect the wire lead from the secondary switch.

Connect the ohmmeter leads to the common (COM) and normally open (NO) terminals of the switch. The meter should indicate a open circuit in the door open condition. When the door is closed, meter should indicate an closed circuit. When the secondary switch operation is abnormal, make the necessary adjustment or replace the switch only with the same type of switch.

### 3. MONITOR SWITCH TEST

Disconnect the wire lead from the monitor switch. Connect the ohmmeter leads to the common (COM) and normally closed (NC) terminals of the switch. The meter should indicate closed circuit in the door open condition. When the door is closed, meter should indicate an open circuit. When the monitor switch operation is abnormal, replace with the same type of switch.

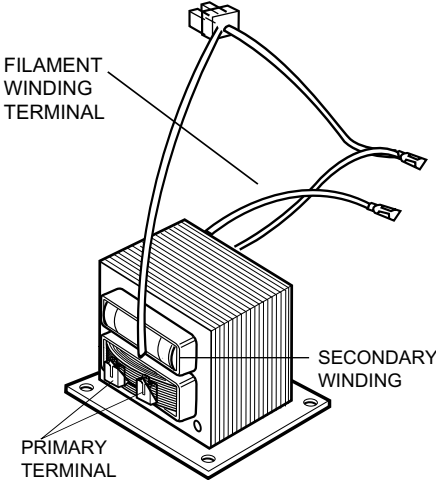
NOTE: After repairing the door or the interlock system, it is necessary to do this continuity test before operating the oven.

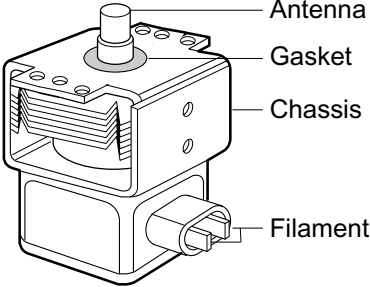
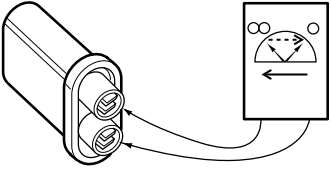
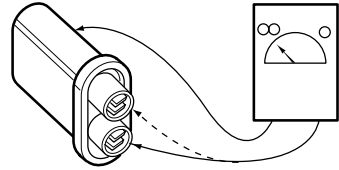
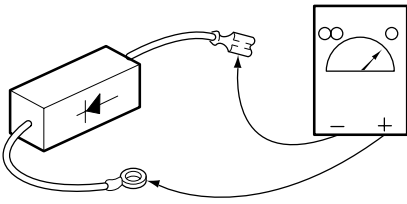
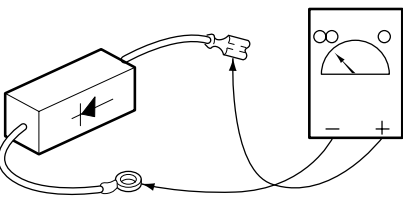
COMPONENTS	TEST PROCEDURE		RESULTS	
			Door open	Door closed
SWITCHES (Wire leads removed)	Check for continuity of the switch with an Ohm-meter			
	Primary Switch Type No.KW3A			
	Monitor Switch Type No.KW3A			
	Secondary Switch Type No.KW3A			
NOTE : After checking for the continuity of switches, make sure that are correctly connected.				

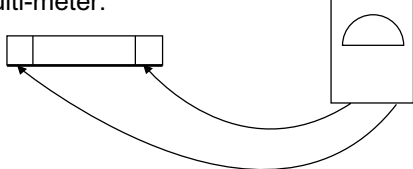
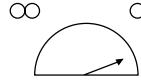
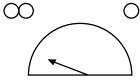
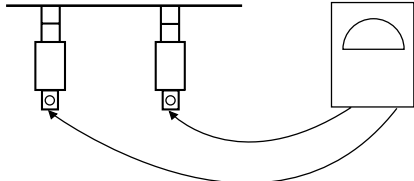
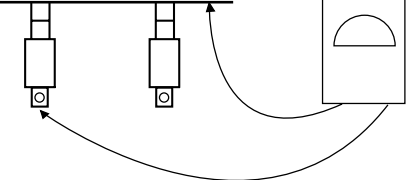
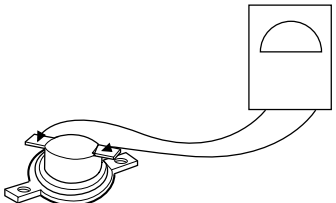


## COMPONENT TEST PROCEDURE

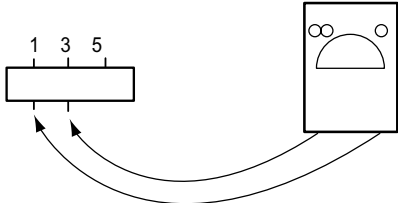

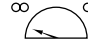
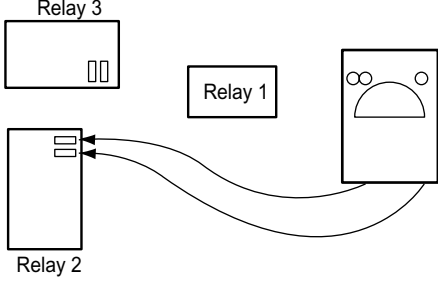
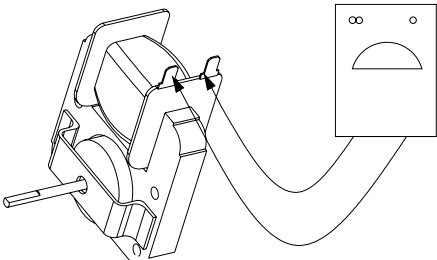
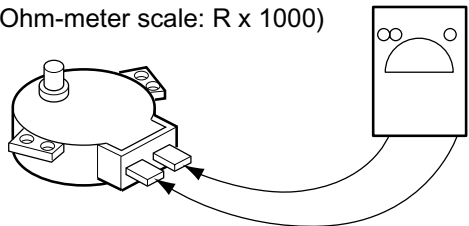
### CAUTIONS

1. DISCONNECT THE POWER SUPPLY CORD FROM THE OUTLET WHENEVER REMOVING THE OUTER CASE FROM THE UNIT. PROCEED WITH THE TEST ONLY AFTER DISCHARGING THE HIGH VOLTAGE CAPACITOR AND REMOVING THE WIRE LEADS FROM THE PRIMARY WINDING OF THE HIGH VOLTAGE TRANSFORMER. (SEE PAGE 2-1)
2. ALL OPERATIONAL CHECKS WITH MICROWAVE ENERGY MUST BE DONE WITH A LOAD (1 LITER OF WATER IN CONTAINER) IN THE OVEN.

COMPONENTS	TEST PROCEDURE	RESULTS
<b>HIGH VOLTAGE TRANSFORMER</b> (Wire leads removed)	 <ol style="list-style-type: none"> <li>1. Measure the resistance.                              (Ohm-meter scale: Rx1)                             <ul style="list-style-type: none"> <li>• Primary winding</li> <li>• Secondary winding</li> <li>• Filament winding</li> </ul> </li> <li>2. Measure the resistance.                              (Ohm-meter scale: Rx1000)                             <ul style="list-style-type: none"> <li>• Primary winding to ground</li> <li>• Filament winding to ground</li> </ul> </li> </ol>	<p>Approx.: 1.4 ohm                              Approx.: 90 ohm                              Less than: 1 ohm</p> <p>Normal: Infinite                              Normal: Infinite</p>
<b>MAGNETRON</b> (Wire leads removed)	<ol style="list-style-type: none"> <li>1. Measure the resistance.                              (Ohm-meter scale: Rx1)                             <ul style="list-style-type: none"> <li>• Filament terminal</li> </ul> </li> <li>2. Measure the resistance.                              (Ohm-meter scale: Rx1000)                             <ul style="list-style-type: none"> <li>• Filament to chassis</li> </ul> </li> </ol>	<p>Normal: Less than 1 ohm</p> <p>Normal: Infinite</p>

COMPONENTS	TEST PROCEDURE	RESULTS
	 <p>NOTE: When testing the magnetron, be sure to install the magnetron gasket in the correct position and be sure that the gasket is in good condition.</p>	
HIGH VOLTAGE CAPACITOR	<p>Measure the resistance. (Ohm-meter scale: Rx1000) • Terminal to terminal.</p> 	Normal: Momentarily indicates several ohms, and then gradually returns to 10M ohms.
	<p>Measure the resistance. (Ohm-meter scale: Rx1000) • Terminal to case.</p> 	Normal: ∞
HIGH VOLTAGE DIODE	<p>Measure the continuity (Forward). (Ohm-meter scale: Rx10000)</p> 	Normal: Continuity. Abnormal: ∞ *
*NOTE : Some inexpensive meters may indicate infinite resistance in both direction.	<p>Measure the continuity (Reverse). (Ohm-meter scale: Rx10000)</p> 	Normal: ∞ Abnormal: Continuity.

COMPONENTS	TEST PROCEDURE	RESULTS	
<p>FUSE</p>	<p>Check for continuity of the fuse with an multi-meter.</p> 	Normal	Abnormal
	<p>NOTE: If the fuse is blown, check the primary, the secondary, and the monitor switches, H.V.D. and H.V.C. before replacing the fuse. If the fuse is blown by improper switch operation replace the defective switch and the fuse at the same time. Replace just the fuse if the switches operate normally.</p>		
<p>HEATER ELEMENT (Wire leads removed.)</p>	<p>Measure the resistance. (Multi-meter scale: Rx1)</p> 	<p>Normal: *Grill heater Approx. 38 ohm (at 20 ~ 30°C)</p>	
	<p>Measure the resistance with 500V-100M ohm insulation resistance meter.</p> 	<p>Normal: more than 0.5 Mohm</p>	
<p>NOTE: Make sure heater is fully cooled when tested.</p>			
<p>THERMAL CUT-OUT</p>		Below specified temperature	Above specified temperature
			

COMPONENTS	TEST PROCEDURE	RESULTS	
		Normal	Abnormal
L.V. Transformer of P.C.B (Refer to schematic diagram)	Check for P.C.B. connector. *Disconnect the 3 pin connector from P.C.B. 		
RELAY 2, RELAY 3 OF P.C.B. (Wire leads removed.) Note: Relay Relay 1: Fan motor Turntable motor Oven lamp Relay 2: Microwave Relay 3: Grill		Cooking Start	OFF
FAN MOTOR (Wire leads removed)	Measure the resistance. (Ohm-meter scale: R x 1) 	Normal: 100~500 Ω Abnormal: ∞ or several Ω	
TURNTABLE MOTOR (Wire leads removed)	Measure the resistance. (Ohm-meter scale: R x 1000) 	Normal: Approx. 100~200KΩ Abnormal: ∞ or several Ω	
NOTE : • A MICROWAVE LEAKAGE TEST MUST ALWAYS BE PERFORMED WHEN THE UNIT IS SERVICED FOR ANY REASON. • MAKE SURE THE WIRE LEADS ARE IN THE CORRECT POSITION. • WHEN REMOVING THE WIRE LEADS FROM THE PARTS, BE SURE TO GRASP THE CONNECTOR, NOT THE WIRES.			

## TROUBLE SHOOTING

WHEN YOU GET A COMPLAINT FROM YOUR CUSTOMER, EVALUATE THE COMPLAINT CAREFULLY. IF THE FOLLOWING SYMPTOMS APPLY, PLEASE INSTRUCT THE CUSTOMER IN THE PROPER USE OF THE MICROWAVE OVEN. THIS CAN ELIMINATE AN UNNECESSARY SERVICE CALL.

### CAUTIONS

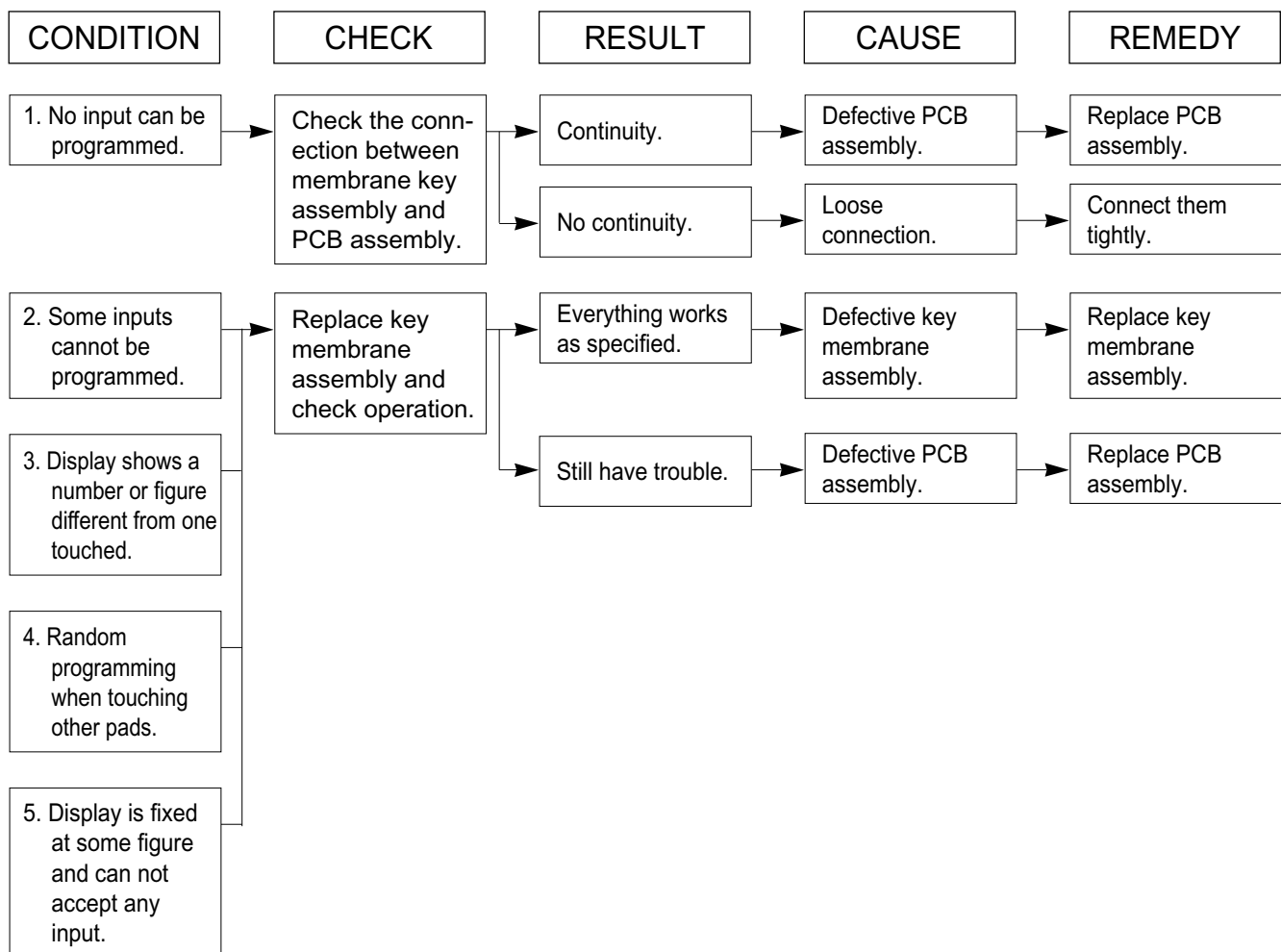
1. Check grounding before checking for trouble.
2. Be careful of the high voltage circuit.
3. Discharge the high voltage capacitor. (See page 2-1)
4. When checking the continuity of the switches or of the high voltage transformer, disconnect one lead wire from these parts and then check continuity with the AC plug removed. To do otherwise may result in a false reading or damage to your meter.
5. Do not touch any part of the circuitry on the digital programmer circuit since static electric discharge may damage this control panel.

Always touch yourself ground while working on this panel to discharge any static charge built up in your body.

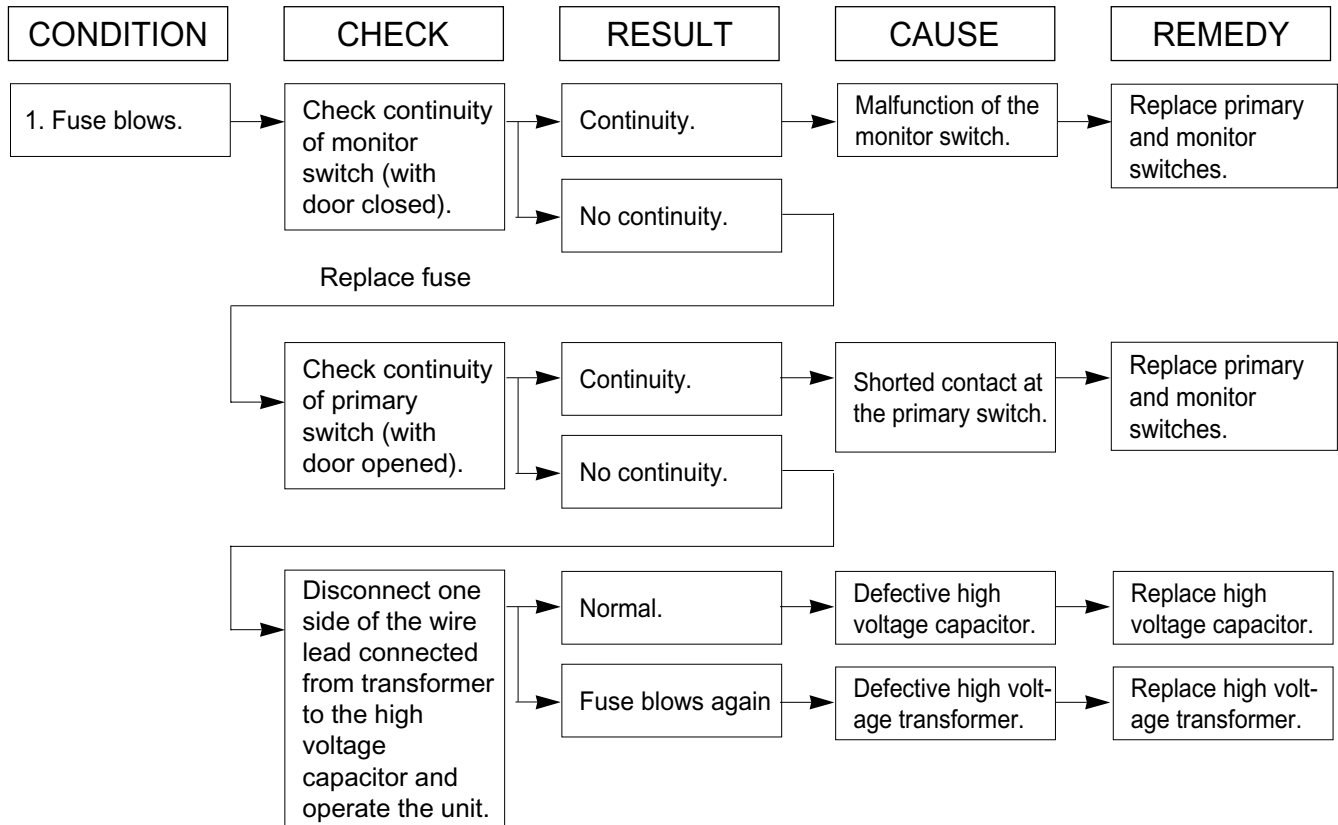
CONDITION	CAUSE	REMEDY
Microwave oven does not work.	Inserting many plug into one plug outlet and using them at the same time (causes overloading).	Avoid using other electrical appliances when you use the microwave oven.
	Microwave oven plug is not inserted tightly.	Insert microwave oven plug securely.
Output power is too low.	Low AC input voltage.	Use the microwave oven at adequate line voltage.
	Food temperature is too low.	This may not be a defect. It is possible that the food should be cooked for a longer time period.
Sparks occurring.	Using metallic ware and allowing it to touch the oven wall.	Do not use metallic ware for cooking except where noted in the cooking guide.
	Ceramic ware trimmed in gold or silver powder is used.	Do not use any type of cookware with metallic trimming.
Uneven cooking.	Inconsistent intensity of microwave by their characteristics.	<ol style="list-style-type: none"> <li>1. Wrap the thinner part with aluminum foil.</li> <li>2. Use plastic wrap or lid.</li> <li>3. Stir once or twice while cooking soup, cocoa or milk, etc.</li> </ol>

(TROUBLE 1) The following visual conditions indicate a probable defective control circuit.

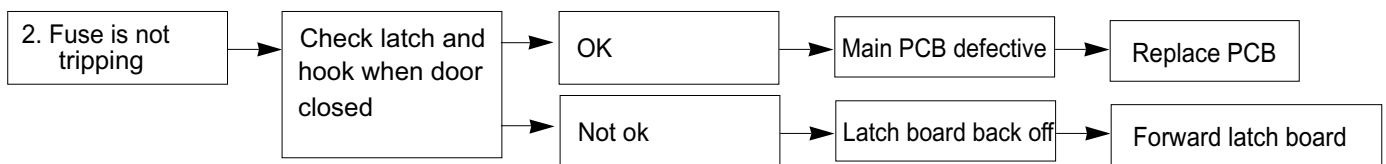
1. Incomplete segments.
  - Segment missing.
  - Partial segment missing.
  - Digit flickering (NOTE: Slight flickering is normal.)
2. Colon does not turn on or blink.
3. A distinct change in the brightness of one or more numbers in display.
4. One or more digits in the display are not lighting.
5. Display indicates a number different from one touched, for example, key in 5 and 3 appears in the display.
6. Specific numbers (for example 7 or 9) will not display when key pad is touched.
7. Display does not count down with time blinking or up with clock operation.
8. Display obviously jumps in time while counting down.
9. Display counts down too fast while cooking.
10. Each indicator light does not turn on after setting cooking cycle.
11. Display time of day does not reappear when cooking is finished.
12. Beep sound is not heard when correct key is touched.



(TROUBLE 2) Oven does not operate at all ; Display window does not display any figures and no input is accepted.



NOTE : All these switches must be replaced at the same time. Refer to page 5-6, 5-7





(TROUBLE 3) Display shows all figures set, but oven does not start cooking while desired program times are set and START pad is touched.

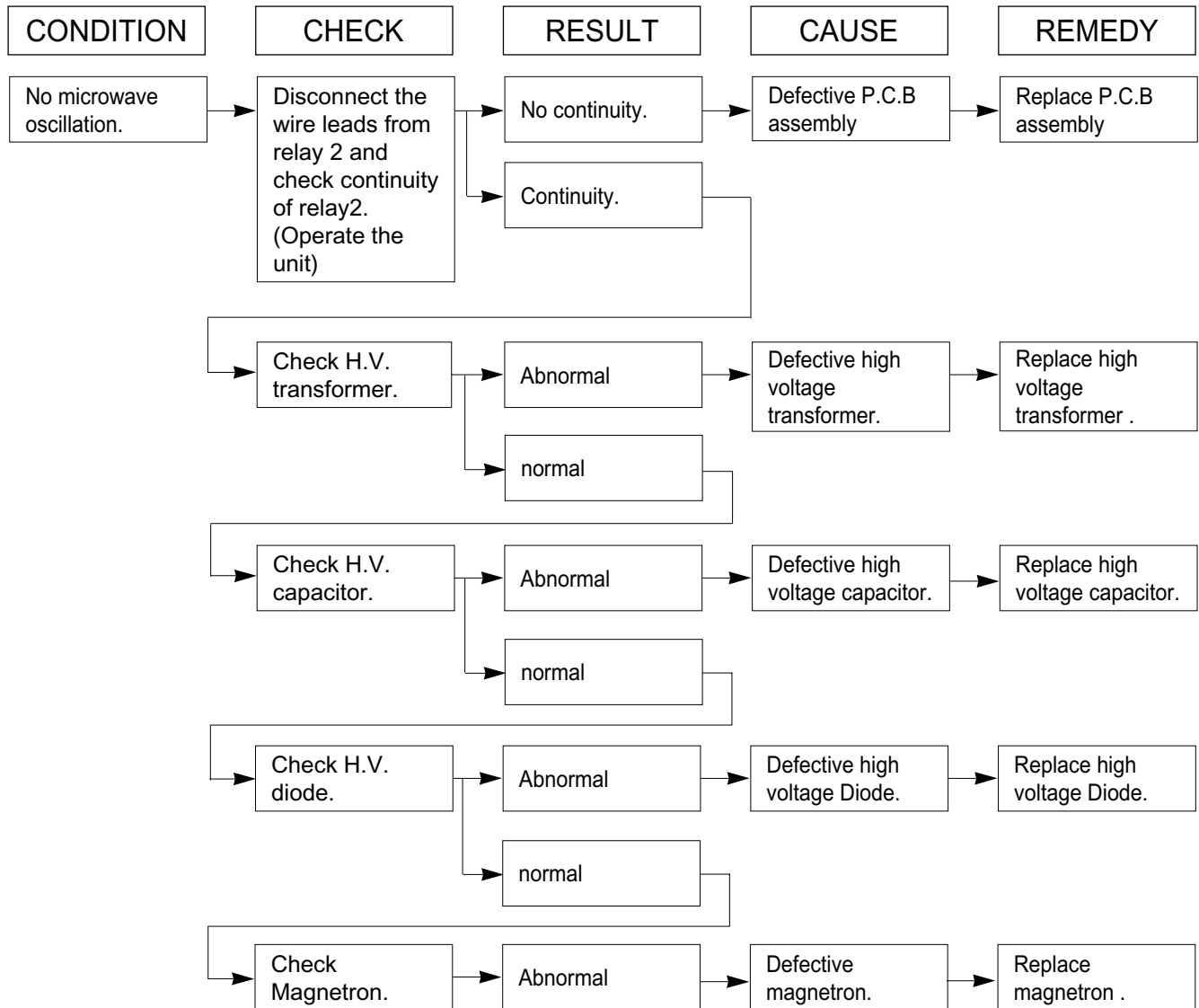
CONDITION	CHECK	RESULT	CAUSE	REMEDY
1. Setting time does not count down when touching START pad.	Check continuity of secondary switch (with door closed).	No continuity.	Defective secondary switch.	Replace secondary switch.
		continuity.		
2. Fan motor or oven lamp do not turn on.	Check the connection between connector and P.C.B assembly.	No continuity.	Defective P.C.B assembly.	Replace P.C.B assembly.
		Continuity.	Loose connection.	Connection then tightly.
	Check fan motor.	Abnormal.	Defective fan motor.	Replace fan motor.
		Check oven lamp.	Abnormal.	Defective oven lamp.
	Normal.			

(TROUBLE 4) Oven seems to be operation but output power is low.

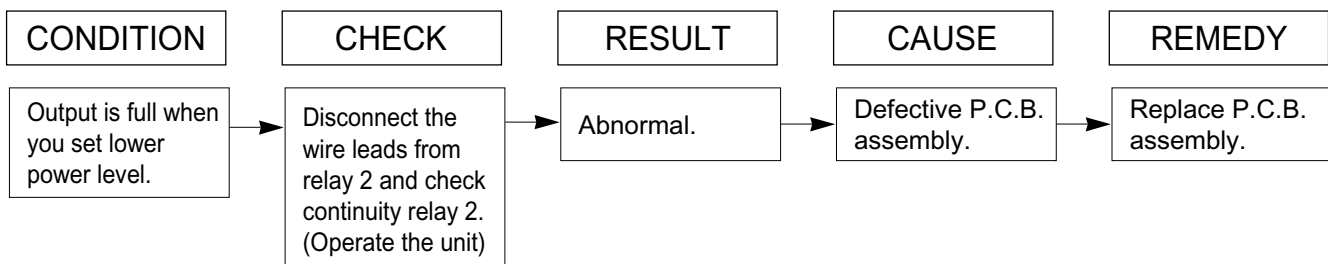
CONDITION	CHECK	RESULT	CAUSE	REMEDY
Output is low.	Check the power source voltage.	Lower than 90% of rating voltage.	Decrease in power source voltage with load.	Suggest customer contact local electric power utility co. or qualified electrician.
		Normal.		
	Disconnect the wire leads from relay 2 and check on and off time with multimeter.	Abnormal.	Defective P.C.B assembly.	Replace P.C.B assembly.
		Normal.		
	Measure the output power.	Abnormal.	Defective magnetron.	Replace magnetron.

NOTE: Refer to Page 5-3 for measuring of microwave power output.

(TROUBLE 5) No microwave oscillation even though oven lamp and fan motor run  
(Display operates properly)



(TROUBLE 6) Oven does not cook properly when programmed for the set power level  
(Operates properly on HIGH)



NOTE: \* Make sure the wore leads correct position.

\* When removing the wire leads from parts be sure to grasp the connector not the wires.

\* When removing the magnetron, be sure to install the magnetron gasket in the correct position and in good condition.





**ANVIL**

THE CHEFS COMPANION