



---

SELF-CONTAINED CUBER

**IM-30CNE(-25)  
IM-30CWNE(-25)  
IM-21CNE**

# **PARTS LIST**

[HE] [GRAM][SINGAPORE]

E1FA

E1FA-D001,-D002,-D003,-D004,-D005,-D006,-D007  
-D008,-D009,-D010,-D020,-D021

A-1 NOV. 2011  
B-0 JAN. 2012  
B-1 OCT. 2012  
C-0 JAN. 2013  
D-0 JAN. 2014  
D-1 APR. 2014  
D-2 NOV. 2014  
E-0 JAN. 2015  
E-1 JUN. 2015  
F-0 JAN. 2016  
F-1 DEC. 2016  
G-0 JAN. 2017  
G-1 OCT. 2017  
H-1 OCT. 2018

E1FA-3643 (0119)

## List of Specifications

IM-30CNE	E1FA	Standard
IM-30CNE-25	E1FA-D001	25mm ICE of IM-30CNE
IM-30CWNE	E1FA-D002	Water cooled
IM-21CNE	E1FA-D003	ICE PRODUCTION 21Kg/day,Not LEG
IM-30CNE	E1FA-D004	230V 60Hz, COMPRESSOR TL5G
IM-21CNE(NAV)	E1FA-D005	115V 60Hz UK-NAVY
IM-30CWNE-25	E1FA-D006	Water cooled,25mm ICE of IM-30CWNE
IM-21CNE	E1FA-D007	DRAIN VALVE
IM-30CWNE (G60)	E1FA-D008	Water cooled 230V 60Hz
IM-30CNE(HS)	E1FA-D009	Standard for Singapore
IM-30CNE-25(HS)	E1FA-D010	25mm ICE of IM-30CNE for Singapore
IM-21CNE	E1FA-D020	GRAM OEM
IM-30CNE	E1FA-D021	GRAM OEM

## AUXILIARY CODE

U - 1

The auxiliary code is the first two characters in the serial number. The first character indicates the production year. Years progress or regress in alphabetical order. The series of letters and skipped letters depend on UL listing, production, and model. See the auxiliary code(s) and corresponding year(s) on the front cover.

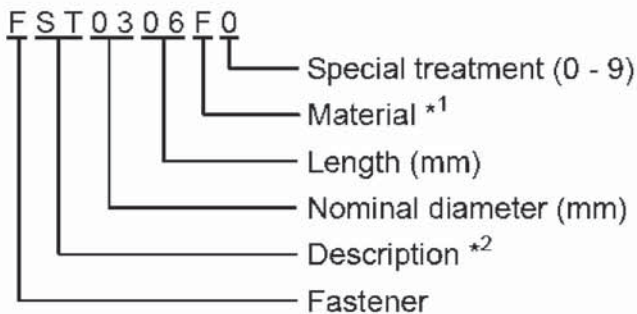
The second character indicates significant part changes within the same year. Base is "1" and this number advances for each change. If there is no significant part change at the turn of the year, this number starts from "0."

## MARKS LOCATED UNDER THE AUXILIARY CODE

- = Part deleted.
- x = Part deleted and replaced by "o" part.
- o = New part in place of "x" part.

## FASTENER PART NUMBER

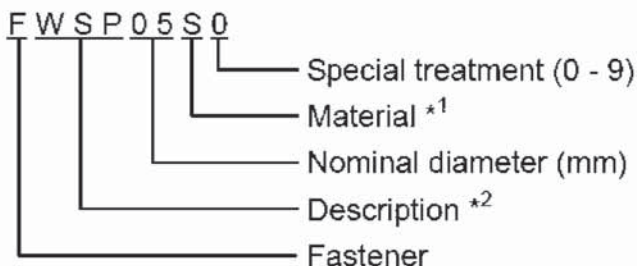
### SCREWS



\*<sup>1</sup> Material

- F: Steel
- S: Austenitic stainless steel
- M: Martensitic stainless steel
- B: Copper alloy
- P: Polycarbonate
- N: Polyamide
- V: PVC
- A: ABS
- X: Polyacetal
- L: Aluminum

### NUTS & WASHERS

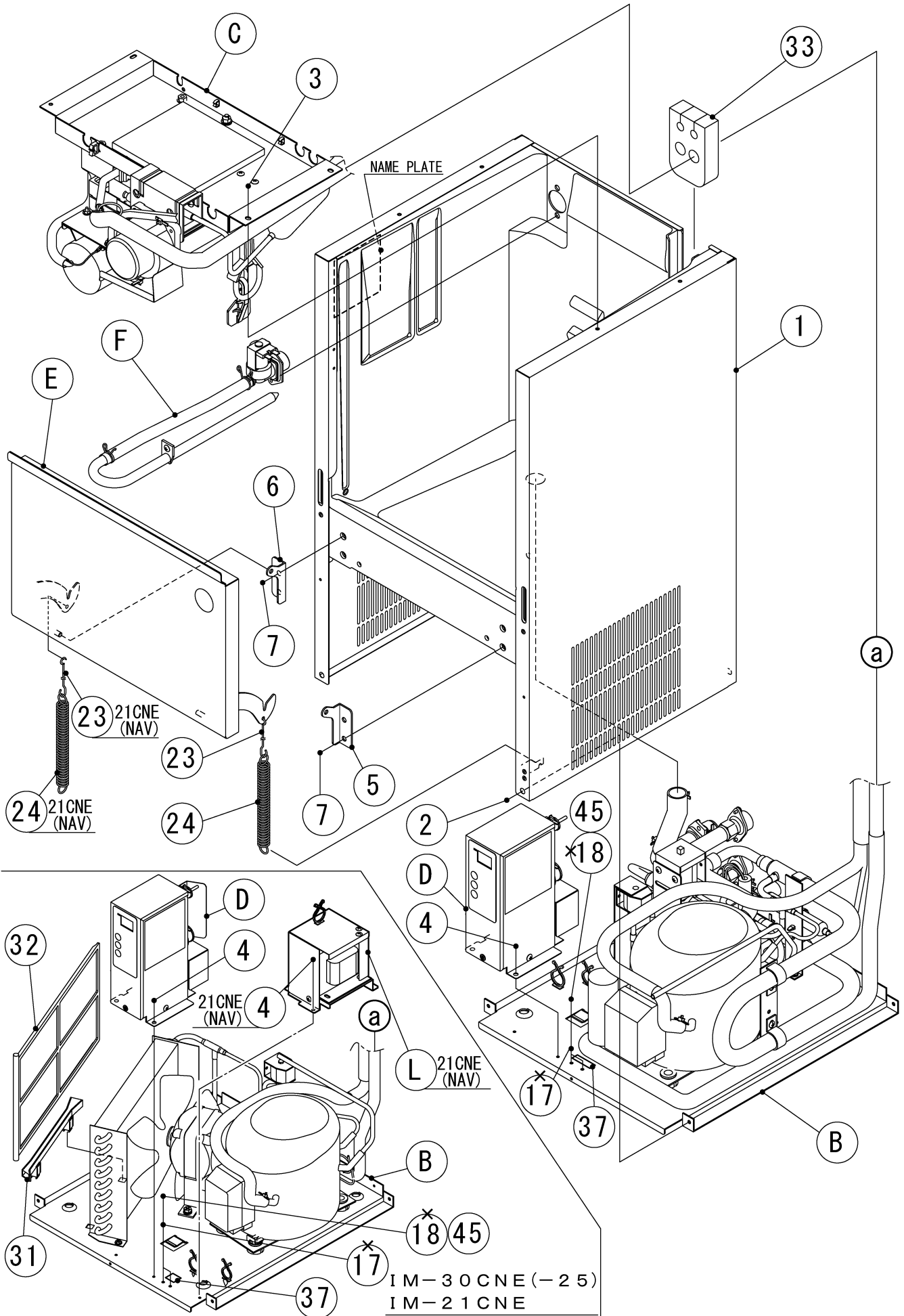


\*<sup>2</sup> Description

- First letter
- S: Machine screw
- T: Tapping screw
- M: Wood screw
- B: Bolt
- W: Washer
- N: Nut

IM-30CNE(-25)  
 IM-30CWNE(-25)  
 IM-21CNE

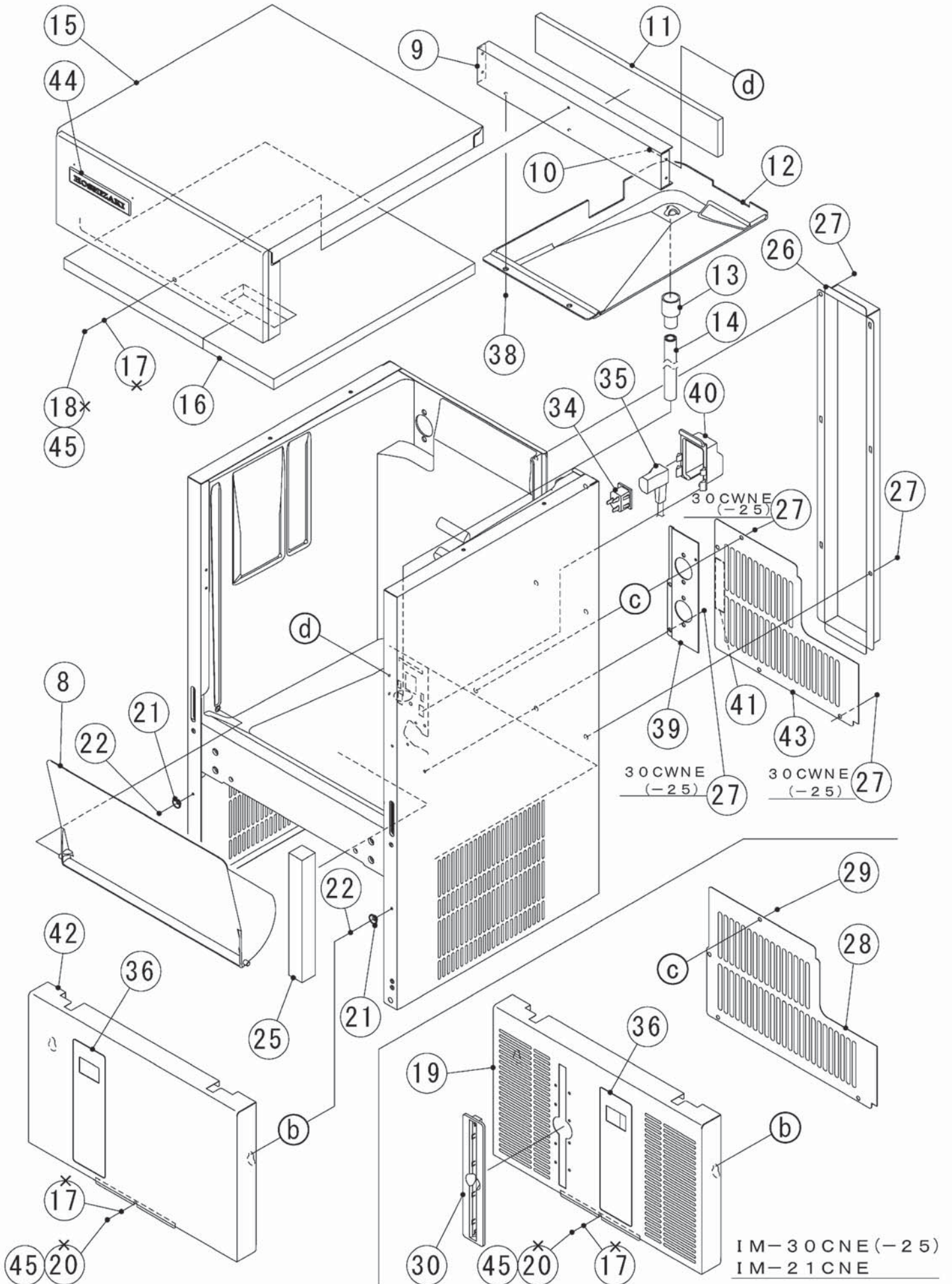
A. ICE CUBBER ASSY (1/3) (A-1) and later



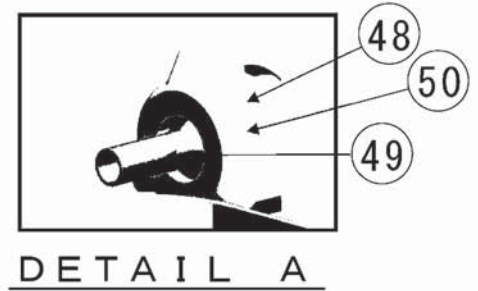
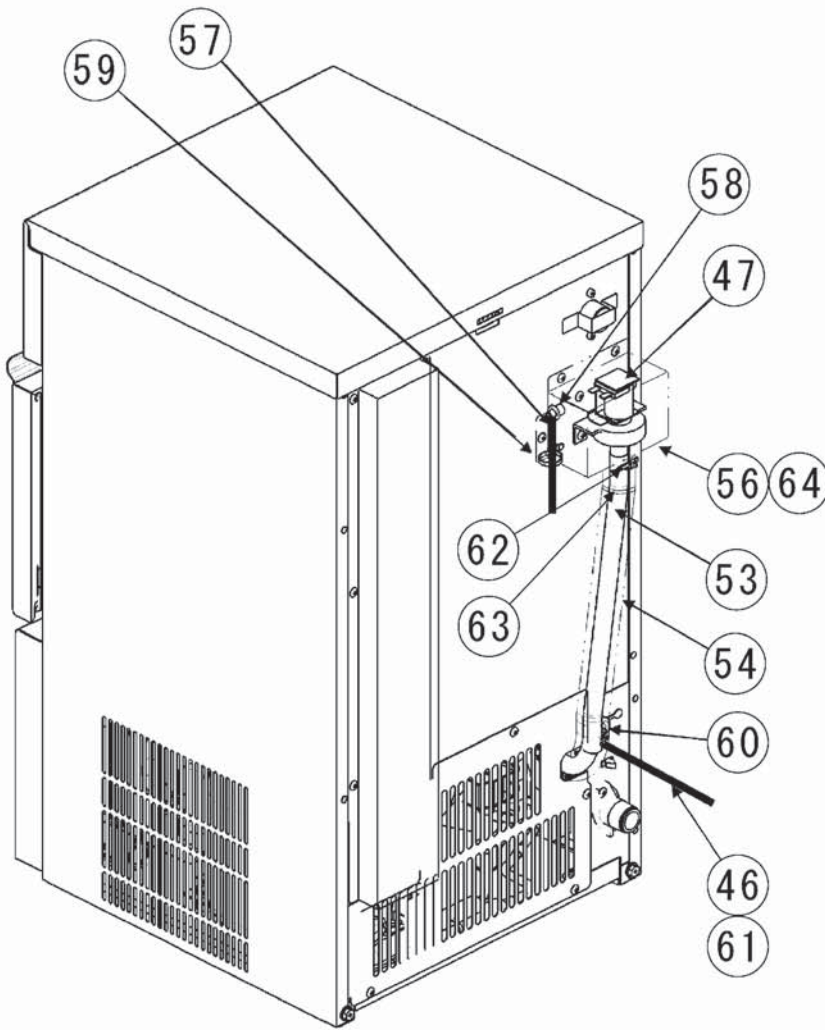
IM-30CNE(-25)  
 IM-21CNE

IM-30CNE(-25)  
 IM-30CWNE(-25)  
 IM-21CNE

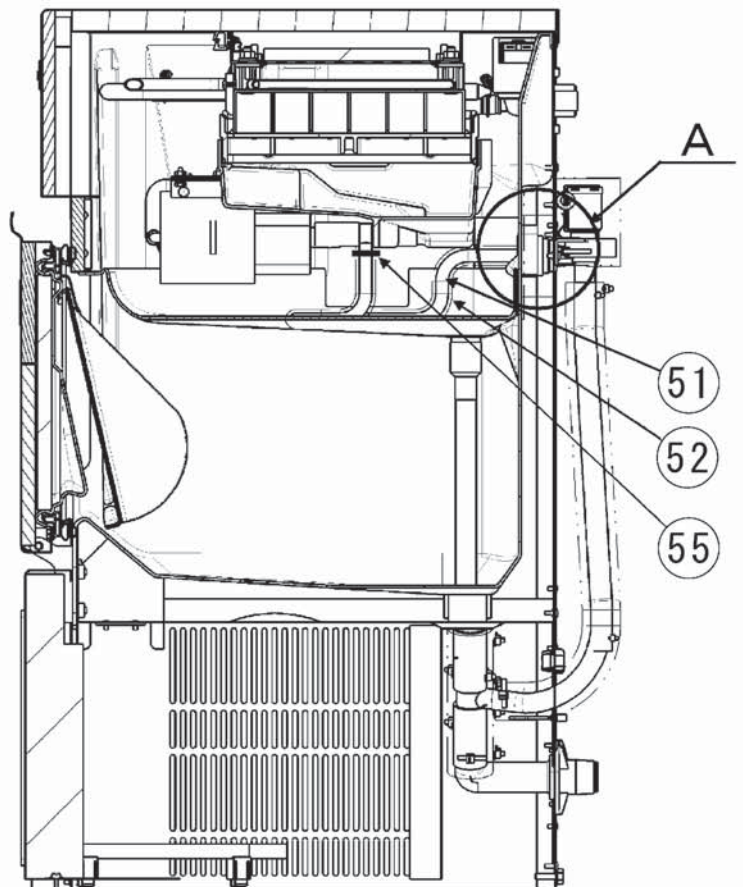
A. ICE CUBBER ASSY (2/3) (A-1) and later



IM-30CNE(-25)  
 IM-21CNE



STRUCTURE



SECT

HE,GRAM

MODEL: <b>IM-30CNE(-25)</b> <b>IM-30CWNE(-25)</b> <b>IM-21CNE</b>			TITLE: <b>A.ICE CUBER ASSY</b>							
INDEX NO.	DESCRIPTION	MATERIAL OR MODEL NUMBER	PART NUMBER	REQ'D NUMBER						
				A-1 B-0	B-1,C-0 D-0	D-1	D-2 E-0	E-1 F-0	F-1 G-0	
B	REFRIGERATION ASSY		1H4798A01	1	-	-	-	-	-	
			1H5199A01	-	1	1	-	-	-	
			1H5199A02	-	-	-	1	1	1	
			(IM-30CWNE(-25) )	1H4822A01	1	-	-	-	-	-
			1H5200A01	-	1	1	1	1	1	
C	ICE MAKING MECHANISM ASSY		1H4799A01	1	1	1	1	-	-	
			1H4799A02	-	-	-	-	1	1	
			(IM-21CNE DRAIN VALVE)	1H5401A01	-	1	1	1	-	-
			1H4799A02	-	-	-	-	1	1	
D	CONTROL BOX ASSY		2X0389A01	1	-	-	-	-	-	
			2X1209A01	-	1	1	-	-	-	
			2X1209A02	-	-	-	1	1	1	
E	DOOR ASSY		3Y5551A01	1	1	1	1	1	1	
F	WATER CIRCUIT ASSY		3Y5553A01	1	1	1	1	1	1	
			(IM-30CWNE(-25) )	3Y5553A02	1	1	1	1	1	1
			(IM-21CNE DRAIN VALVE)	3Y7742A01	-	1	1	1	1	1
L	TRANSFORMER ASSY	IM-21CNE(NAV)	3Y7666A01	-	1	1	1	1	1	
1	UNIT FRAME		1H4797G01	1	1	-	-	-	-	
			(IM-30CNE,-21CNE)	1H4797G02	-	1	-	-	-	-
			1H4797G04	-	-	1	-	-	-	
			1H4797G06	-	-	-	1	1	1	
			(IM-30CWNE(-25) )	1H4797G05	-	-	1	-	-	-
			1H4797G07			-	1	1	1	
			IM-21CNE(NAV)	1H4797001	-	1	-	-	-	-
			1H4797002	-	-	1	-	-	-	
			1H4797003	-	-	-	1	1	1	
			(IM-21CNE DRAIN VALVE)	1H5400G01	-	1	-	-	-	-
			1H5400G02	-	-	1	-	-	-	
			1H5400G03	-	-	-	1	1	1	
			2	TAPPING SCREW - HEX		442040-01	4	4	4	4
3	TRUSS HEAD TAPPING SCREW T2		FT20410S0	4	4	4	4	4	4	
4	FLANGE BOLT (S-TITE)		FTR0408M0	2	2	2	2	2	2	
5	HINGE (RIGHT)		4H2583-01	1	1	1	1	1	1	
6	HINGE (LEFT)		4H2584-01	1	1	1	1	1	1	
7	HEX HEAD BOLT (SPRING WASHER AND FLAT WASHER)		FBK0616S0	4	4	4	4	4	4	
8	SLOPE		3H3628-01	1	1	1	1	1	1	
9	FRONT FRAME		3H1678-10	1	1	1	1	1	1	
10	RIVET	SSD42SSBS(t1.6 ~ 3.2)	7170-0002	4	4	4	4	4	4	
11	INSULATION - FRONT FRAME		4H2317-01	1	1	1	1	1	1	
12	DRAIN PAN		2H1442-01	1	1	1	1	1	1	

HE,GRAM

MODEL: <b>IM-30CNE(-25)</b> <b>IM-30CWNE(-25)</b> <b>IM-21CNE</b>			TITLE: <b>A.ICE CUBER ASSY</b>						
INDEX NO.	DESCRIPTION	MATERIAL OR MODEL NUMBER	PART NUMBER	REQ'D NUMBER					
				A-1 B-0	B-1,C-0 D-0	D-1	D-2 E-0	E-1 F-0	F-1 G-0
13	DRAIN TUBE		4H2585-01	1	1	1	1	1	1
14	DRAIN PIPE		4Y7493P02	1	1	1	1	1	1
15	FRONT PANEL(UPPER)	(HE) Including No. 44	3Y5548G01	1	1	1	1	1	1
		(GRAM) Including No. 44	3Y5548G04	1	1	1	1	1	1
16	INSULATION - TOP		3Y5954P01	1	1	1	1	-	-
			3Y5954P02	-	-	-	-	1	1
17	SPRING WASHER		FWSP04S0	4	-	-	-	-	-
18	TRUSS HEAD MACHINE SCREW		FST0408S0	3	-	-	-	-	-
19	FRONT PANEL(LOWER)	(IM-30CNE(-25),21CNE)	3Y5555G01	1	1	1	-	-	-
			3Y5555G02	-	-	-	1	1	1
20	TRUSS HEAD TAPPING SCREW (S-TITE)		FTS0408M0	1	-	-	-	-	-
21	TAPER COLLAR		4H0171-01	2	2	2	2	2	2
22	RIVET	SSD42BS	7170-0001	2	2	2	2	2	2
23	HOOK		404060-08	1	1	1	1	1	1
24	SPRING		4H0491-01	1	1	1	1	1	1
25	SEAL(B)	(IM-30CNE(-25),21CNE)	4Y7171P01	1	1	1	1	1	1
26	COVER - PIPE		3Y5868M01	1	1	-	-	-	-
			3Y8281M01	-	-	1	1	1	1
27	TRUSS HEAD TAPPING SCREW T2		FT20408F0	6	6	2	2	2	2
		(IM-30CWNE(-25) )		12	12	8	8	8	8
28	REAR PANEL	(IM-30CNE(-25),21CNE)	3Y5575M01	1	1	1	1	1	1
		(IM-30CWNE(-25) )	3Y5619M01	1	1	1	1	1	1
		(IM-21CNE DRAIN VALVE)	3Y7743M01	-	1	1	1	1	1
29	TRUSS HEAD TAPPING SCREW T2	(IM-30CNE(-25),21CNE)	FT20408M0	4	4	4	4	4	4
30	FILTER - GUIDE	(IM-30CNE(-25),21CNE)	2H9010P01	1	1	1	1	1	1
31	FILTER - RAIL	(IM-30CNE(-25),21CNE)	3Y3497P01	1	1	1	1	1	1
32	AIR FILTER	(IM-30CNE(-25),21CNE)	3Y3496G01	1	1	1	1	1	1
33	INSULATION - BIN		4Y7416P01	1	1	1	1	1	1
34	CONNECTOR	except (IM-21CNE DRAIN VALVE)	P00245-02	1	1	1	1	1	1
35	POWER SUPPLY CORD	EU-PLUG(10A)	P03359-01	1	1	1	1	1	1
		UK-PLUG(10A)	P03360-01	1	1	1	1	1	1
		AS-PLUG(10A)	P03361-01	1	1	1	1	1	1
36	OPERATION LABEL		375116L02	1	1	1	1	1	1
37	LABEL - GROUND	except IM-21CNE(NAV)	450452-02	-	-	-	-	-	-
38	TRUSS HEAD TAPPING SCREW (S-TITE)		FTS0408M0	2	2	2	2	2	2
39	BRACKET - FITTING	(IM-30CWNE(-25) )	4Y7181M01	1	1	1	1	1	1
40	COVER - CONNECTOR	ACCESSORIES NO.4	2X0271P01	1	1	1	1	1	1
41	LABEL - CONNECTION	(IM-30CWNE(-25) )	464541-01	1	1	1	1	1	1
42	FRONT PANEL (LO)	(IM-30CWNE(-25) )	3Y6001G01	1	1	1	1	1	1





HE,GRAM

MODEL: <b>IM-30CNE(-25)</b> <b>IM-30CWNE(-25)</b> <b>IM-21CNE</b>			TITLE: <b>A.ICE CUBER ASSY</b>						
INDEX NO.	DESCRIPTION	MATERIAL OR MODEL NUMBER	PART NUMBER	REQ'D NUMBER					
				G-1 H-0	H-1				
B	REFRIGERATION ASSY	(IM-30CNE,-21CNE)	1H5199A02	-	-				
			1H5993A01	1	1				
		(IM-30CNE-25)	1H5199A02	1	1				
		(IM-30CWNE)	1H5200A01	-	-				
			1H5995A01	1	1				
(IM-30CWNE-25)	1H5200A01	1	1						
C	ICE MAKING MECHANISM ASSY		1H4799A02	1	1				
		(IM-21CNE DRAIN VALVE)	1H4799A02	1	1				
D	CONTROL BOX ASSY		2X1209A02	-	-				
			2X3404A01	1	1				
		(IM-30CNE-25) (IM-30CWNE-25)	2X1209A02	1	1				
E	DOOR ASSY		3Y5551A01	1	1				
F	WATER CIRCUIT ASSY		3Y5553A01	1	1				
		(IM-30CWNE(-25) )	3Y5553A02	1	1				
		IM-30CNE(HS)	3Y5553001	-	1				
		(IM-21CNE DRAIN VALVE)	3Y7742A01	1	1				
L	TRANSFORMER ASSY	IM-21CNE(NAV)	3Y7666A01	1	1				
1	UNIT FRAME	(IM-30CNE,-21CNE)	1H4797G06	1	-				
			1H6167G01	-	1				
		(IM-30CWNE(-25) )	1H4797G07	1	-				
			1H6167G02	-	1				
		IM-21CNE(NAV)	1H4797003	1	1				
(IM-21CNE DRAIN VALVE)	1H5400G03	1	1						
2	TAPPING SCREW - HEX		442040-01	4	4				
3	TRUSS HEAD TAPPING SCREW T2		FT20410S0	4	4				
4	FLANGE BOLT (S-TITE)		FTR0408M0	2	2				
		IM-21CNE(NAV)		4	4				
5	HINGE (RIGHT)		4H2583-01	1	1				
6	HINGE (LEFT)		4H2584-01	1	1				
7	HEX HEAD BOLT (SPRING WASHER AND FLAT WASHER)		FBK0616S0	4	4				
8	SLOPE		3H3628-01	1	1				
9	FRONT FRAME		3H1678-10	1	1				
10	RIVET	SSD42SSBS(t1.6~3.2)	7170-0002	4	4				
11	INSULATION - FRONT FRAME		4H2317-01	1	1				
12	DRAIN PAN		2H1442-01	1	1				
13	DRAIN TUBE		4H2585-01	1	1				
14	DRAIN PIPE		4Y7493P02	1	1				
15	FRONT PANEL(UPPER)	(HE) Including No. 44	3Y5548G01	1	1				
		(GRAM) Including No. 44	3Y5548G04	1	1				

HE,GRAM

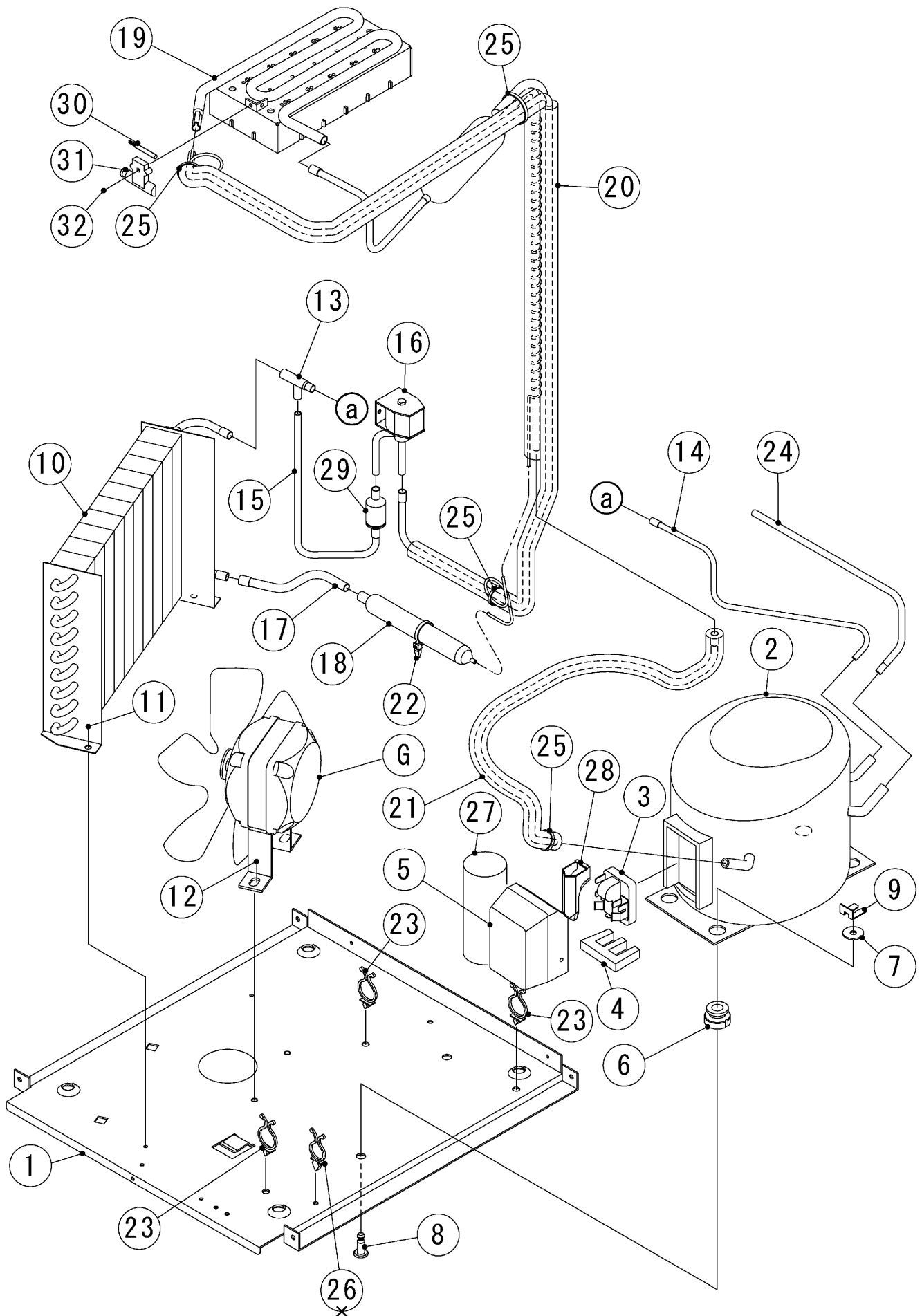
MODEL: <b>IM-30CNE(-25)</b> <b>IM-30CWNE(-25)</b> <b>IM-21CNE</b>		TITLE: <b>A.ICE CUBER ASSY</b>							
INDEX NO.	DESCRIPTION	MATERIAL OR MODEL NUMBER	PART NUMBER	REQ'D NUMBER					
				G-1 H-0	H-1				
16	INSULATION - TOP		3Y5954P02	1	1				
19	FRONT PANEL(LOWER)	(IM-30CNE(-25),21CNE)	3Y5555G02	1	1				
21	TAPER COLLAR		4H0171-01	2	2				
22	RIVET	SSD42BS	7170-0001	2	2				
23	HOOK		404060-08	1	1				
24	SPRING		4H0491-01	1	1				
25	SEAL(B)	(IM-30CNE(-25),21CNE)	4Y7171P01	1	1				
26	COVER - PIPE		3Y8281M01	1	-				
			3Y5868M01	-	1				
27	TRUSS HEAD TAPPING SCREW T2	(IM-30CWNE(-25) )	FT20408F0	2	6				
				8	12				
28	REAR PANEL	(IM-30CNE(-25),21CNE)	3Y5575M01	1	1				
		(IM-30CWNE(-25) )	3Y5619M01	1	1				
		(IM-21CNE DRAIN VALVE)	3Y7743M01	1	1				
29	TRUSS HEAD TAPPING SCREW T2	(IM-30CNE(-25),21CNE)	FT20408M0	4	4				
30	FILTER - GUIDE	(IM-30CNE(-25),21CNE)	2H9010P01	1	1				
31	FILTER - RAIL	(IM-30CNE(-25),21CNE)	3Y3497P01	1	1				
32	AIR FILTER	(IM-30CNE(-25),21CNE)	3Y3496G01	1	1				
33	INSULATION - BIN		4Y7416P01	1	1				
34	CONNECTOR	except (IM-21CNE DRAIN VALVE)	P00245-02	1	1				
35	POWER SUPPLY CORD	EU-PLUG(10A)	P03359-01	1	1				
		UK-PLUG(10A)	P03360-01	1	1				
		AS-PLUG(10A)	P03361-01	1	1				
36	OPERATION LABEL		375116L02	1	1				
37	LABEL - GROUND	except IM-21CNE(NAV)	450452-02	-	-				
38	TRUSS HEAD TAPPING SCREW (S-TITE)		FTS0408M0	2	2				
39	BRACKET - FITTING	(IM-30CWNE(-25) )	4Y7181M01	1	1				
40	COVER - CONNECTOR	ACCESSORIES NO.4	2X0271P01	1	1				
41	LABEL - CONNECTION	(IM-30CWNE(-25) )	464541-01	1	1				
42	FRONT PANEL (LO)	(IM-30CWNE(-25) )	3Y6001G01	1	1				
43	REAR PANEL	(IM-30CWNE(-25) )	3Y5619M01	1	1				
44	EMBLEM	(HE)	340842-01	1	1				
	EMBLEM-GRAM	(GRAM)	4Y6123L01	1	1				
45	PAN HEAD SCREW SW		FSK0408S0	4	4				
46	POWER CORD	(IM-21CNE DRAIN VALVE)	P00791-01	1	1				
47	WATER VALVE	(IM-21CNE DRAIN VALVE)	464202-01	1	1				
48	RUBBER GASKET	(IM-21CNE DRAIN VALVE)	413854-03	1	1				
49	PIPE-DRAIN(A)	(IM-21CNE DRAIN VALVE)	4Y0633-01	1	1				
50	FITTING NUT	(IM-21CNE DRAIN VALVE)	426910-01	1	1				
51	DRAIN HOSE(A)	(IM-21CNE DRAIN VALVE)	4Y0631-01	1	1				



IM-30CNE(-25)  
IM-21CNE

B. REFRIGERATION ASSY

(A-1) and later



HE,GRAM

MODEL: <b>IM-30CNE(-25)</b> <b>IM-21CNE</b>			TITLE: <b>B.REFRIGERATION ASSY</b>						
INDEX NO.	DESCRIPTION	MATERIAL OR MODEL NUMBER	PART NUMBER	REQ'D NUMBER					
				A-1 B-0	B-1,C-0 D-0	D-1	D-2 E-0	E-1 F-0	F-1 G-0
G	FAN MOTOR ASSY		3Y5554A01	1	1	1	1	1	1
1	BASE		1H4820M01	1	-	-	-	-	-
			1H5190M01	-	1	1	-	-	-
			1H5500M01	-	-	-	1	1	1
2	COMPRESSOR		450900-01	1	1	1	1	1	1
		(230V 60Hz)	P01902-01	1	1	1	1	1	1
		IM-21CNE(NAV)	462711-01	-	1	1	1	1	1
3	PTC STARTING DEVICE		450901-01	1	1	1	1	1	1
	STARTING RELAY	IM-21CNE(NAV)	462712-01	-	1	1	1	1	1
4	CORD RELIEF		4A3264-01	1	1	1	1	1	1
			IM-21CNE(NAV)	462714-01	-	1	1	1	1
5	COVER		450896-01	1	1	1	1	1	1
			IM-21CNE(NAV)	462715-01	-	1	1	1	1
6	RUBBER GROMMET		450897-01	4	4	4	4	4	4
7	WASHER CUSHION		450894-01	2	2	2	2	2	2
		(230V 60Hz)	P02793-01	2	2	2	2	2	2
8	STEEL PIN		452255-01	2	2	2	2	2	2
9	CLIP		452256-01	2	2	2	2	2	2
10	CONDENSER - AIR COOLED		P02261-01	1	1	1	-	-	-
			P03554-01	-	-	-	1	1	1
11	FLANGE BOLT (S-TITE)		FTQ0410M0	2	2	2	2	2	2
12	HEX HEAD BOLT (SPRING WASHER AND FLAT WASHER)		FBK0612F0	2	2	2	2	2	2
13	TEE		420041-03	1	1	1	1	1	1
14	COPPER TUBE(H)		3Y5618M01	1	1	1	-	-	-
			3Y8365M01	-	-	-	1	1	1
15	COPPER TUBE(A)-HOT GAS	COPPER TUBE A-HOT GAS 4Y7178G01	4Y7172M01	1	1	1	1	1	1
16	HOT GAS VALVE		P02539-01	1	1	1	1	1	1
17	COPPER TUBE - DRIER		4Y7173M01	1	1	1	1	1	1
18	DRIER		P03584-01	1	1	1	1	1	1
19	EVAPORATOR		3H9020G02	1	1	1	1	1	1
		(IM-30CNE-25)	3H3881G01	1	1	1	1	1	1
20	HEAT EXCHANGER ASSY		3Y5633G01	1	1	1	1	1	1
21	COPPER TUBE (L)		3Y5621G01	1	1	1	1	1	1
		IM-21CNE(NAV)	3Y7672G01	-	1	1	1	1	1
22	TIE		457167-01	1	1	1	1	1	1
23	CLAMP		P04381-01	2	3	3	3	3	3
24	PROCESS TUBE		4Y7174M01	1	1	1	1	1	1
		IM-21CNE(NAV)	4Y8305M01	-	1	1	1	1	1
25	NYLON TIE	CV-100	7920-0002	4	4	4	4	4	4

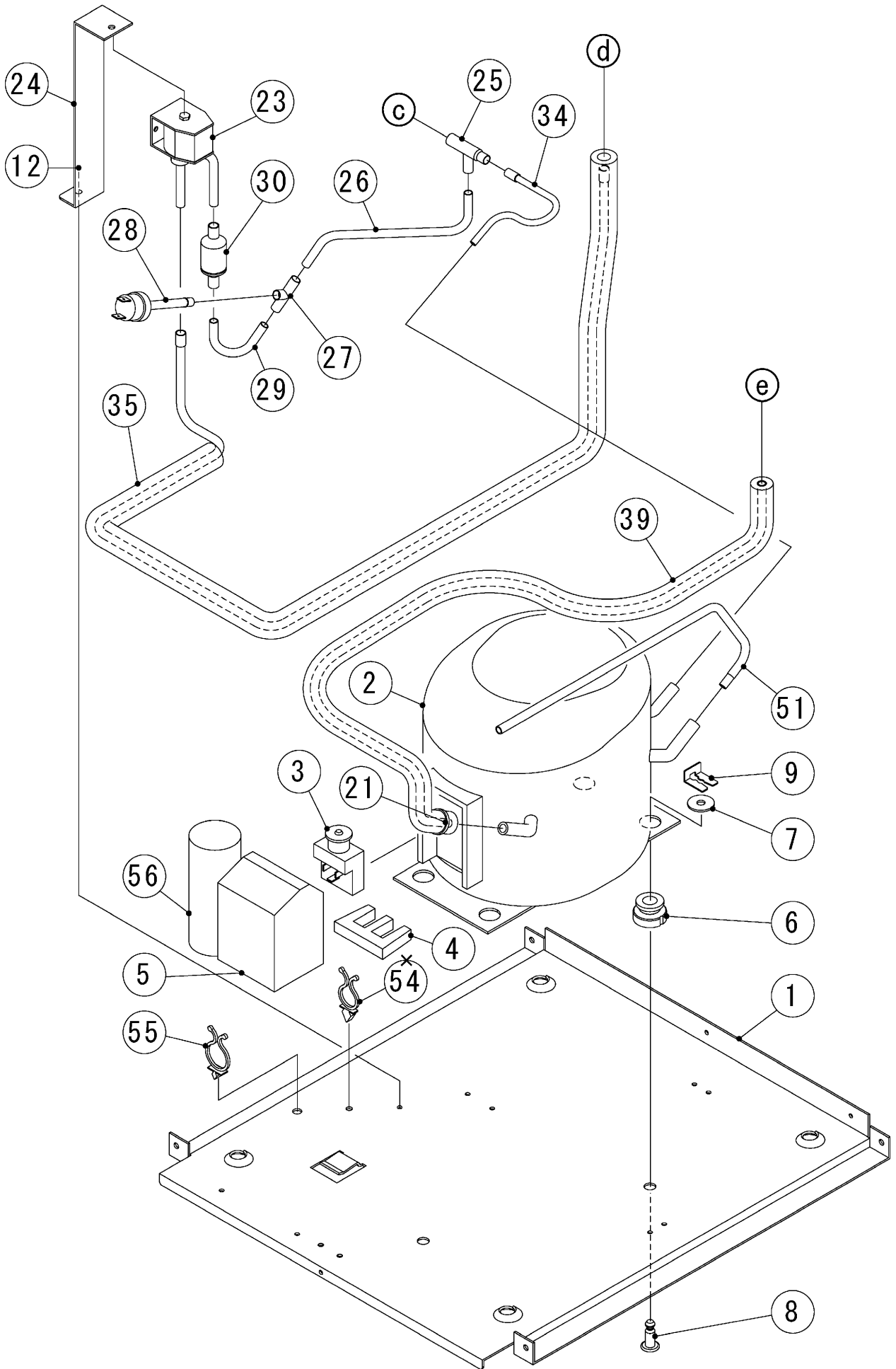


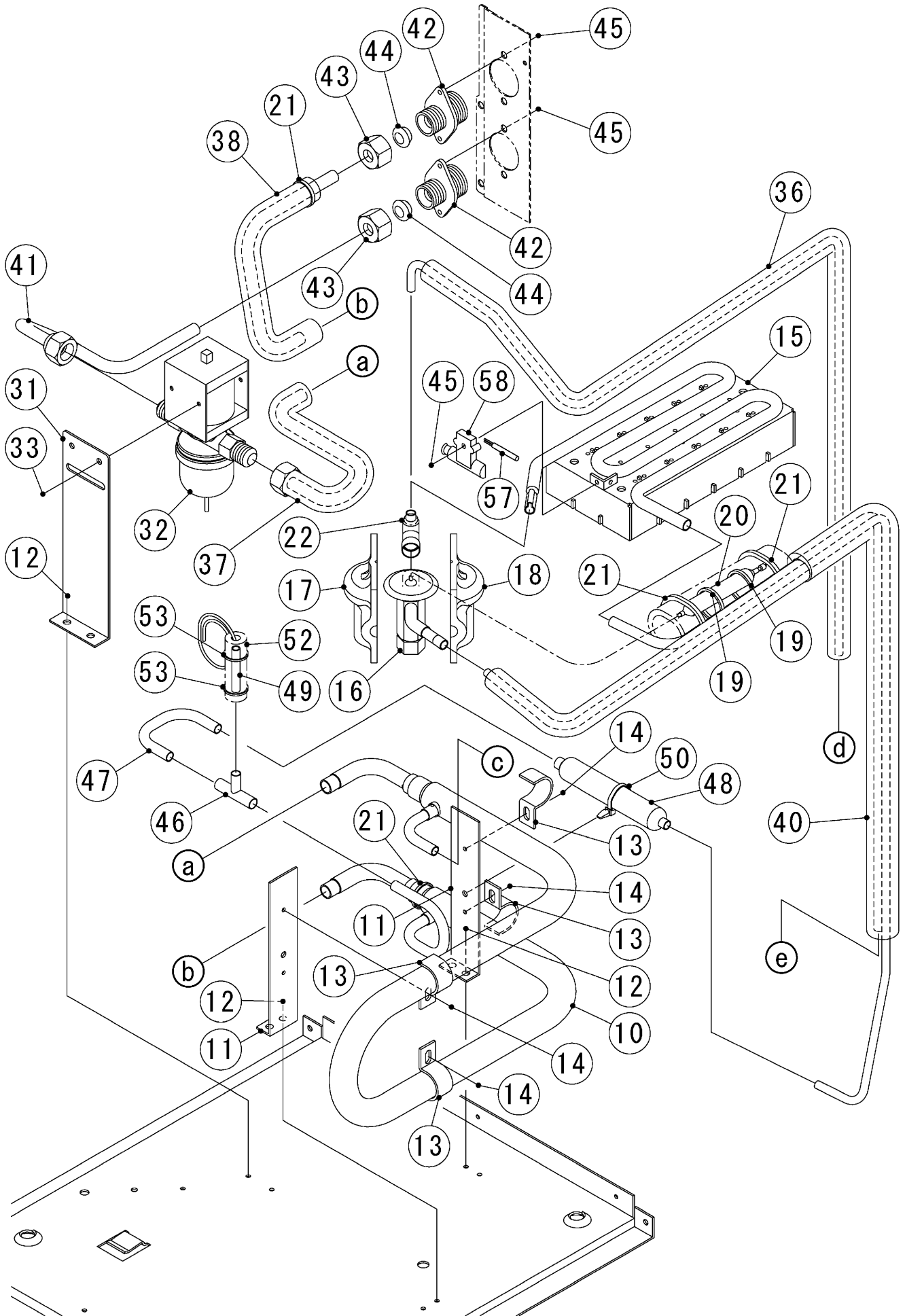
HE,GRAM

MODEL: <b>IM-30CNE(-25)</b> <b>IM-21CNE</b>			TITLE: <b>B.REFRIGERATION ASSY</b>						
INDEX NO.	DESCRIPTION	MATERIAL OR MODEL NUMBER	PART NUMBER	REQ'D NUMBER					
				G-1 H-0	H-1				
G	FAN MOTOR ASSY		3Y5554A01	1	1				
1	BASE		1H5500M01	1	1				
2	COMPRESSOR		450900-01	1	1				
		(230V 60Hz)	P01902-01	1	1				
3	PTC STARTING DEVICE STARTING RELAY		450901-01	1	1				
		IM-21CNE(NAV)	462712-01	1	1				
4	CORD RELIEF		4A3264-01	1	1				
		IM-21CNE(NAV)	462714-01	1	1				
5	COVER		450896-01	1	1				
		IM-21CNE(NAV)	462715-01	1	1				
6	RUBBER GROMMET		450897-01	4	4				
7	WASHER CUSHION		450894-01	2	2				
		(230V 60Hz)	P02793-01	2	2				
8	STEEL PIN		452255-01	2	2				
9	CLIP		452256-01	2	2				
10	CONDENSER - AIR COOLED		P03554-01	1	1				
11	FLANGE BOLT (S-TITE)		FTQ0410M0	2	2				
12	HEX HEAD BOLT (SPRING WASHER AND FLAT WASHER)		FBK0612F0	2	2				
13	TEE		420041-03	1	1				
14	COPPER TUBE(H)		3Y8365M01	1	1				
15	COPPER TUBE(A)-HOT GAS	COPPER TUBE A-HOT GAS 4Y7178G01	4Y7172M01	1	1				
16	HOT GAS VALVE		P02539-01	1	1				
17	COPPER TUBE - DRIER		4Y7173M01	1	1				
18	DRIER		P03584-01	1	1				
19	EVAPORATOR		3H9020G02	-	-				
			2X2526G02	1	1				
		(IM-30CNE-25)	3H3881G01	1	1				
20	HEAT EXCHANGER ASSY		3Y5633G01	1	1				
21	COPPER TUBE (L)		3Y5621G01	1	1				
		IM-21CNE(NAV)	3Y7672G01	1	1				
22	TIE		457167-01	1	1				
23	CLAMP		P04381-01	3	3				
24	PROCESS TUBE		4Y7174M01	1	1				
		IM-21CNE(NAV)	4Y8305M01	1	1				
25	NYLON TIE	CV-100	7920-0002	4	4				
27	STARTING CAPACITOR	IM-21CNE(NAV)	462713-01	1	1				
28	SHIELD - PTC	except IM-21CNE(NAV)	P01396-01	1	1				
29	STRAINER	COPPER TUBE A-HOT GAS 4Y7178G01	P00008-01	1	1				









HE,GRAM

MODEL: <b>IM-30CWNE(-25)</b>			TITLE: <b>B.REFRIGERATION ASSY</b>						
INDEX NO.	DESCRIPTION	MATERIAL OR MODEL NUMBER	PART NUMBER	REQ'D NUMBER					
				A-1 B-0	B-1,C-0 D-0	D-1	D-2 E-0	E-1 F-0	F-1 G-0
1	BASE		2X0450M01	1	-	-	-	-	-
			2X1211M01	-	1	1	1	1	1
2	COMPRESSOR		450900-01	1	1	1	1	1	1
		(230V 60Hz)	P01902-01	-	-	-	-	1	1
3	STARTING RELAY		451264-01	1	1	1	1	1	1
		(230V 60Hz)	P01903-01	-	-	-	-	1	1
4	CORD RELIEF		4A3264-01	1	1	1	1	1	1
5	COVER		450896-01	1	1	1	1	1	1
6	RUBBER GROMMET		450897-01	4	4	4	4	4	4
7	WASHER CUSHION		450894-01	2	2	2	2	2	2
		(230V 60Hz)	P02793-01	-	-	-	-	1	1
8	STEEL PIN		452255-01	2	2	2	2	2	2
9	CLIP		452256-01	2	2	2	2	2	2
10	CONDENSER - WATER COOLED		2X0722G01	1	1	1	1	1	1
11	BRACKET - CONDENSER		4H5731-01	2	2	2	2	2	2
12	FLANGE BOLT (S-TITE)		FTQ0410M0	7	7	7	7	7	7
13	CLAMP(B) - CONDENSER		4H0622-01	4	4	4	4	4	4
14	TRUSS HEAD TAPPING SCREW T2		FT20408F0	4	4	4	4	4	4
15	EVAPORATOR		3H9020G02	1	1	1	1	1	1
		(IM-30CWNE-25)	3H3881G01	-	1	1	1	1	1
16	EXPANSION VALVE		P00381-01	1	1	1	1	1	1
17	VALVE COVER(A)		4Y3332-01	1	1	1	1	1	1
18	VALVE COVER(B)		4Y3333-01	1	1	1	1	1	1
19	WIRE		1H4822Z01	2	2	2	2	2	2
20	INSULATION		4X8643-01	1	1	1	1	1	1
21	TIE	CV-150	7920-0003	5	5	5	5	5	5
22	TEE		420335-01	1	1	1	1	1	1
23	HOT GAS VALVE		P02539-01	1	1	1	1	1	1
24	BRACKET - HOT GAS VALVE		4H5186-01	1	1	1	1	1	1
25	TEE		420041-03	1	1	1	1	1	1
26	COPPER TUBE(D)		4Y7361M01	1	1	1	1	1	1
27	TEE		417394-01	1	1	1	1	1	1
28	PRESSURE SWITCH	R134a,R22,R404A	459863-01	1	1	1	1	1	1
29	COPPER TUBE(C)		4Y7362M01	1	1	1	1	1	1
30	STRAINER		P00008-01	1	1	1	1	1	1
31	BRACKET - WATER REGULATOR		4Y7363M01	1	1	1	1	1	-
			4Y7363M02	-	-	-	-	-	1
32	WATER REGULATOR		P04020-01	1	1	1	1	1	1
33	TRUSS HEAD MACHINE SCREW		FST0406S0	2	2	2	2	2	2
34	COPPER TUBE(A)		4Y7364M01	1	1	1	1	1	1
35	COPPER TUBE(E) - HOT GAS		3Y5892G01	1	1	1	1	1	1
36	COPPER TUBE (G) - HOT GAS		3Y5893G01	1	1	1	1	1	1



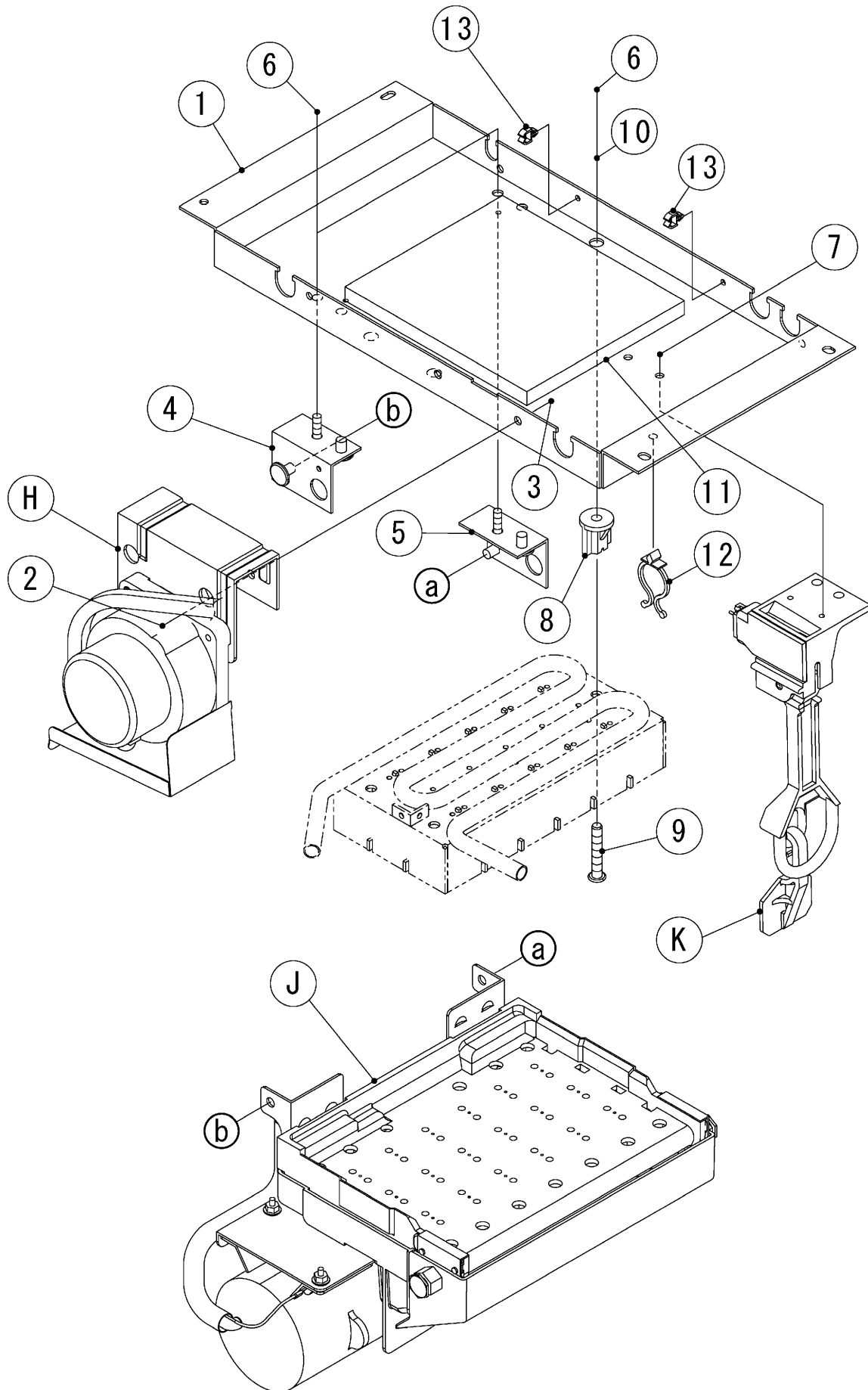
HE,GRAM

MODEL: <b>IM-30CWNE(-25)</b>			TITLE: <b>B.REFRIGERATION ASSY</b>						
INDEX NO.	DESCRIPTION	MATERIAL OR MODEL NUMBER	PART NUMBER	REQ'D NUMBER					
				G-1 H-0	H-1				
1	BASE		2X1211M01	1	1				
2	COMPRESSOR		450900-01	1	1				
		(230V 60Hz)	P01902-01	1	1				
3	STARTING RELAY		451264-01	1	1				
		(230V 60Hz)	P01903-01	1	1				
4	CORD RELIEF		4A3264-01	1	1				
5	COVER		450896-01	1	1				
6	RUBBER GROMMET		450897-01	4	4				
7	WASHER CUSHION		450894-01	2	2				
		(230V 60Hz)	P02793-01	1	1				
8	STEEL PIN		452255-01	2	2				
9	CLIP		452256-01	2	2				
10	CONDENSER - WATER COOLED		2X0722G01	1	1				
11	BRACKET - CONDENSER		4H5731-01	2	2				
12	FLANGE BOLT (S-TITE)		FTQ0410M0	7	7				
13	CLAMP(B) - CONDENSER		4H0622-01	4	4				
14	TRUSS HEAD TAPPING SCREW T2		FT20408F0	4	4				
15	EVAPORATOR		3H9020G02	-	-				
			2X2526G02	1	1				
		(IM-30CWNE-25)	3H3881G01	1	1				
16	EXPANSION VALVE		P00381-01	1	1				
17	VALVE COVER(A)		4Y3332-01	1	1				
18	VALVE COVER(B)		4Y3333-01	1	1				
19	WIRE		1H4822Z01	2	2				
20	INSULATION		4X8643-01	1	1				
21	TIE	CV-150	7920-0003	5	5				
22	TEE		420335-01	1	1				
23	HOT GAS VALVE		P02539-01	1	1				
24	BRACKET - HOT GAS VALVE		4H5186-01	1	1				
25	TEE		420041-03	1	1				
26	COPPER TUBE(D)		4Y7361M01	1	1				
27	TEE		417394-01	1	1				
28	PRESSURE SWITCH	R134a,R22,R404A	459863-01	1	1				
29	COPPER TUBE(C)		4Y7362M01	1	1				
30	STRAINER		P00008-01	1	1				
31	BRACKET - WATER REGULATOR		4Y7363M02	1	1				
32	WATER REGULATOR		P04020-01	1	1				
33	TRUSS HEAD MACHINE SCREW		FST0406S0	2	2				
34	COPPER TUBE(A)		4Y7364M01	1	1				
35	COPPER TUBE(E) - HOT GAS		3Y5892G01	1	1				
36	COPPER TUBE (G) - HOT GAS		3Y5893G01	1	1				
37	PIPE(A) - WATER SUPPLY		4Y7366G01	1	1				



IM-30CNE(-25)  
IM-30CWNE(-25)  
IM-21CNE

C. ICE MAKING MECHANISM ASSY (A-1) and later





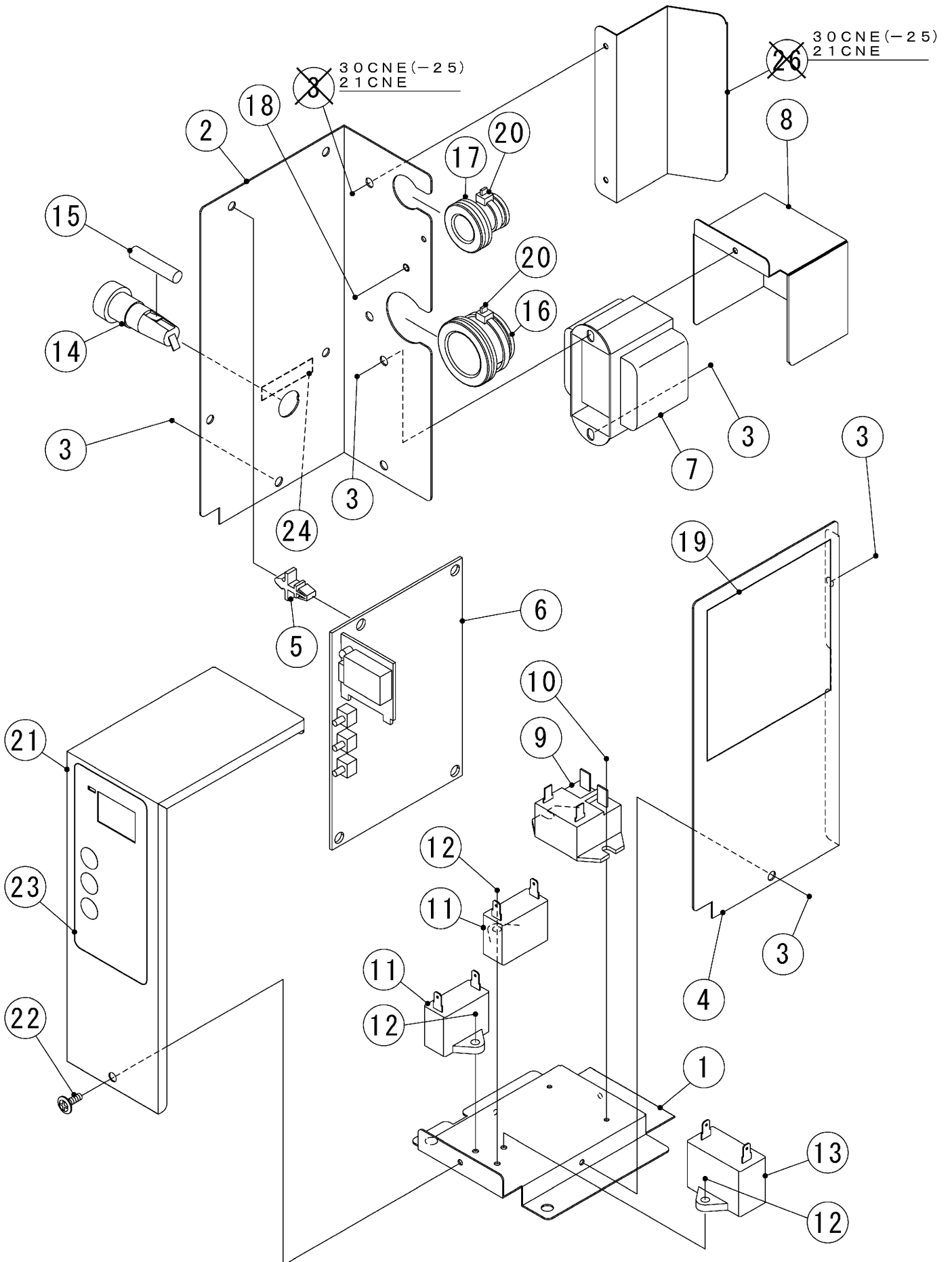




IM-30CNE(-25)  
IM-30CWNE  
IM-21CNE

D. CONTROL BOX ASSY

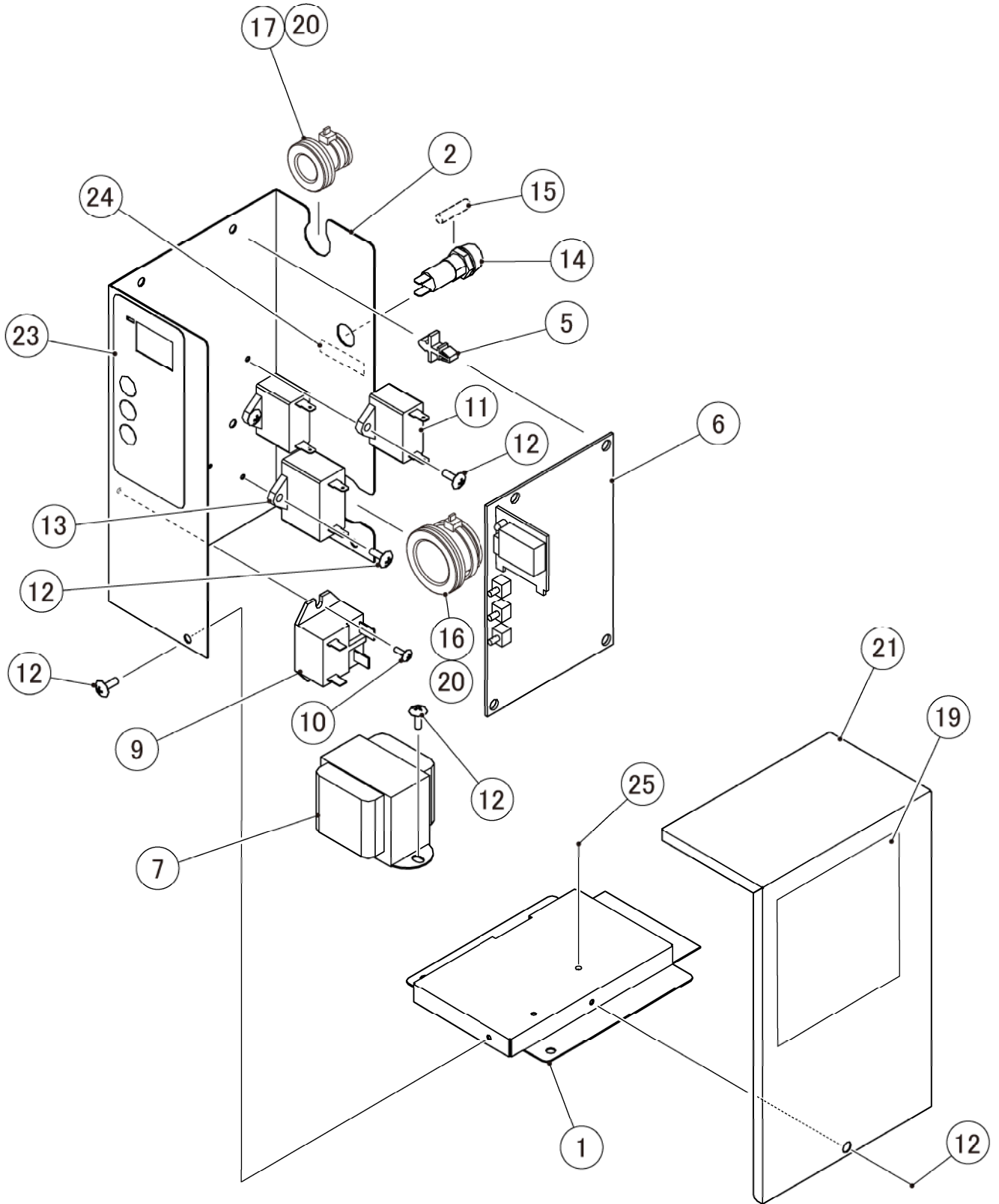
(A-1) (B-0)



IM-30CNE(-25)  
IM-30CWNE(-25)  
IM-21CNE

D. CONTROL BOX ASSY

(B-1) and later





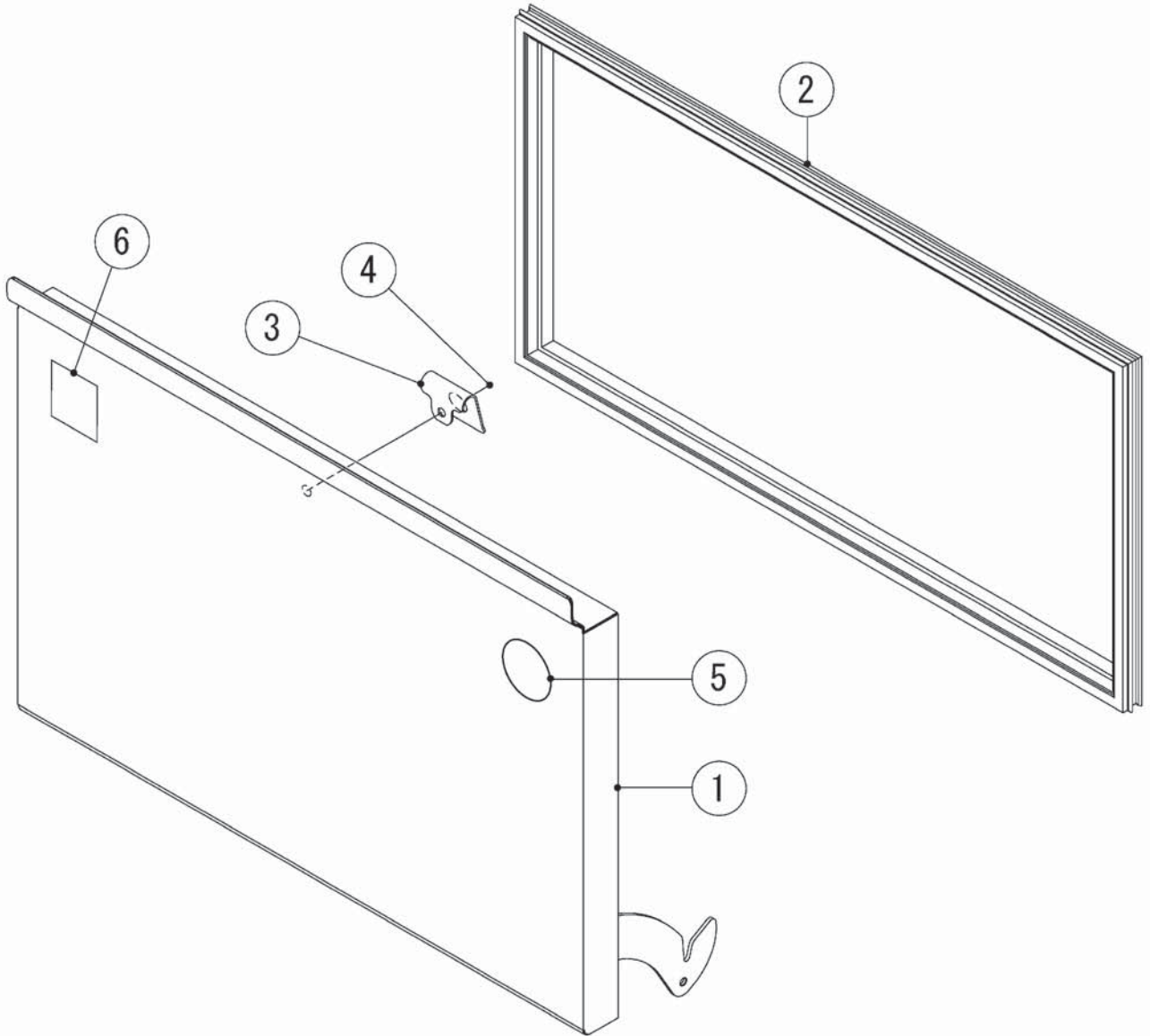
HE,GRAM

MODEL: <b>IM-30CNE(-25)</b> <b>IM-30CWNE(-25)</b> <b>IM-21CNE</b>		TITLE: <b>D.CONTROL BOX ASSY</b>							
INDEX NO.	DESCRIPTION	MATERIAL OR MODEL NUMBER	PART NUMBER	REQ'D NUMBER					
				G-1 H-0	H-1				
1	CONTROL BOX(A)		3Y8364M01	1	1				
2	CONTROL BOX(B)		3Y6708M01	1	1				
5	BOARD SUPPORT		P04204-01	4	4				
6	CONTROLLER BOARD		P01873-01	-	-				
			P01873-02	1	1				
		(IM-30CNE-25) (IM-30CWNE-25)	P01873-01	1	1				
7	TRANSFORMER		P02714-01	1	1				
9	POWER RELAY		P02203-02	1	1				
10	TRUSS HEAD TAPPING SCREW T2		FT20308F0	1	1				
11	CAPACITOR		P01870-01	2	2				
12	TRUSS HEAD TAPPING SCREW T2		FT20410F0	8	8				
13	CAPACITOR		P02158-01	1	1				
14	FUSE HOLDER		P02829-01	1	1				
15	FUSE		P04203-01	1	1				
		IM-21CNE(NAV)	451924-03	1	1				
16	GROMMET		4H2568-01	1	1				
17	GROMMET		4H2568-02	1	1				
19	WIRING LABEL		3Y5635L01	1	1				
		IM-21CNE(NAV)	3Y7670L01	1	1				
20	TIE	CV-150	7920-0003	2	2				
21	CONTROL BOX COVER		3Y6707M01	1	1				
23	CONTROL LABEL		475642L01	1	1				
24	LABEL - FUSE		466798-01	1	1				
		IM-21CNE(NAV)	479684L01	1	1				
25	TRUSS HEAD SCREW		FST0408S0	1	1				

IM-30CNE(-25)  
IM-30CWNE(-25)  
IM-21CNE

E. DOOR ASSY

(A-1) and later





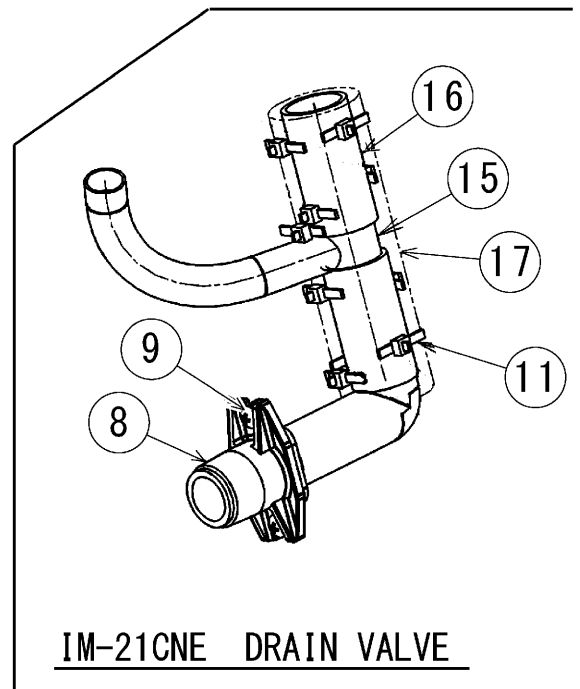
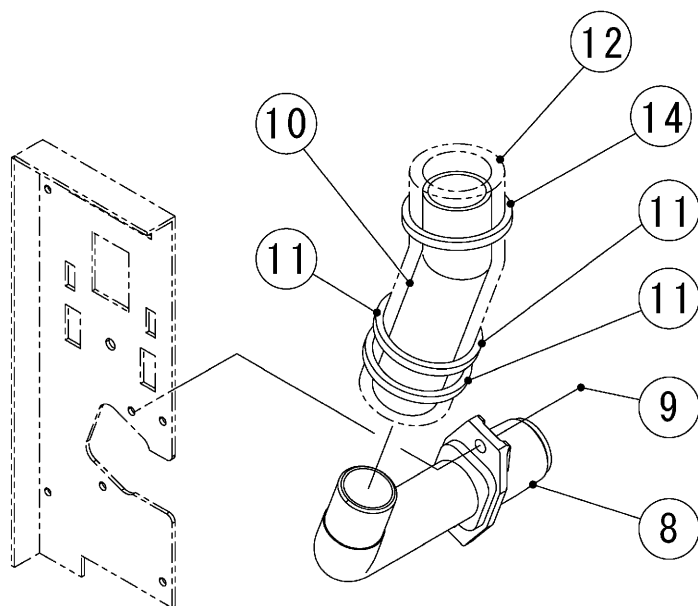
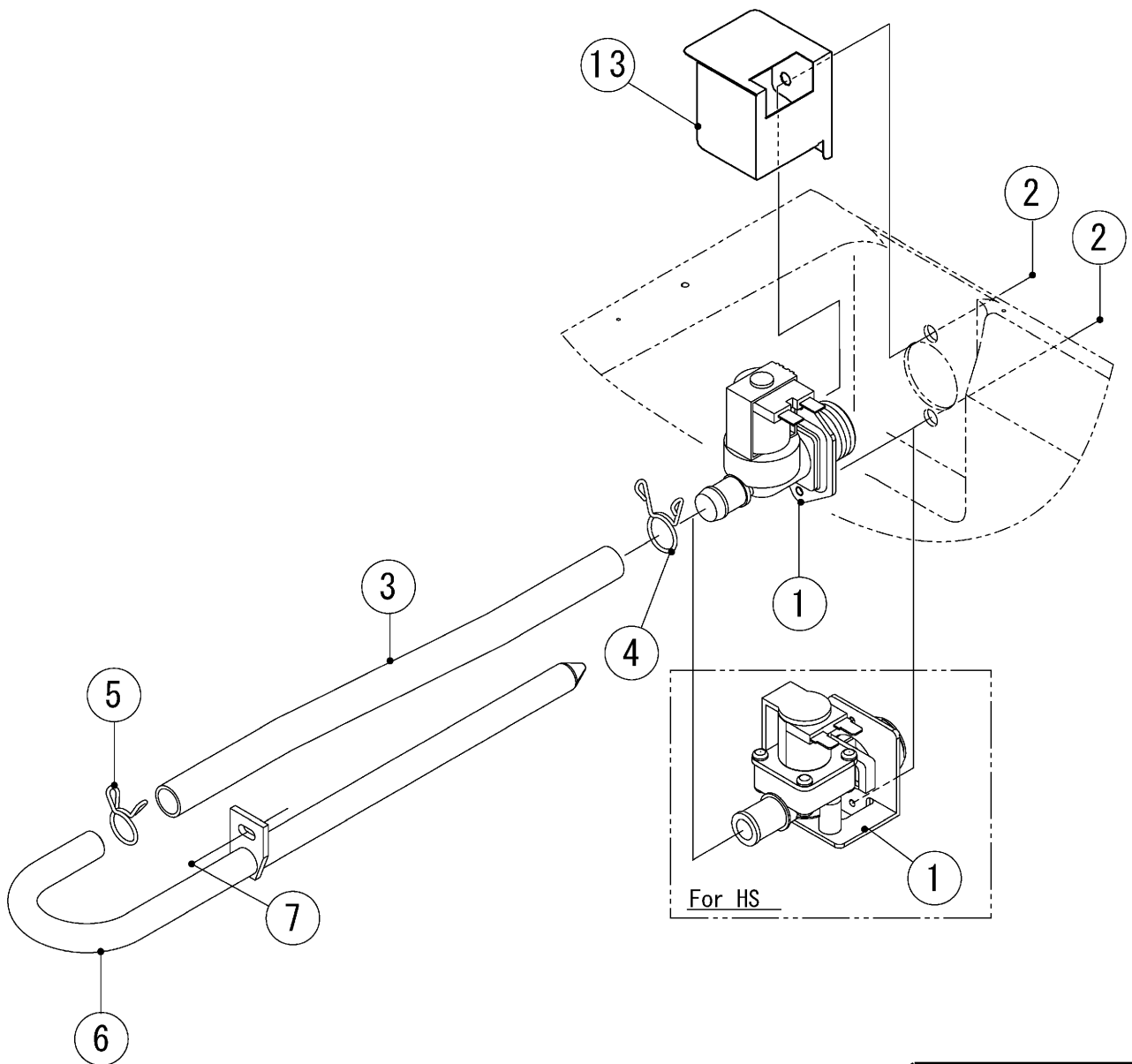




IM-30CNE(-25)  
IM-30CWNE(-25)  
IM-21CNE

F. WATER CIRCUIT ASSY

(A-1) and later



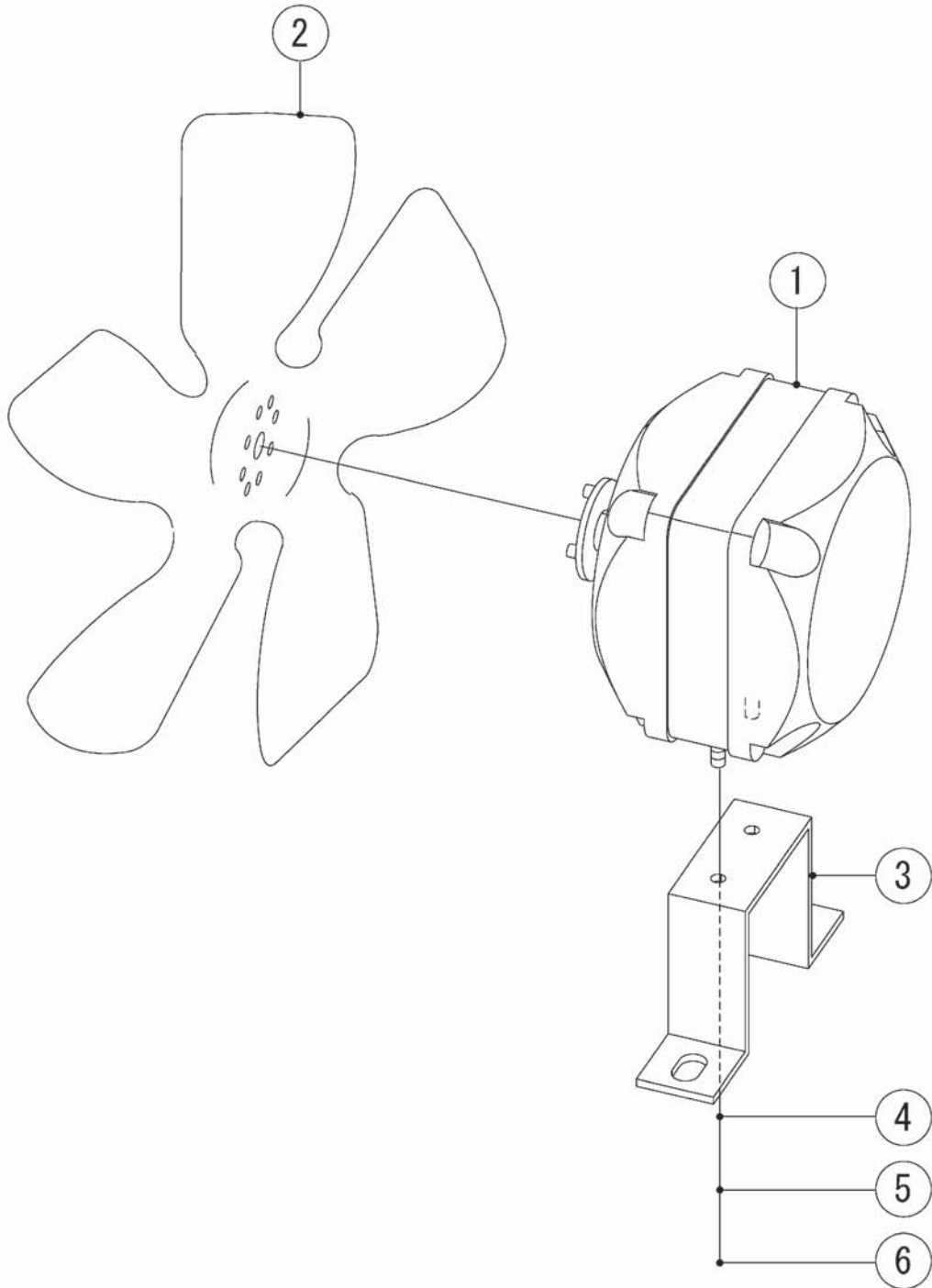




IM-30CNE(-25)  
IM-21CNE

G. FAN MOTOR ASSY

(A-1) and later



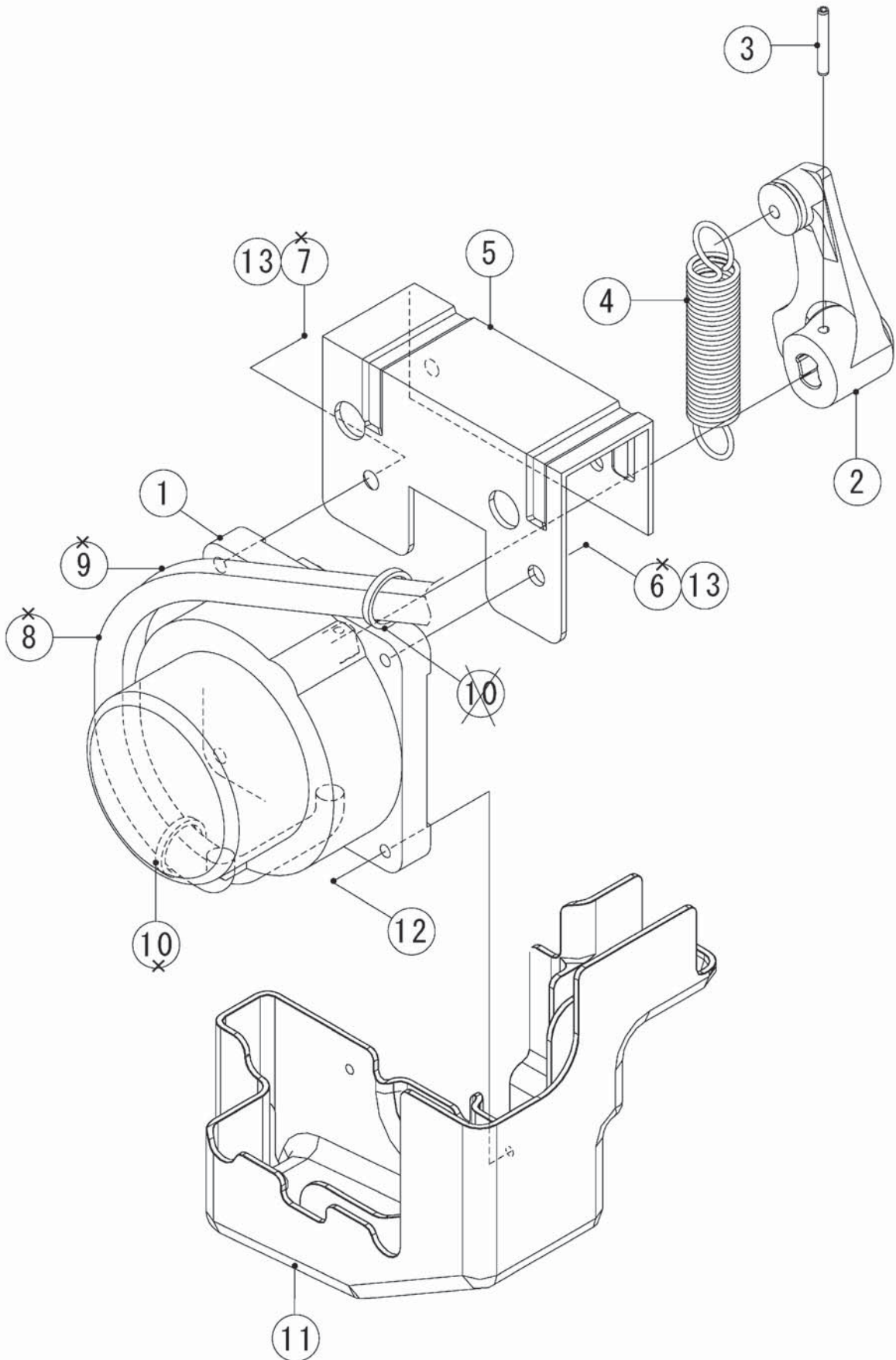




IM-30CNE(-25)  
IM-30CWNE(-25)  
IM-21CNE

H. ACTUATOR MOTOR ASSY

(A-1) and later









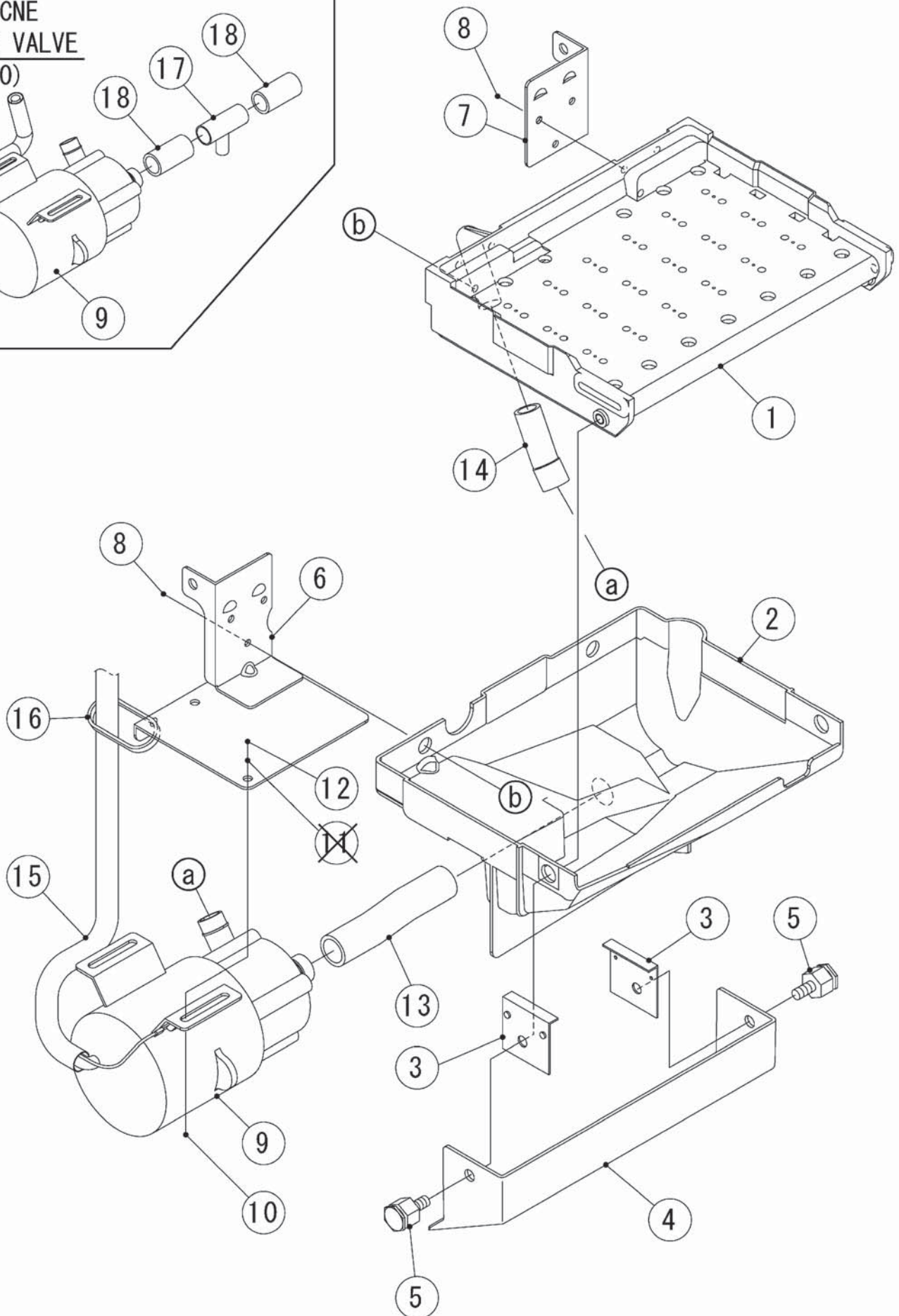
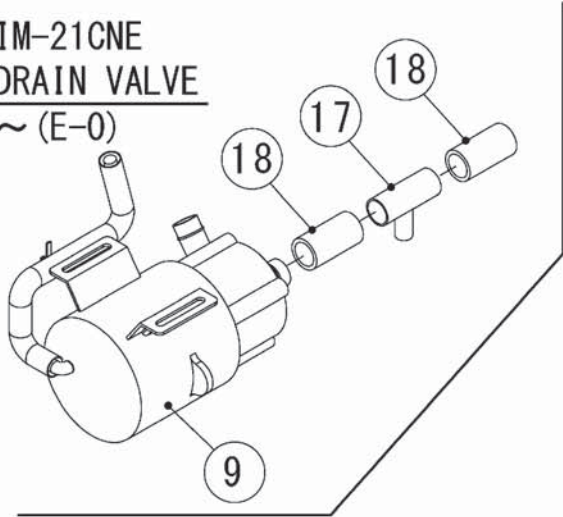
IM-30CNE(-25)  
IM-30CWNE(-25)  
IM-21CNE

J. WATER PAN ASSY

(A-1) and later

IM-21CNE  
DRAIN VALVE

~ (E-0)

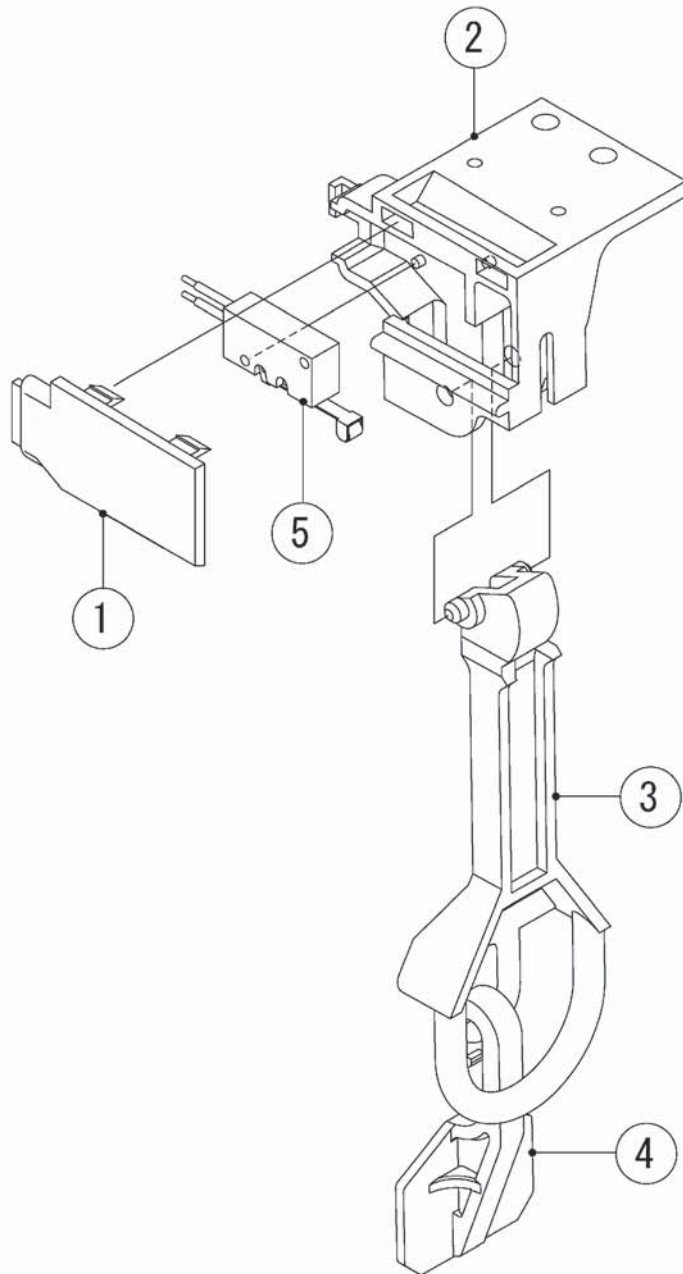






IM-30CNE(-25)  
IM-30CWNE(-25)  
IM-21CNE K. BIN CONTROL SWITCH ASSY (A-1) and later

---





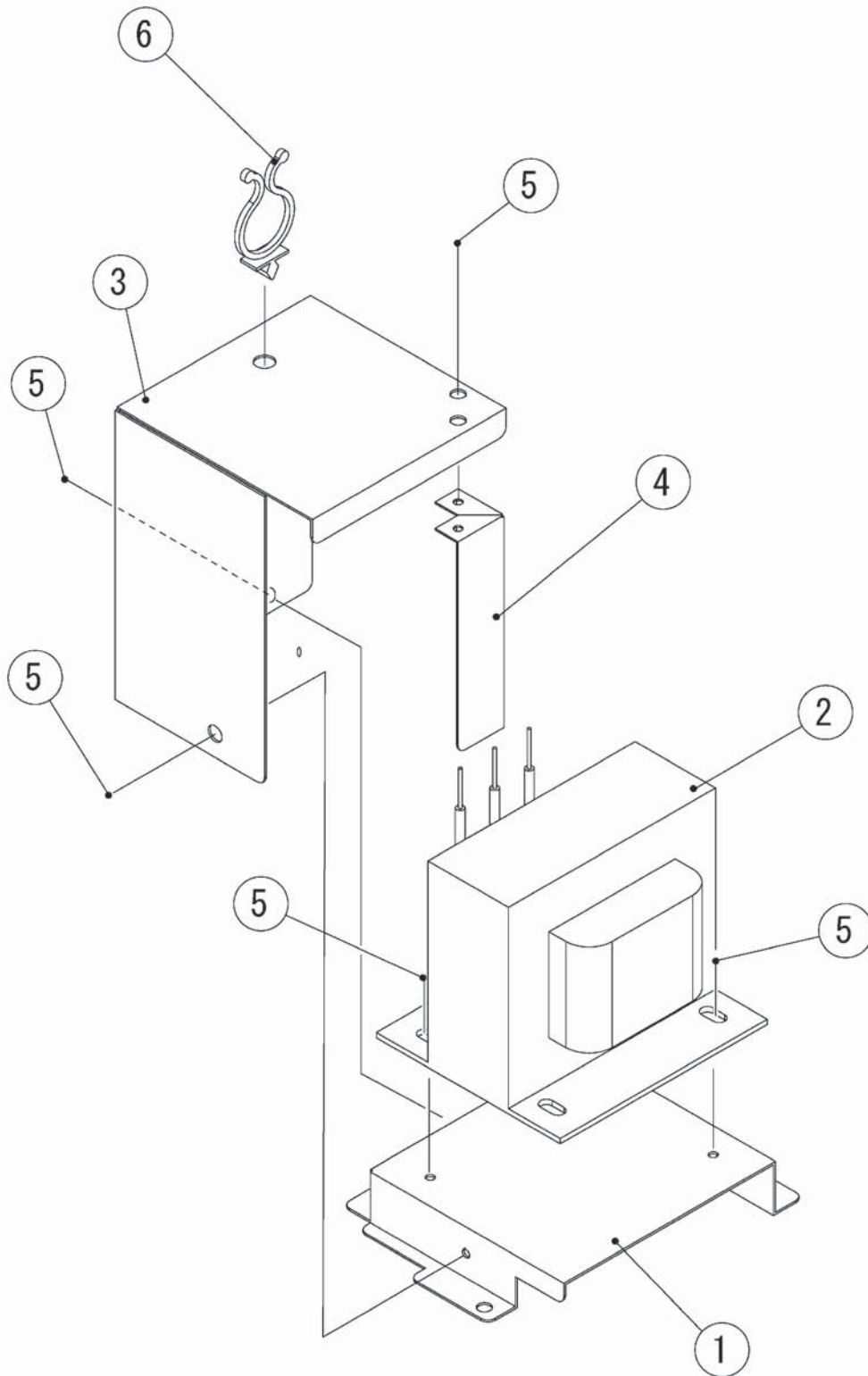




IM-21CNE  
(115V 60Hz UK-NAVY)

L. TRANSFORMER ASSY

(C-0) and later







IM-30CNE(-25)  
IM-30CWNE(-25)  
IM-21CNE

M. ACCESSORIES

(A-1) and later

