

# Sinks & Basins



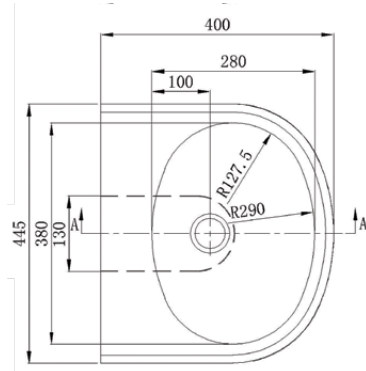
## Public Amenities Hand Basin



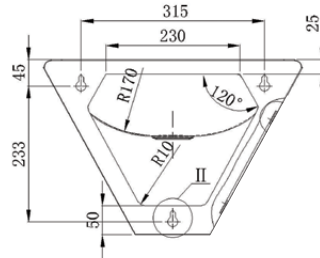
### HB-VR

- 7L capacity
- Constructed from 1.2mm 304 grade stainless steel
- Satin finish
- 40mm outlet - Suits PW40 & SSBW-40
- Concealed plumbing
- Suits P trap installation
- Integrated wall bracket
- Access panel with vandal resistant screws
- 80mm rear hob for multiple tapware choices
- Left, right or centre tap holes on request
- Taphole position and size to be indicated when ordering

Top



Back



Side

