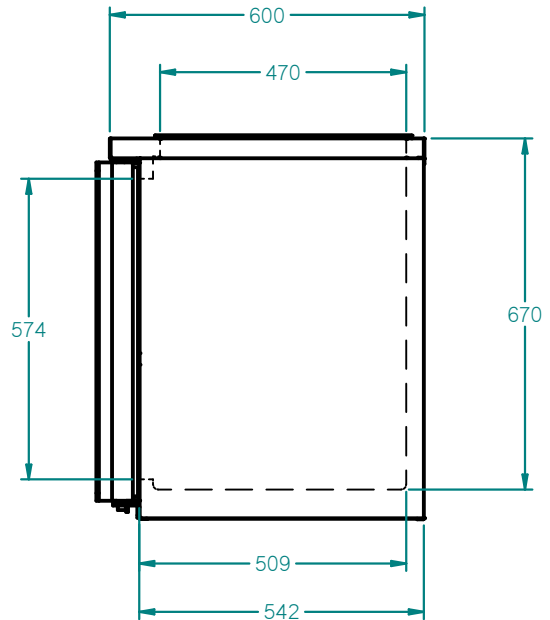
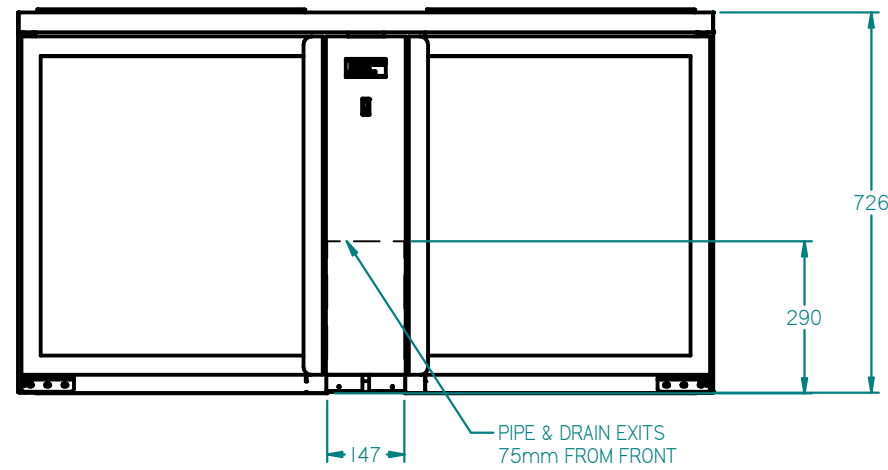
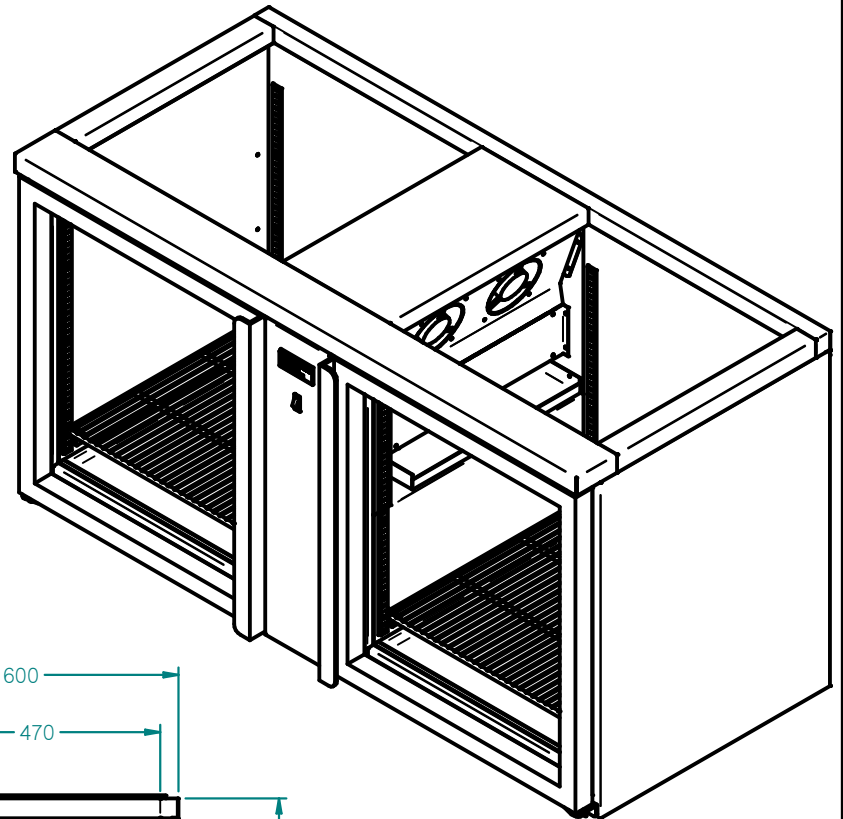
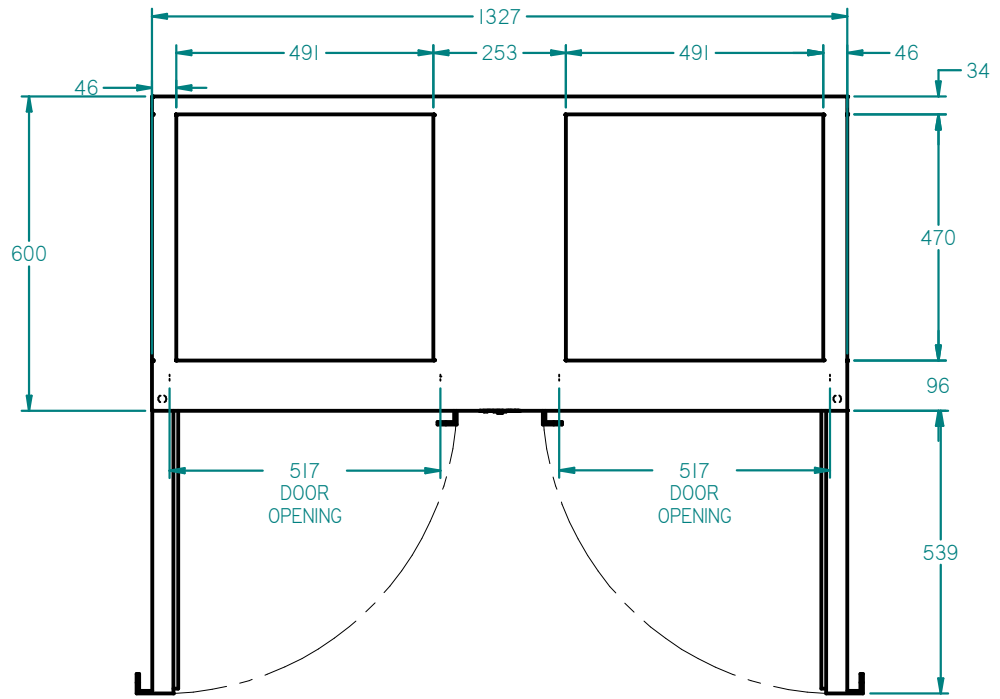


0 1 2 3 4 5 6 7 8



williams
 REFRIGERATION AUST. PTY. LTD
 This drawing and all copies produced remain the property of Williams Refrigeration and must not be copied or distributed by any third party without obtaining authorisation

UNLESS OTHERWISE STATED ALL DIMENSIONS IN MILLIMETERS.
 GENERAL TOLERANCES:
 LINEAR +/-0.5
 ANGULAR +/-1°

DRAWN: **AJ**
 DATE: **29/03/22**
 CHECKED: **E.B.**
 DRAFTING STANDARD AS 1100

MATERIAL: -
 MODEL: GC2RGD-000
 TITLE: GLASS CHILLER - REMOTE 2 DOOR

Location: -
 DWG: **GC2RGD-000**

REV	DESCRIPTION	DATE	BY
-	-	-	-