



UNDERCOUNTER REFRIGERATOR/FREEZER

INSTRUCTION MANUAL

RTE-120SDA-GN
RTE-170SDA-GN
RTE-120SDA-GN-ML
RTE-170SDA-GN-ML
FTE-120SDA-GN
FTE-170SDA-GN
FTE-120SDA-GN-ML
FTE-170SDA-GN-ML

HOSHIZAKI (SUZHOU) CO., LTD.

No. 15 Qingqiu Street, Suzhou Industrial Park, Suzhou 215126 China

L1T040206 (053118)

IMPORTANT SAFETY INFORMATION

Throughout this manual, notices appear to bring your attention to situations which could result in death, serious injury, or damage to the unit.

WARNING	Indicates a hazardous situation which, if not avoided, could result in death or serious injury.
CAUTION	Indicates a hazardous situation which, if not avoided, could result in minor or moderate injury.
NOTICE	Indicates a hazardous situation which, if not avoided, could result in damage to the unit.
HYGIENE	Indicates important precautions for hygiene and food safety.
IMPORTANT	Indicates important information about the use and care of the unit.

IMPORTANT

This booklet is an integral and essential part of the product and should be kept and preserved by the user.

Please read carefully the guidelines and warnings contained herein as they are intended to provide the installer/user with essential information for the proper installation and the continued safe use and maintenance of the product.

Please preserve this booklet for any further consultation that may be necessary.

WARNING

This is a commercial refrigerator/freezer, and should be destined only to be used for the purpose for which it has been expressly designed.

Any other use should be considered improper and therefore dangerous. The manufacturer will not be held liable or responsible for any damage caused by improper, incorrect and unreasonable use.

The installation, and relocation if necessary, must be carried out by qualified personnel, in accordance with current regulations, according to the manufacturer's instructions.

Do not wet this product or use it in potentially wet conditions. This may cause electric leakage, resulting in electric shock or fire.

Keep ventilation openings, in the appliance enclosure or in the built-in structure, clear of obstruction.

ENGLISH

The use of any electrical appliance involves the observance of some fundamental rules. In particular:

- * Instances of high humidity and moisture increase the risk of electrical short circuits and potential electrical shocks. If in doubt, disconnect the refrigerator/freezer.
- * Do not damage the power cord or pull it in order to disconnect the refrigerator/freezer from the electrical supply network.
- * If the supply cord and the plug should need to be replaced, it should only be done by a qualified service engineer in order to avoid a hazard.
- * Do not touch the electrical parts or operate the switches with damp hands.
- * This appliance is not intended for use by persons (including children) with reduced physical, sensory or mental capabilities, or lack of experience and knowledge, it can however be used by children aged from 8 years and above and persons with reduced physical, sensory or mental capabilities, or lack of experience and knowledge providing they have been given supervision or instruction concerning use of the appliance by a person responsible for their safety.
- * Children shall not play with the appliance.
- * Cleaning and user maintenance shall not be made by children without supervision.
- * Do not attempt to modify the refrigerator/freezer. Only qualified personnel may disassemble or repair the appliance.
- * Do not store any volatile or flammable substances such as benzene, ether, adhesives and LPG, or any explosive substances such as aerosol cans with a flammable propellant in the unit.

I. GENERAL INFORMATION

1. CONSTRUCTION

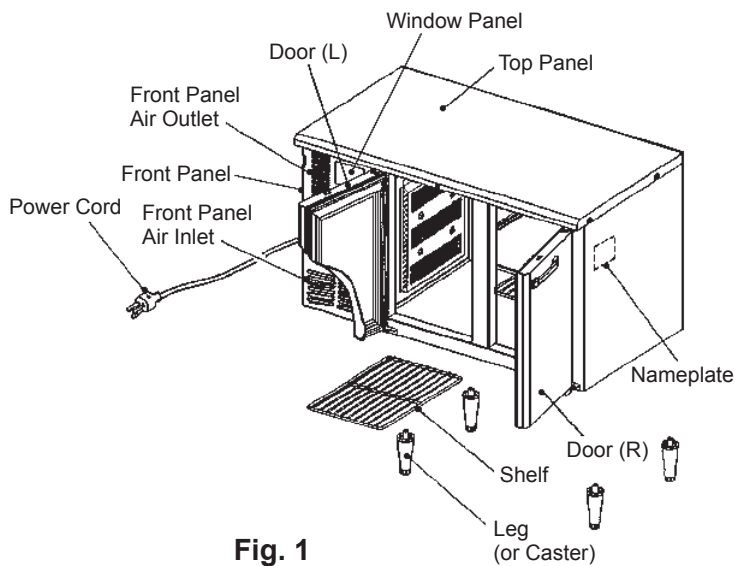


Fig. 1

Note: Attach the four legs (or casters) provided to the mounting holes located at the bottom of the unit.

II. INSTALLATION AND OPERATING INSTRUCTIONS

1. LOCATION

IMPORTANT

This refrigerator/freezer is not intended for outdoor use. Normal operating ambient temperature should be within 5°C to 43°C (ISO climatic class: 5).

For best operating results:

- * The refrigerator/freezer should not be located next to ovens, grills or other high heat producing equipment.
- * The location should provide a firm foundation for the equipment.
- * To adjust the height of the unit, turn the adjusters of the adjustable legs. The unit should always be level from side to side and back to front (levelness: within 1°).

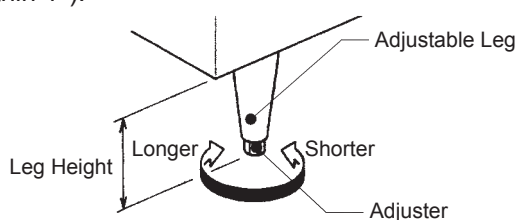


Fig. 2

CAUTION

The height of the adjustable legs must be within 9 - 12 cm (or 15 - 18 cm for some models). If extended too much, the legs may become weak or the adjusters can come off, causing unexpected injuries.

- * Avoid a site where dripping is not allowed. Especially, a side-by-side or back-to-back installation (possibly with other manufacturer's unit) may cause condensation between the two units, resulting in dripping onto the floor.
- * Do not expose the unit to direct sunlight or higher temperatures.
- * Allow at least 50 cm clearance between the front panel air inlet/outlet and the wall or other equipment for proper air circulation. The front of the unit should have enough space for smooth adjustment of the cabinet temperature. If the ambient temperature can exceed 38°C, allow at least 10 cm clearance from the wall at the side of the machine compartment to prevent overloading and damaging the refrigeration circuit.

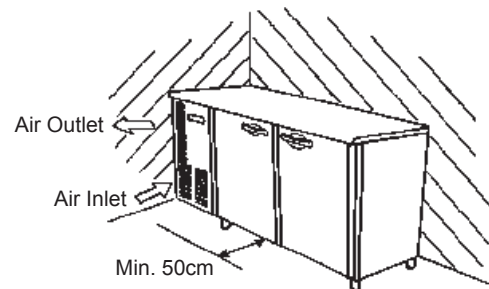


Fig. 3

2. SET UP

IMPORTANT

1. Do not tilt the unit more than 45° when mounting the legs or casters.
2. Carry the unit by holding its bottom.

- 1) Cut the shipping band and remove the carton.

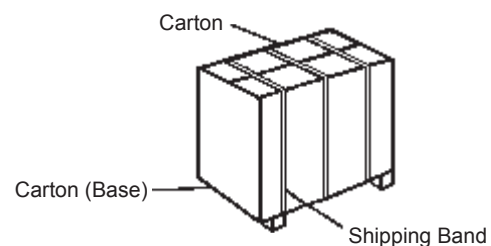


Fig. 4

- 2) Take out the accessory legs or casters.

ENGLISH

- 3) Tilt the unit backward to mount the front legs or casters (work in pair).

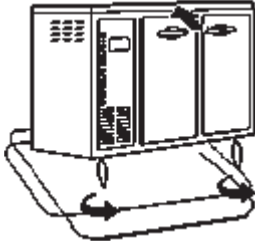


Fig. 5

- 4) Mount the rear legs or casters in the same way. When mounting the casters, lock the two front casters before mounting the rear ones, or the unit will slide when tilted.
- 5) Before operating the unit, remove all shipping carton, packing, tape(s) and protective plastic film on the exterior and top panel. Be careful not to damage the exterior panels.
- 6) Position the unit in a selected site.
- 7) Clean the interior with a soft cloth soaked in cold or warm water containing the proper amount of neutral cleaner and wrung dry.
- 8) Level the refrigerator/freezer in both the left-to-right and the front-to-rear directions (levelness: within 1°).

3. SHELF AND SHELF CLIP

- * The shelf is adjustable in 1" increments. Adjust the shelf clips according to the height of stored items.
- * To attach the shelf clip, insert the upper tab into an adjust hole in the shelf post to hook the shelf clip, and push the lower tab into another adjust hole until it locks in place. To detach the shelf clip, reverse the above procedure.

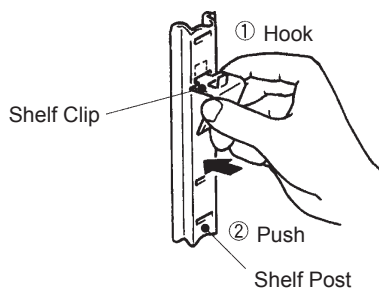


Fig. 6

CAUTION

Attach the shelf clips properly to make the shelf level.

4. ELECTRICAL CONNECTIONS

IMPORTANT

This refrigerator/freezer is provided with no power switch or earth leakage circuit breaker, but with overcurrent protection (fuse) only. Install a switch rated at least 10A on the main power supply.

- * This refrigerator/freezer must be plugged into the separated power receptacle which is readily accessible and has enough capacity. The maximum allowable voltage variation should not exceed ± 10 percent of the nameplate rating. See the nameplate.

5. OPERATION

IMPORTANT

1. Be careful not to wet the machine compartment. This might cause failure or electric shock hazard.
2. To prevent electric shock, do not touch the attachment plug with wet hands.
3. This refrigerator/freezer is designed only for temporary storage of foods. Use for any other purposes (e.g. storage of chemicals or medical supplies such as vaccine and serum) could cause deterioration of stored items.
4. Do not throw anything onto the shelves or load more than 30 kg on each of them. They may fall off and cause injury.
5. Do not store bottles or cans near the air outlet. They may freeze up and break, causing a risk of injury.
6. Do not use combustible spray or place volatile and flammable substances near the unit. They could catch fire from a spark of a switch or the like.
7. Do not put anything into the machine compartment or the air inlet/outlet. The fan rotating rapidly inside may cause injury or heat.
8. Energise the refrigerator/freezer for 1 hour and check for proper temperature before putting foods in the cabinet.
9. Do not block the air inlet/outlet with foods.

10. Do not pack the cabinet with foods. Allow some space between them to ensure a good air flow.
11. Do not put in warm or hot foods. Let them cool first, or they will raise the cabinet temperature and could deteriorate other foods in the cabinet or overload the refrigerator/freezer.
12. Make sure all items are snug on each shelf.
13. Moist or fresh foods and those with a strong smell like seafood should be wrapped up in a plastic film or packed in a container. Otherwise the foods may dry up or give their smells to other foods.
14. Foods containing acetic acid or yeast should be wrapped up in a plastic film. Otherwise they may accelerate corrosion of the evaporator and copper tubes, resulting in failure.
15. Foods intended for direct human consumption should be stored on the shelf in a proper container and protected from direct contact with the cabinet walls.
16. Do not use the freezer to freeze foods. It is designed only to store frozen foods. High quality ice cream may melt during defrost cycle and should not be stored in the freezer.
17. The doors may become difficult to open just after closed because of the negative pressure created inside the cabinet. Wait for about 30 seconds.

- 3) Keep pressing the set point button, and push the temperature control button until the temperature display window shows the desired temperature. The cabinet temperature is adjustable between -6°C and 12°C for the refrigerator and between -7°C and -25°C for the freezer.

Note: The above temperature range may not be available when the ambient temperature exceeds 30°C .

- 4) The displayed cabinet temperature is adjusted to be almost equal to the temperature at the center of the cabinet without foods. But it can be different from the actual temperature depending on arrangement of stored foods, frequency of door opening or measuring points.

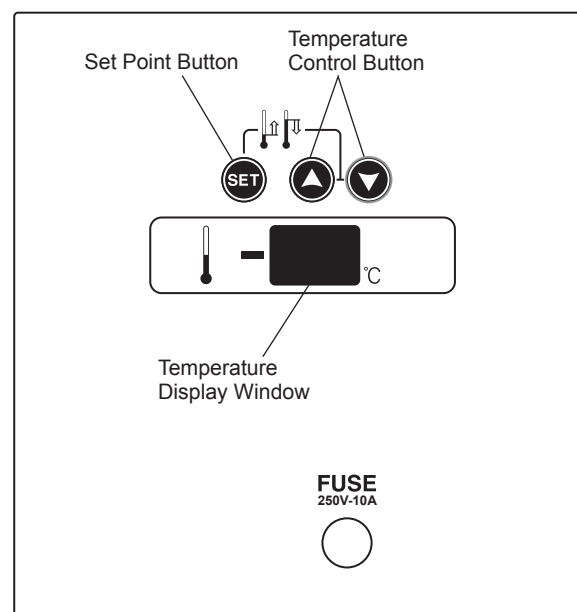


Fig. 7

[a] START UP

- 1) Plug in the unit.
- 2) The compressor and condenser fan motor will start in 3.5 minutes.

[b] CABINET TEMPERATURE SETTING

The cabinet temperature is factory-adjusted to 3°C for the refrigerator and -18°C for the freezer. If necessary, readjust the temperature as follows:

- 1) Open the front panel.
- 2) Press the set point button to display the current set point temperature.

[c] RAPID REFRIGERATION

To refrigerate stored foods rapidly, choose the rapid refrigeration mode. The interior fan motor will operate continuously to accelerate refrigeration.

- 1) Keep pressing the rapid button for 5 seconds to operate the interior fan motor continuously. The decimal point on the temperature display window will disappear during the rapid refrigeration.
- 2) To resume normal operation, keep pressing the rapid button for 5 seconds. The decimal point will reappear on the temperature display window.

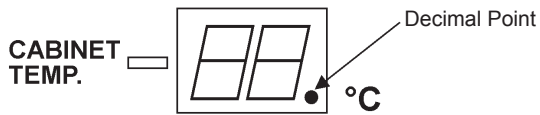


Fig. 8

[d] DEFROST

The refrigerator/freezer automatically defrosts the evaporator every 6 hours. The temperature display window shows "dF" during defrost cycle.

To start a manual defrost cycle, hold down the two temperature control buttons at the same time for a while. The next defrost cycle will begin in 6 hours.

[e] SHUT DOWN

- 1) Before shutting down the unit, move the stored foods into another refrigerator/freezer.
- 2) Unplug the unit or disconnect the main power supply.
- 3) When preparing the unit for long storage, clean the cabinet interior and door gaskets, dry them thoroughly and store the unit in a dry place.

III. MAINTENANCE AND CLEANING INSTRUCTIONS

WARNING

1. Before carrying out any cleaning or maintenance operations, unplug the unit.
2. Do not touch or wet the machine compartment parts. This could result in failure or breakdown.
3. To prevent possible damage, do not clean the plastic parts with water above 40°C or in a dishwasher.

1. INTERIOR, EXTERIOR, SHELF

- * Clean the interior and exterior at least once a week for sanitary use. The unit can be moved by unlocking the casters [caster models].
- * Clean off the interior and exterior with a soft cloth soaked in cold or warm water containing the proper amount of neutral cleaner and wrung dry. Do not use a water jet to clean the machine compartment.
- * Chemical agents other than neutral cleaner might cause damage to the interior and exterior surfaces.

- * Any remaining detergent will damage metal or plastic surfaces. Use a soft cloth dampened with warm water to wipe it off.

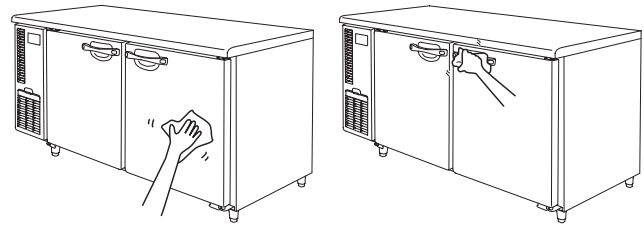


Fig. 9

- * Do not use the following items. They could damage painted or plastic surfaces:

Polishing powder, alcohol, thinner, benzene, acidic or alkaline detergent, hot water, petroleum, soap powder, metal scourer or brush, etc. Especially detergent to clean grease on ventilator or microwave.

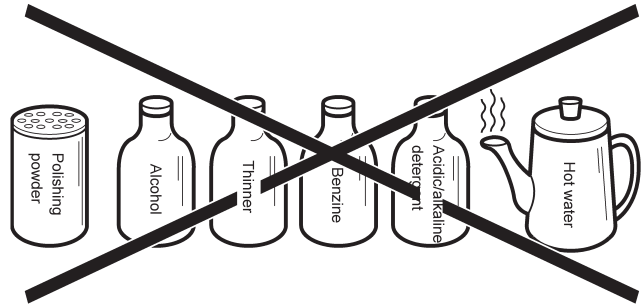


Fig. 10

Note: Some solutions other than the above may also damage painted or plastic surfaces. Immediately stop using such solutions if they cause any problems.

- * The door gasket and its contact surface get soiled easily. Clean every surface of these parts thoroughly. Remnants of food will accelerate aging.
- * Use a cloth to wipe off any water staying inside the cabinet.

2. AIR FILTER

Plastic mesh air filters remove dirt or dust from the air, and keep the condenser from getting clogged. If the filters get clogged, the refrigerator/freezer's performance will be reduced. Check the filters at least twice a month. When clogged, use warm water and a neutral cleaner to wash the filters. Do not operate the unit with the air filters removed, or the condenser will get clogged, resulting in failure.

- 1) Remove the air filter from the front panel.

- 2) Wash the air filter carefully with cold or warm water containing the proper amount of neutral cleaner. Rinse and dry the air filter thoroughly.
- 3) To refit the air filter, put the two tabs into the bottom slots in the front panel, and tightly attach the air filter over the entire slots by using the magnet provided.

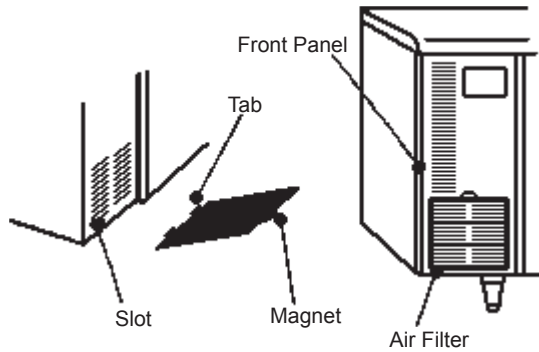


Fig. 11

IV. BEFORE CALLING A SERVICE AGENT

IMPORTANT

1. If the temperature display window on the operation panel indicates an error code or something seems wrong with the unit, check for possible causes according to the following instructions. If the problem still exists, immediately contact an authorized Hoshizaki service company.
2. When contacting a service company, let them know the model name, serial number, date of installation (see warranty card) and state of the trouble.
3. Do not attempt to repair the unit yourself.

1. TROUBLES WITH ERROR CODE INDICATION

When the temperature display window on the operation panel flashes alternately between an error code and the cabinet temperature, check the error code and follow the instructions below.

- 1) If one of the following error codes is displayed, immediately contact an authorized Hoshizaki service company.

Code	Problem
E3	Defrost time too long.
E8, E9	Thermistor defective.
EA, ED	Controller board defective.

- 2) If one of the following error codes is displayed, check and correct the condition of the unit according to the following instructions:

Code	Problem and Remedy
E1	Cabinet temperature too high. (1) Door(s) left open. Close. (2) Warm or hot foods inside. Take them out. (3) Ambient temperature too high. Avoid installation near high heat producing equipments or exposure to direct sunlight.
E2	Cabinet temperature too low. (1) Ambient temperature too low. Use in the range from 5°C to 43°C. (2) Frozen foods being defrosted. Error code will disappear when defrosting is completed.
E4, E7	Condenser clogged or ambient temperature too high. (1) Air filter clogged. Clean. (2) Ambient temperature too high. Avoid installation near high heat producing equipments or exposure to direct sunlight.

E1, E2: Automatically resets when a proper cabinet temperature is resumed.

E4, E7: After the above checks and corrections, turn the power supply off and back on again.

If the error code still appears in the temperature display window even after the above checks and corrections, immediately contact an authorized Hoshizaki service company.

2. TROUBLES WITHOUT ERROR CODE INDICATION

- 1) Unit fails to operate:
 - (1) Unplugged.
 - (2) Power failure.
 - (3) Main power supply disconnected.
- 2) Poor cooling performance:
 - (1) Ambient temperature too high (above 43°C).
 - (2) Door(s) opened too often.
 - (3) Cabinet temperature setting too high.
 - (4) Too packed with foods or air inlet/outlet blocked.
 - (5) Air filter not clean.
 - (6) Door(s) left open.
 - (7) Warm or hot foods inside.
 - (8) Unit in defrost process. The cabinet temperature may rise temporarily during defrost cycle but will not affect the foods inside.

ENGLISH

- 3) Condensation around door(s):
(1) Ambient humidity too high.
(2) Door(s) not closed tightly.

IMPORTANT

This refrigerator/freezer is designed to automatically evaporate defrost water in the machine compartment. But depending on use conditions, some defrost water may be left in the evaporating pan and run out of the machine compartment bottom. If dripping onto the floor is not allowed, use a pan or vat to receive the defrost water.

- 4) Noise:
(1) Normal operating sounds from compressor, condenser fan motor or interior fan motor.
(2) Installed on an unsteady floor. Contact an authorized Hoshizaki service company.
(3) Not leveled in the left-to-right or front-to-rear directions. Contact an authorized Hoshizaki service company.
- 5) Frosting inside compartment:
(1) Ambient humidity too high.
(2) Door(s) opened too often.

V. WARRANTY

Hoshizaki warrants to the original owner/user that all Hoshizaki branded products shall be free of defects in material and/or workmanship for the duration of the "warranty period". The warranty shall be effective for one year from the date of installation. Hoshizaki's liability under the terms of the warranty are limited and shall exclude routine servicing, cleaning, essential maintenance and/or repairs occasioned by misuse and installations not in accordance with Hoshizaki guidelines.

Warranty repairs should be completed by an approved Hoshizaki dealer or service agency using genuine Hoshizaki components.

To obtain full details of your warranty and approved service agency, please contact your dealer/supplier, or the nearest Hoshizaki Service office:

Hoshizaki Lancer
TEL: +61 8 8268 1388
FAX: +61 8 8268 1978
info@hoshizaki.com.au
<http://www.hoshizaki.com.au>

To register your product for warranty with Hoshizaki, visit <http://www.hoshizaki.com.au/warranty-registration> or scan the QR code.



VI. DISPOSAL

Comply with local regulations regarding disposal of the appliance for its refrigerant. Before you scrap the appliance, take off the door to prevent children trapped.

WARNING



The insulation foaming agent used for the unit body contains flammable gas cyclopentane. With this in mind, dispose of the refrigerator/freezer properly.