



UNDER COUNTER FREEZER

FT-96MA-A,98MA-A
FT-126MA-A,128MA-A
FT-156MA-A,158MA-A
FT-186MA-A,188MA-A

PARTS LIST

[AUSTRAILA]

T271-C400

T272-C400

T273-C400

T274-C400

T275-C400

T276-C400

T277-C400

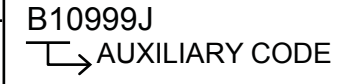
T278-C400

J-0 FEB. 2020

M-1 DEC. 2022

Product Code	Spec
T271-C400,T272-C400,T273-C400,T274-C400, T275-C400,T276-C400,T277-C400,T278-C400	AUSTRALIA

星崎商用冷冻柜	
产品型号	HF-187MA-CI-D
气候类型	G
防溅保护类别	1类
总容积(L)	1710L
冷冻容积有效容积	1710L
额定电压	~220V
额定频率	50Hz
输入总功率	537W
总加热装置	57W
耗电量	19.38kWh/24h
冷冻能力	35kg
制冷剂名称及充入量	R404A/30g
净重	27.3kg
星崎电机(苏州)有限公司 中国·苏州	

B10999J

 AUXILIARY CODE

AUXILIARY CODE

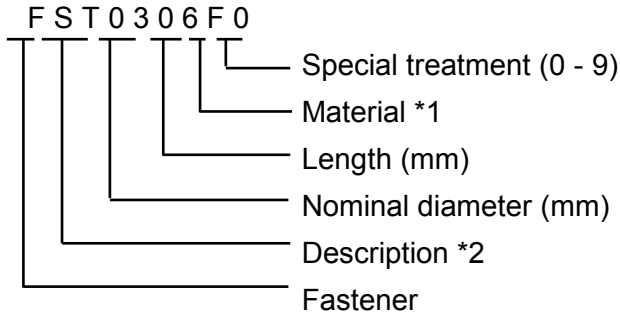
U - 1

The auxiliary code is the first two characters in the serial number. The first character indicates the production year. Years progress or regress in alphabetical order. The series of letters and skipped letters depend on UL listing, production, and model. See the auxiliary code(s) and corresponding year(s) on the front cover.

The second character indicates significant part changes within the same year. Base is "1" and this number advances for each change. If there is no significant part change at the turn of the year, this number starts from "0."

FASTENER PART NUMBER

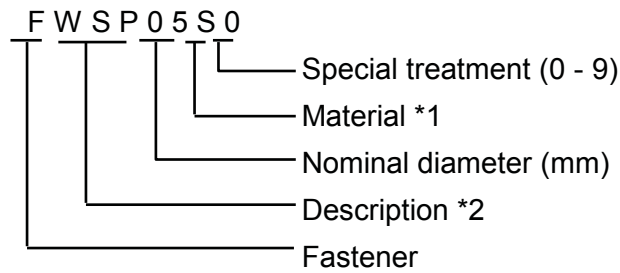
SCREWS



*1 Material

- F: Steel
- S: Austenitic stainless steel
- M: Martensitic stainless steel
- B: Copper alloy
- P: Polycarbonate
- N: Polyamide
- V: PVC
- A: ABS
- X: Polyacetal
- L: Aluminum

NUTS & WASHERS



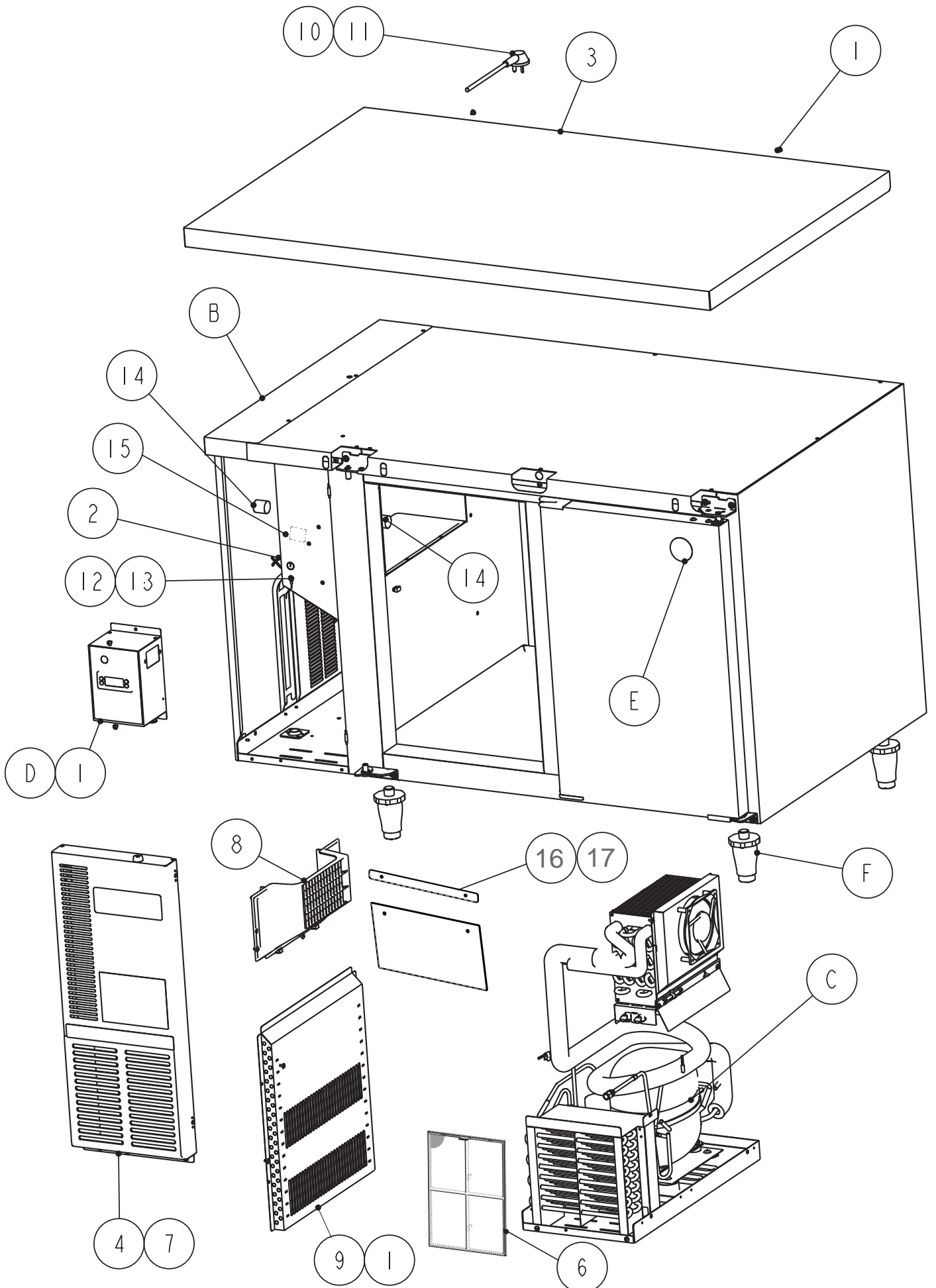
*2 Description

- First letter
- S: Machine screw
- T: Tapping screw
- M: Wood screw
- B: Bolt
- W: Washer
- N: Nut

FT-96MA-A,98MA-A
FT-126MA-A,128MA-A
FT-156MA-A,158MA-A
FT-186MA-A,188MA-A

A. REFRIGERATOR ASSY

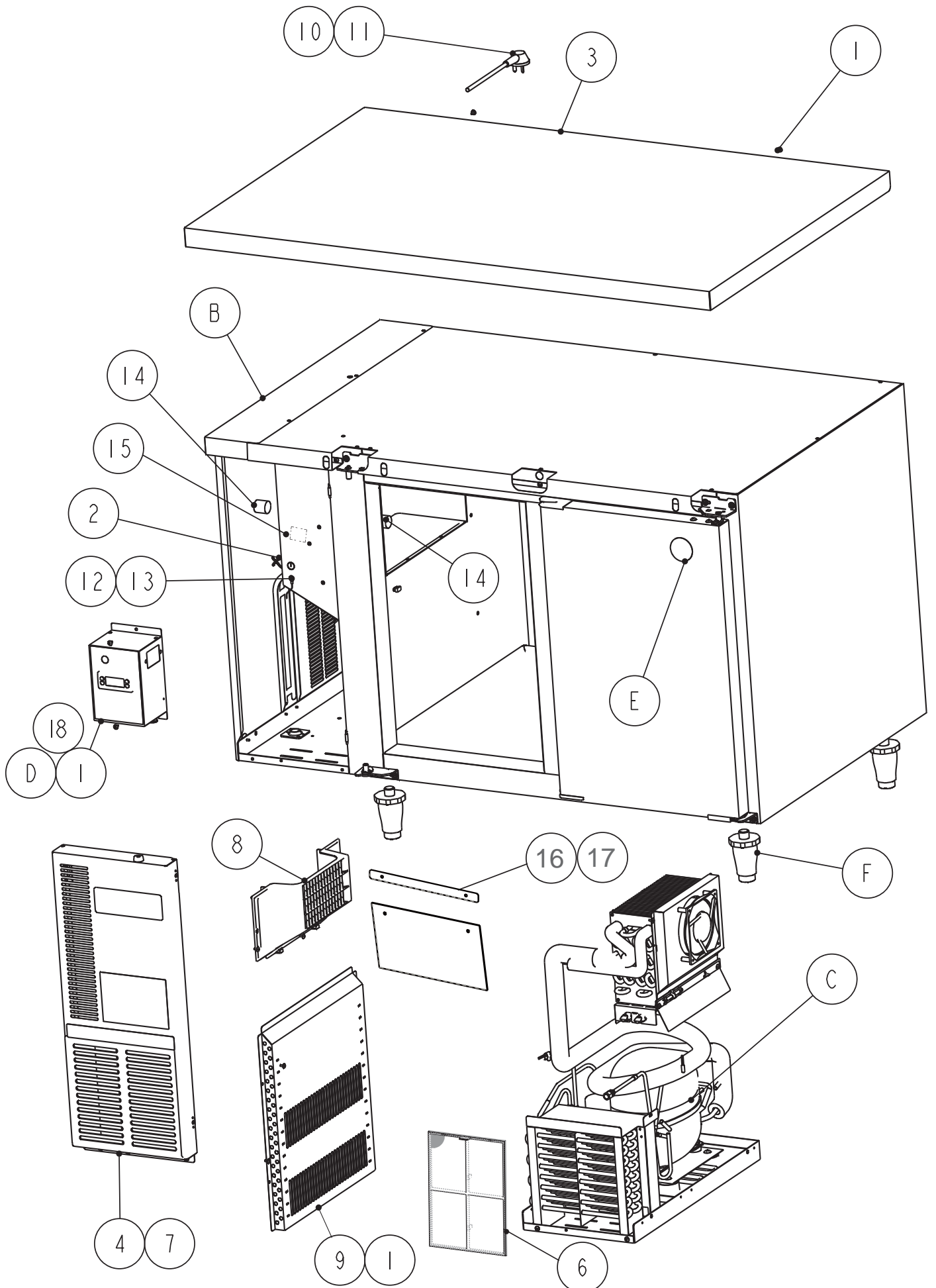
J-0



FT-96MA-A,98MA-A
FT-126MA-A,128MA-A
FT-156MA-A,158MA-A
FT-186MA-A,188MA-A

A. REFRIGERATOR ASSY

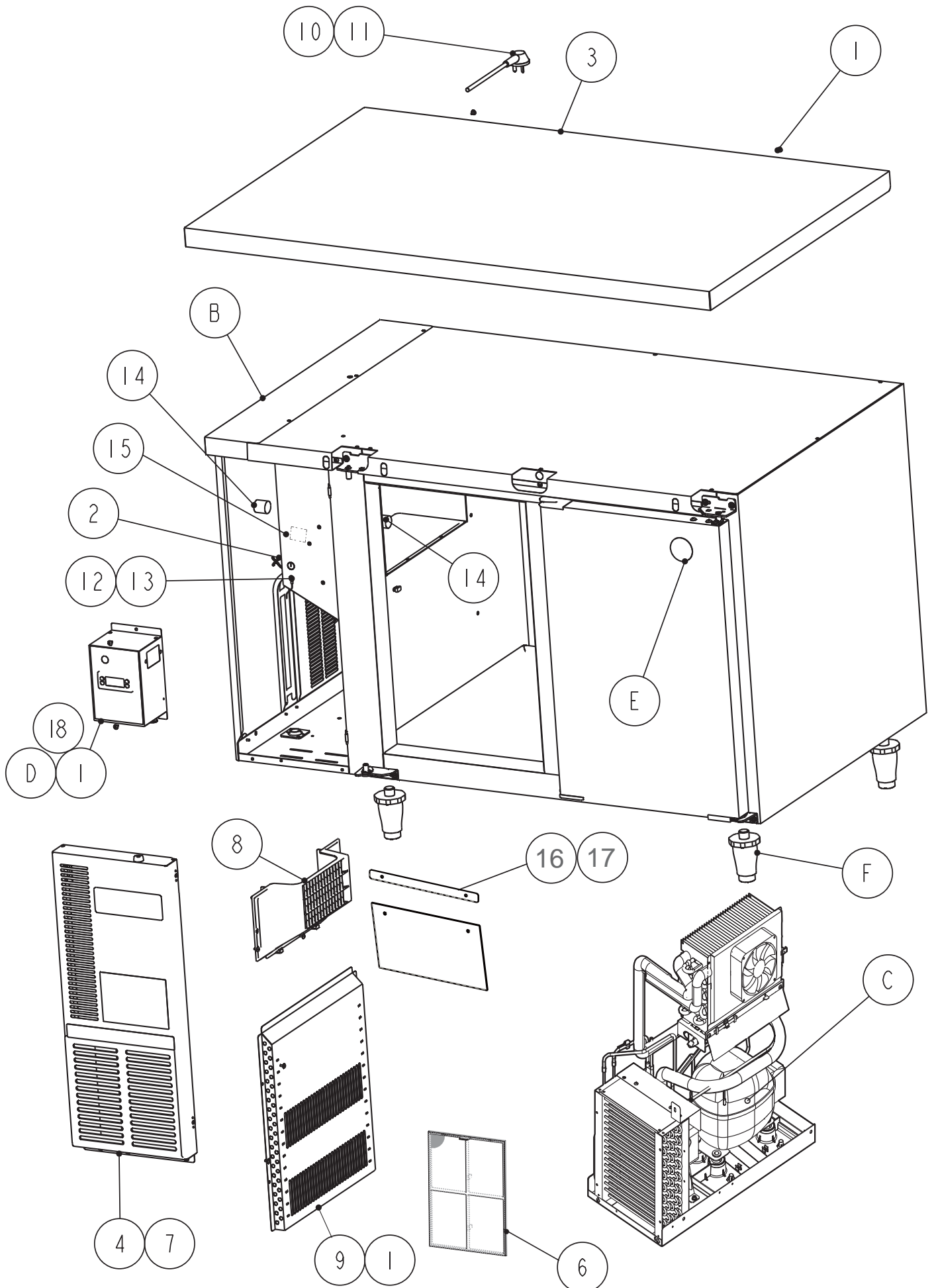
M-0



FT-96MA-A,98MA-A
FT-126MA-A,128MA-A
FT-156MA-A,158MA-A
FT-186MA-A,188MA-A

A. REFRIGERATOR ASSY

(M-1) and later



MODEL: FT-96MA-A,98MA-A
 FT-126MA-A,128MA-A
 FT-156MA-A,158MA-A
 FT-186MA-A,188MA-A

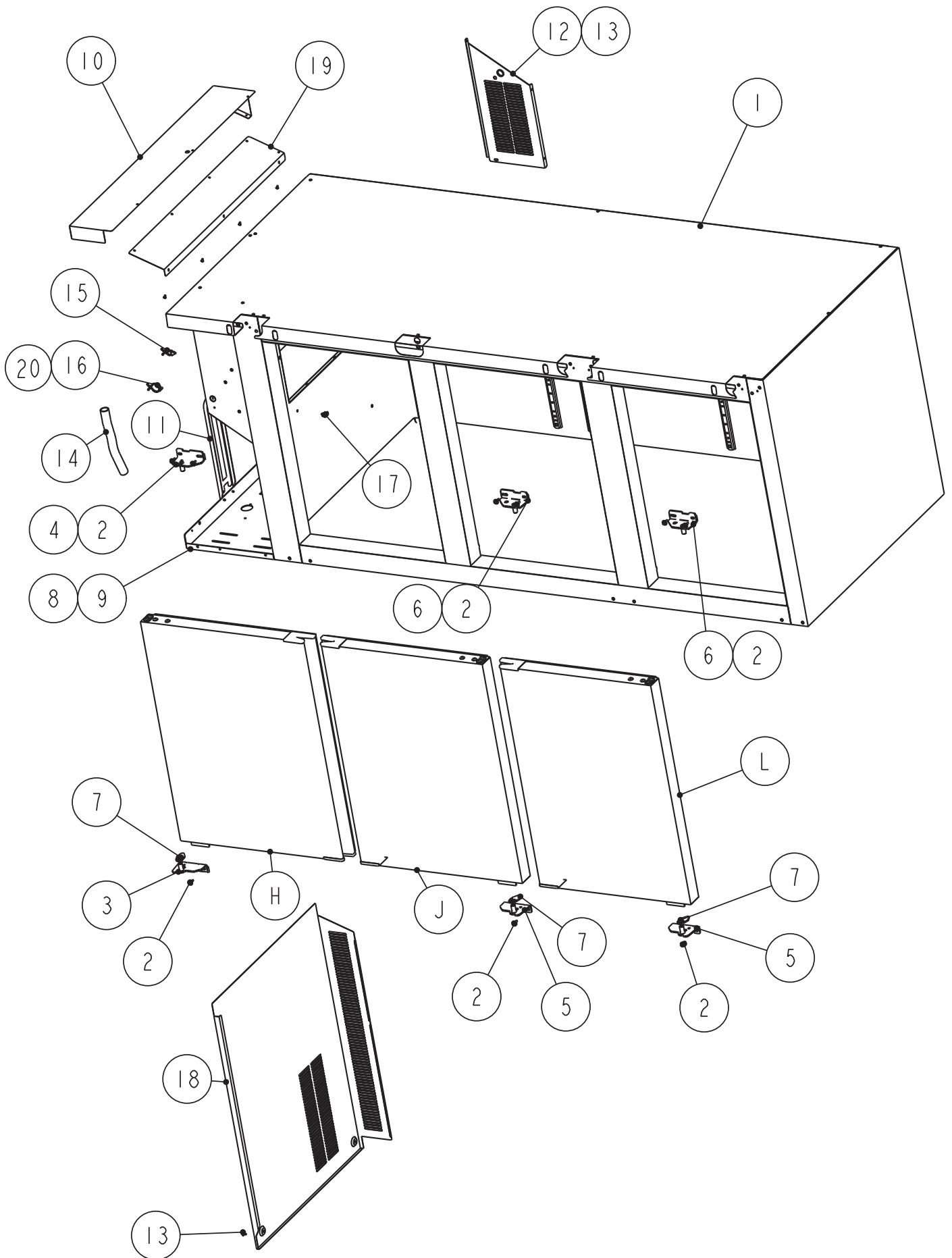
TITLE: **A. REFRIGERATOR ASSY**

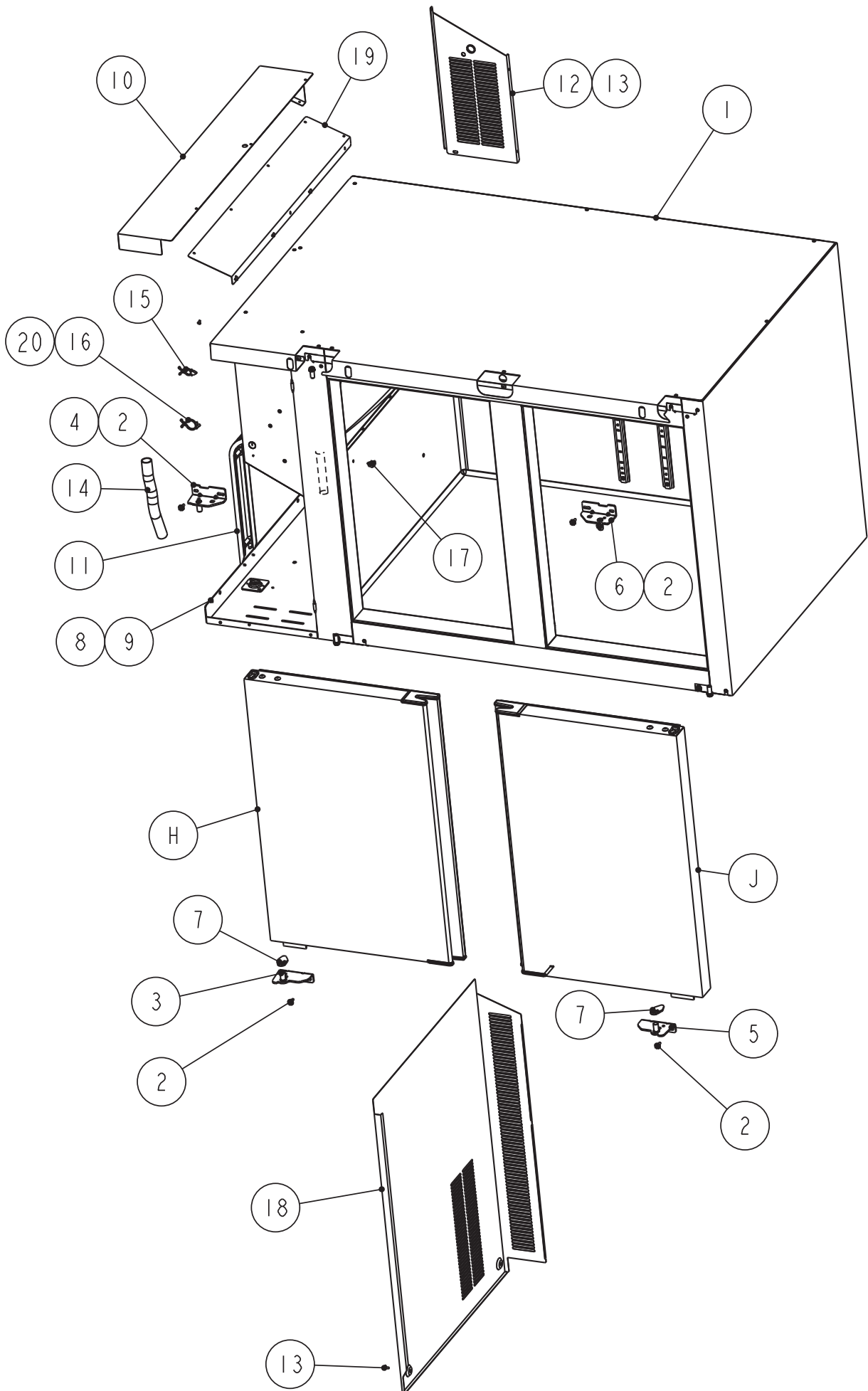
INDEX NO.	DESCRIPTION	MATERIAL OR MODEL NUMBER	PART NUMBER	REQ'D NUMBER			
				J-0 and later			
B	BODY AY	FT-96MA	126873005	1			
		FT-126MA	126874010	1			
		FT-156MA	126875011	1			
		FT-186MA	126876011	1			
		FT-98MA	127042004	1			
		FT-128MA	127043012	1			
		FT-158MA	127044015	1			
		FT-188MA	127045016	1			
C	REFRIGERATION UNIT	FT-96MA,FT-98MA	128200A01	1			
		FT-126MA,FT-128MA					
		FT-156MA					
		FT-158MA	128200A02	1			
		FT-186MA,FT-188MA					
D	CONTROL BOX AY		276842019	1			
E	LABEL LOCATION	FT-96MA	127138367	1			
		FT-126MA	127138369	1			
		FT-156MA	127138370	1			
		FT-186MA	127138371	1			
		FT-98MA	127138372	1			
		FT-128MA	127138373	1			
		FT-158MA	127138374	1			
		FT-188MA	127138375	1			
F	ACCESSORIES	FT-96MA	A03623010	1			
		FT-126MA	A03624021	1			
		FT-156MA	A03625019	1			
		FT-186MA	A03626022	1			
		FT-98MA	A03627014	1			
		FT-128MA	A03628021	1			
		FT-158MA	A03629027	1			
		FT-188MA	A03630025	1			

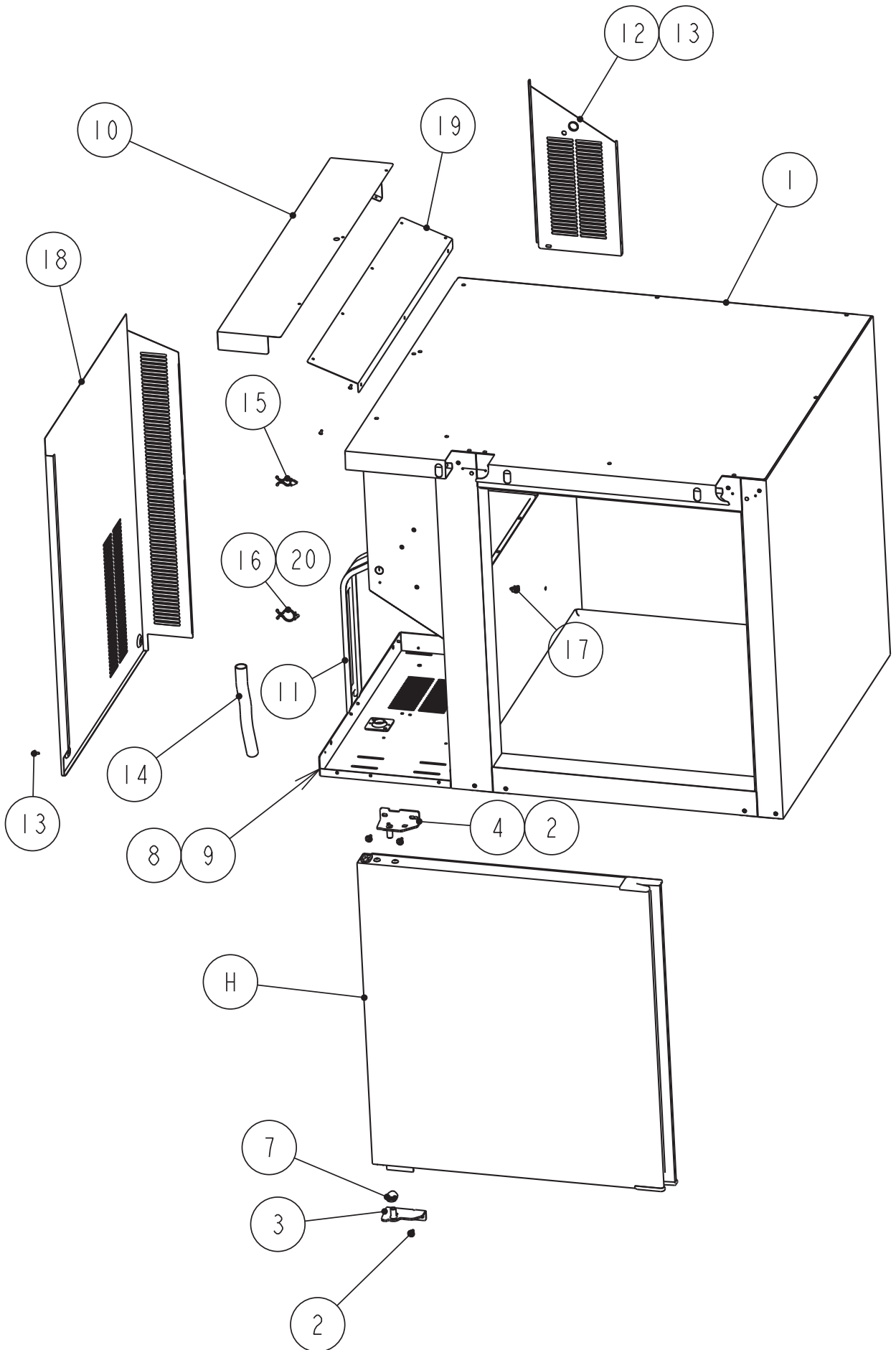
MODEL: FT-96MA-A,98MA-A
 FT-126MA-A,128MA-A
 FT-156MA-A,158MA-A
 FT-186MA-A,188MA-A

TITLE: A. REFRIGERATOR ASSY

INDEX NO.	DESCRIPTION	MATERIAL OR MODEL NUMBER	PART NUMBER	REQ'D NUMBER			
				J-0 and later			
1	T2 TRUSS HEAD SCREW	FT-96MA,FT-98MA	FT20408M0	12			
		FT-126MA,FT-128MA					
		FT-156MA,FT-158MA					
		FT-186MA					
		FT-188MA		14			
2	CLAMP		427902-04	1			
3	TOP PANEL	FT-96MA	2R5662M07	1			
		FT-126MA	2R5662M01	1			
		FT-156MA	2R5662M02	1			
		FT-186MA	2R5662M03	1			
		FT-98MA	2R5662M08	1			
		FT-128MA	2R5662M04	1			
		FT-158MA	2R5662M05	1			
		FT-188MA	2R5662M06	1			
4	FRONT PANEL AY	S-30973	388825A02	1			
6	AIR FILTER		390731G01	1			
7	THUMBSCREW		428833-01	1			
8	DUCT A		1R2770P01	1			
9	DUCT B		3S3562G02	1			
10	POWER SUPPLY CORD - ASSY	S-23216	3S2664G01	1			
11	BUSHING		448949-01	1			
12	SPRING WASHER		FWSP04S0	3			
13	TRUSS HEAD SCREW		FST0408S0	3			
14	INSULATION		4R5835Z01	2			
15	CAPACITOR		P00228-01	1			
16	SHEET - UNIT	FT-188MA	4R6240P02	1			
17	BRACKET - SHEET	FT-188MA	4R6935M01	1			
18	COVER - CONTROL BOX		4C0293P01	1			







MODEL: FT-96MA-A,98MA-A
 FT-126MA-A,128MA-A
 FT-156MA-A,158MA-A
 FT-186MA-A,188MA-A

TITLE: B.BODY AY

INDEX NO.	DESCRIPTION	MATERIAL OR MODEL NUMBER	PART NUMBER	REQ'D NUMBER			
				J-0 and later			
H	DOOR L,AY	FT-96MA,98MA	276593A01 (S-30860)	1			
		FT-126MA,128MA	274431A04 (S-30203)				
		FT-156MA,158MA	274432A01 (S-30205)				
		FT-186MA,188MA	274431A02 (S-30207)				
J	DOOR R,AY	FT-126MA,128MA	274432A04 (S-30204)	1			
		FT-156MA,158MA	274431A01 (S-30206)				
		FT-186MA,188MA	274432A02 (S-30208)				
L	DOOR R,AY	FT-186MA,188MA	274432A03 (S-30210)	1			
1	BODY	FT-96MA	1R2891038	1			
		FT-98MA	1R2894045				
		FT-126MA	1R2891040				
		FT-128MA	1R2894047				
		FT-156MA	1R2892031				
		FT-158MA	1R2895042				
		FT-186MA	1R2893030				
		FT-188MA	1R2896040				
2	FLANGE BOLT (S-TITE)	FT-96MA,98MA	445994-03	8			
		FT-126MA,FT-128MA					
		FT-156MA,158MA		12			
		FT-186MA,188MA					
3	DOOR HINGE (L) , LO		375319G01	1			
4	DOOR HINGE (L) , UP		375318G01	1			
5	DOOR HINGE (R) , LO	FT-126MA,FT-128MA	375316G01	1			
		FT-156MA,158MA					
		FT-186MA,188MA		2			
6	DOOR HINGE (R) , UP	FT-126MA,FT-128MA	375315G01	1			
		FT-156MA,158MA					
		FT-186MA,188MA		2			

MODEL: **FT-96MA-A,98MA-A**
FT-126MA-A,128MA-A
FT-156MA-A,158MA-A
FT-186MA-A,188MA-A

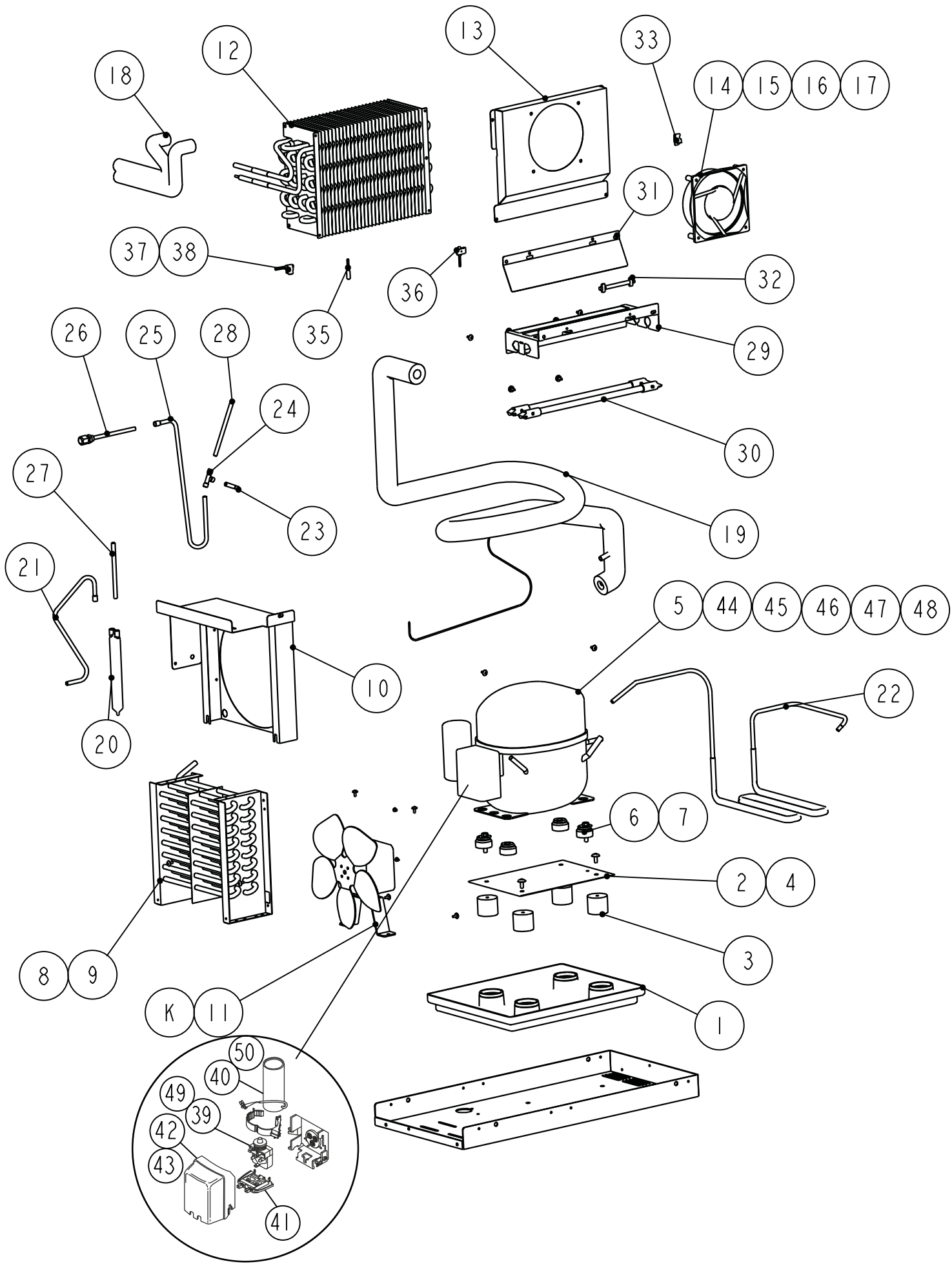
TITLE: **B.BODY AY**

INDEX NO.	DESCRIPTION	MATERIAL OR MODEL NUMBER	PART NUMBER	REQ'D NUMBER			
				J-0 and later			
7	HINGE COLLAR - HINGE	FT-96MA,98MA	339948-01	1			
		FT-126MA,FT-128MA		2			
		FT-156MA,158MA					
		FT-186MA,188MA		3			
8	BASE	FT-96MA,98MA	389444G02	1			
		FT-126MA,FT-128MA	277850M05	1			
		FT-156MA,158MA					
		FT-186MA,188MA					
9	FLANGE BOLT (S-TITE)		FTQ0512F0	2			
10	BRACKET - TOP PANEL	FT-96MA,FT-126MA	2R5585M01	1			
		FT-156MA,FT-186MA					
		FT-98MA,FT-128MA	2R5585M02	1			
		FT-158MA,FT-188MA					
11	FRAME - UNIT		3S2838M01	1			
12	LOUVER - UNIT		389439M01	1			
13	T2 TRUSS HEAD SCREW		FT20408M0	6			
14	PVC Hose		HA1821200	1			
15	WIRE RETAINER		427902-03	4			
16	CLAMP		427902-02	1			
17	CLAMP		463936-01	1			
18	SIDE PANEL - UNIT		2R5741M02	1			
19	BRACKET B - TOP PANEL	FT-96MA,FT-126MA	2R5881M01	1			
		FT-156MA,FT-186MA					
		FT-98MA,FT-128MA	2R5881M02	1			
		FT-158MA,FT-188MA					
20	CABLESTRAP 1764		430361-02	1			

FT-96MA-A,98MA-A
FT-126MA-A,128MA-A
FT-156MA-A,158MA-A
FT-186MA-A,188MA-A

C. REFRIGERATION UNIT

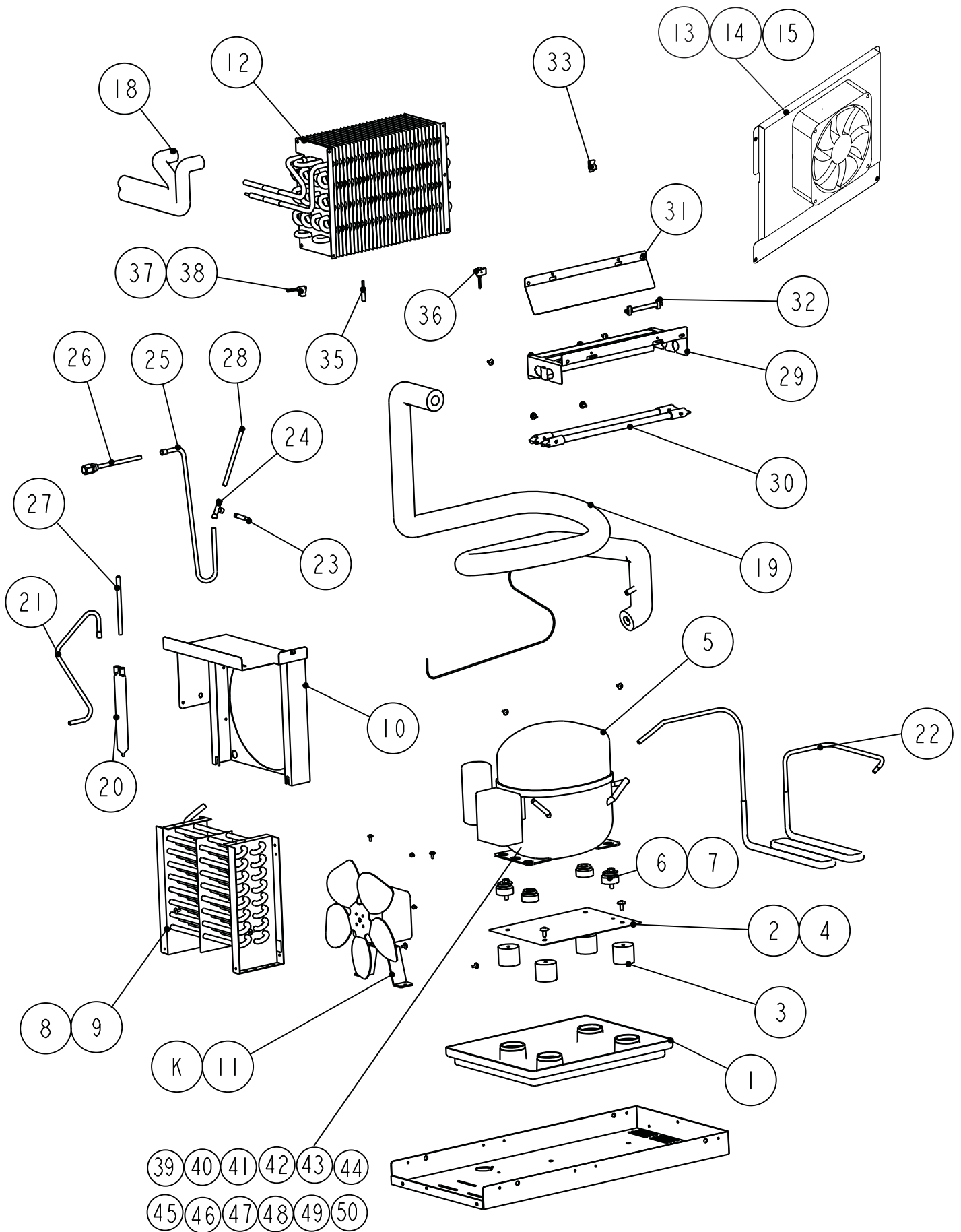
(J-0) to (M-0)



FT-96MA-A,98MA-A
FT-126MA-A,128MA-A
FT-156MA-A,158MA-A
FT-186MA-A,188MA-A

C. REFRIGERATION UNIT

(M-1) and later



MODEL: FT-96MA-A,98MA-A
 FT-126MA-A,128MA-A
 FT-156MA-A,158MA-A
 FT-186MA-A,188MA-A

TITLE : C. REFRIGERATION UNIT

INDEX NO.	DESCRIPTION	MATERIAL OR MODEL NUMBER	PART MUMBE	REQ'D NUMBER			
				J-0 M-0	M-1 and later		
K	FAN MOTOR AY	128200A01	3S0697A06	1	1		
		128200A02	3S0697A07	1	1		
1	DRAIN PAN		389438P01	1	1		
2	BASE - COMP		485258M01	1	1		
3	BASE - DRAIN PAN		485259M01	4	4		
4	TRUSS HEAD MACHINE SCREW		FST0612S0	6	6		
5	COMPRESSOR	128200A01	P05068-01	1	1		
		128200A02	P05212-01	1	1		
6	GROMMET	128200A01	450897-01	4	4		
		128200A02	P02608-01	4	4		
7	BOLT		468180-01	2	2		
8	CONDENSER		P02101-01	1	1		
9	T2 TRUSS HEAD SCREW		FT20408M0	7	7		
10	SHROUD		3S3339G01	1	1		
11	HEX HEAD BOLT (SPRING WASHER AND FLAT WASHER)		FBK0510S0	2	2		
12	EVAPORATOR		P02103-02	1	1		
13	EVAP COVER		278827M02	0	1		
14	FAN MOTOR		C05934-01	0	1		
15	T2 TRUSS HEAD SCREW		FT20512S0	0	4		
18	INSULATION TUBE		H71323260	2	2		
19	HEAT EXCHANGER	128200A01	278994G01	1	1		
		128200A02	27994G02	1	1		
20	DRIER		458774-01	1	1		
21	PIPE A		486018M01	1	1		
22	PIPE-DISCHARGE		390496G01	1	1		
23	PIPE - PROCESS		485812M01	1	1		
24	TEE - 6.4		417394-01	1	1		
25	PIPE-LO		390507M01	1	1		
26	ACCESS VALVE		457729-01	1	1		
27	PIPE A		4H1294-03	1	1		
28	PIPE A		4H1294-01	1	1		
29	COVER-HEATER		2R6082M01	1	1		

MODEL: FT-96MA-A,98MA-A
 FT-126MA-A,128MA-A
 FT-156MA-A,158MA-A
 FT-186MA-A,188MA-A

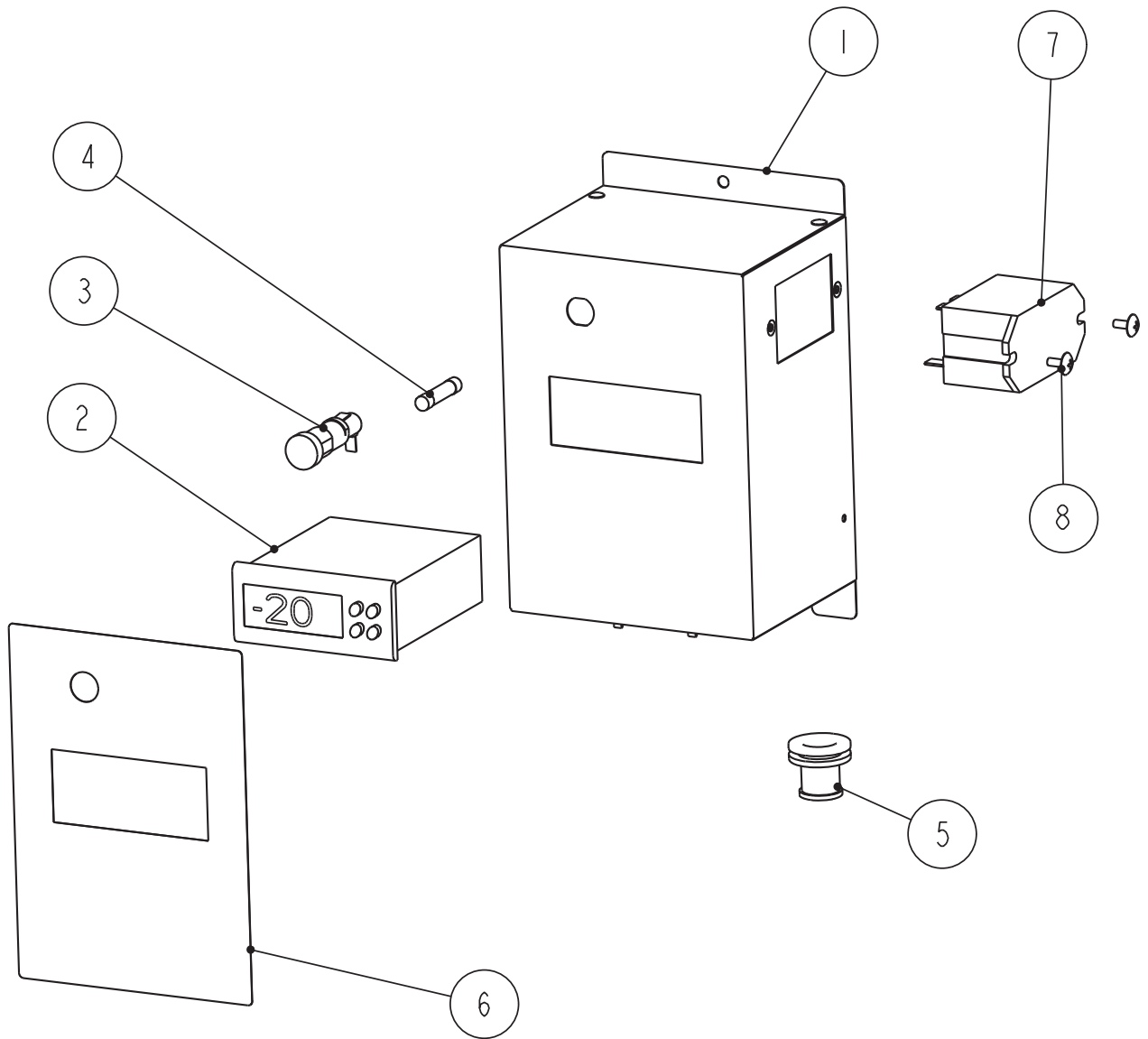
TITLE: C. REFRIGERATION UNIT

INDEX NO.	DESCRIPTION	MATERIAL OR MODEL NUMBER	PART NUMBER	REQ'D NUMBER			
				J-0 M-0	M-1 and later		
30	HEATER-GLASS TUBE		C06417-01	2	2		
31	HEATER BRACKET		3S3049M01	1	1		
32	FUSE		P01103-01	1	1		
33	CLIP-FUSE		4R2937-01	2	2		
35	TERMISTOR	WHITE	P04878-01	1	1		
36	TERMISTOR	BLACK	P04878-02	1	1		
37	TERMISTOR	GREY	P04878-03	1	1		
38	CLIP-THERMISTOR		4R2938-01	1	1		
39	STARTING RELAY		453581-01	1	1		
40	STARTING CAPACITOR		450898-01	1	1		
41	CORD RELIEF	FT-96MA,FT-98MA-S	450899-01	1	1		
42	COVER	FT-126MA,FT-128MA-S	450896-01	1	1		
43	COVER	FT-156MA-S	P05212F04	1	1		
44	METRIC SCREW		P00840-01	1	1		
45	SELF-TAPPING SCREW 4×11		P02615-01	1	1		
46	SELF-TAPPING SCREW 4×21		P02616-01	1	1		
47	PROTECTOR	FT-158MA,FT-186MA-S	P05212F02	1	1		
48	PROTECTOR BRACKET	FT-188MA-S	P02815-01	1	1		
49	RELAY		P05212F03	1	1		
50	START CAPACITOR		P05212F01	1	1		

FT-96MA-A,98MA-A
FT-126MA-A,128MA-A
FT-156MA-A,158MA-A
FT-186MA-A,188MA-A

D. CONTROL BOX AY

(J-0) and later



MODEL: **FT-96MA-A,98MA-A**
FT-126MA-A,128MA-A
FT-156MA-A,158MA-A
FT-186MA-A,188MA-A

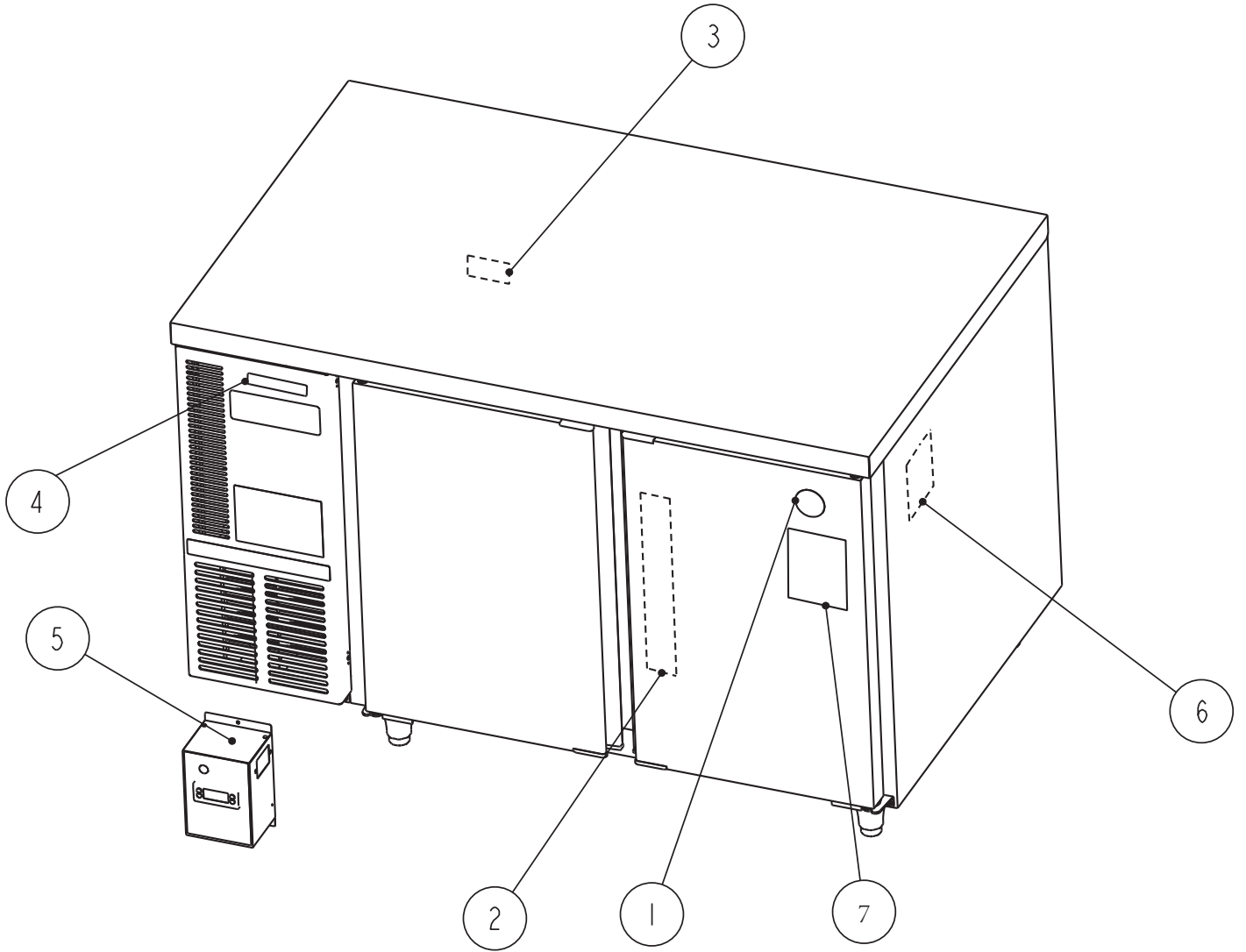
TITLE: **D. CONTROL BOX AY**

INDEX NO.	DESCRIPTION	MATERIAL OR MODEL NUMBER	PART NUMBER	REQ'D NUMBER			
				J-0 and later			
1	CONTROL BOX		3S2974G02	1			
2	CONTROLLER		P04865-02	1			
3	FUSE HOLDER		P00084-01	1			
4	FUSE		P01432-01	1			
5	GROMMET		4H2568-02	2			
6	CONTROL LABEL		390620L01	1			
7	POWER RELAY		P00034-01	1			
8	T2 TRUSS HEAD SCREW		FT20408M0	2			

FT-96MA-A,98MA-A
FT-126MA-A,128MA-A
FT-156MA-A,158MA-A
FT-186MA-A,188MA-A

E. LABEL LOCATION

(J-0) and later



MODEL: FT-96MA-A,98MA-A
 FT-126MA-A,128MA-A
 FT-156MA-A,158MA-A
 FT-186MA-A,188MA-A

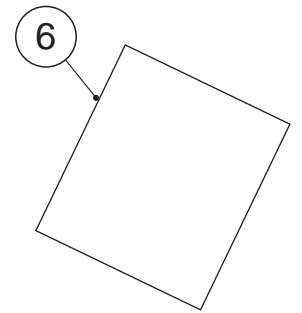
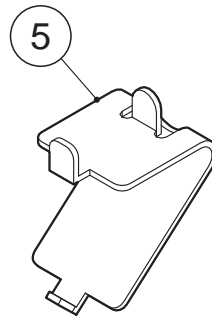
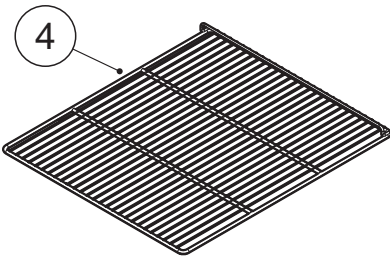
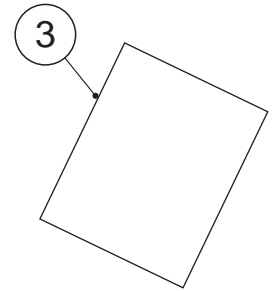
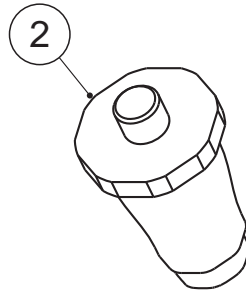
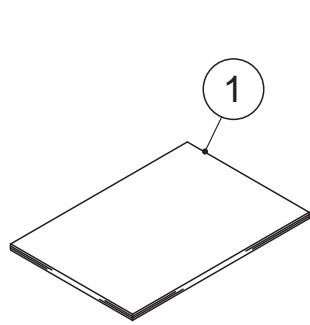
TITLE: E. LABEL LOCATION

INDEX NO.	DESCRIPTION	MATERIAL OR MODEL NUMBER	PART NUMBER	REQ'D NUMBER			
				J-0 and later			
1	CHARACTER LABEL - PENGUIN		475552L01	1			
2	INSTRUCTION LABEL		375667L01	1			
3	PL LABEL-ELECTRIC SHOCK		474438L01	1			
4	LABEL-FREEZER		447056-01	1			
5	WIRING LABEL	FT-96MA,FT-98MA	390120L01	1			
		FT-126MA,FT-156MA, FT-128MA	390121L01	1			
		FT-186MA,FT-158MA, FT-188MA	390122L01	1			
6	NAME PLATE	FT-96MA	280102L09	1			
		FT-126MA	280102L10	1			
		FT-156MA	280102L11	1			
		FT-186MA	280102L12	1			
		FT-98MA	280102L13	1			
		FT-128MA	280102L14	1			
		FT-158MA	280102L15	1			
		FT-188MA	280102L16	1			
7	LABEL - HACCP		476519L01	1			

FT-96MA-A,98MA-A
FT-126MA-A,128MA-A
FT-156MA-A,158MA-A
FT-186MA-A,188MA-A

F. ACCESSORIES

(J-0) and later



MODEL: FT-96MA-A,98MA-A
 FT-126MA-A,128MA-A
 FT-156MA-A,158MA-A
 FT-186MA-A,188MA-A

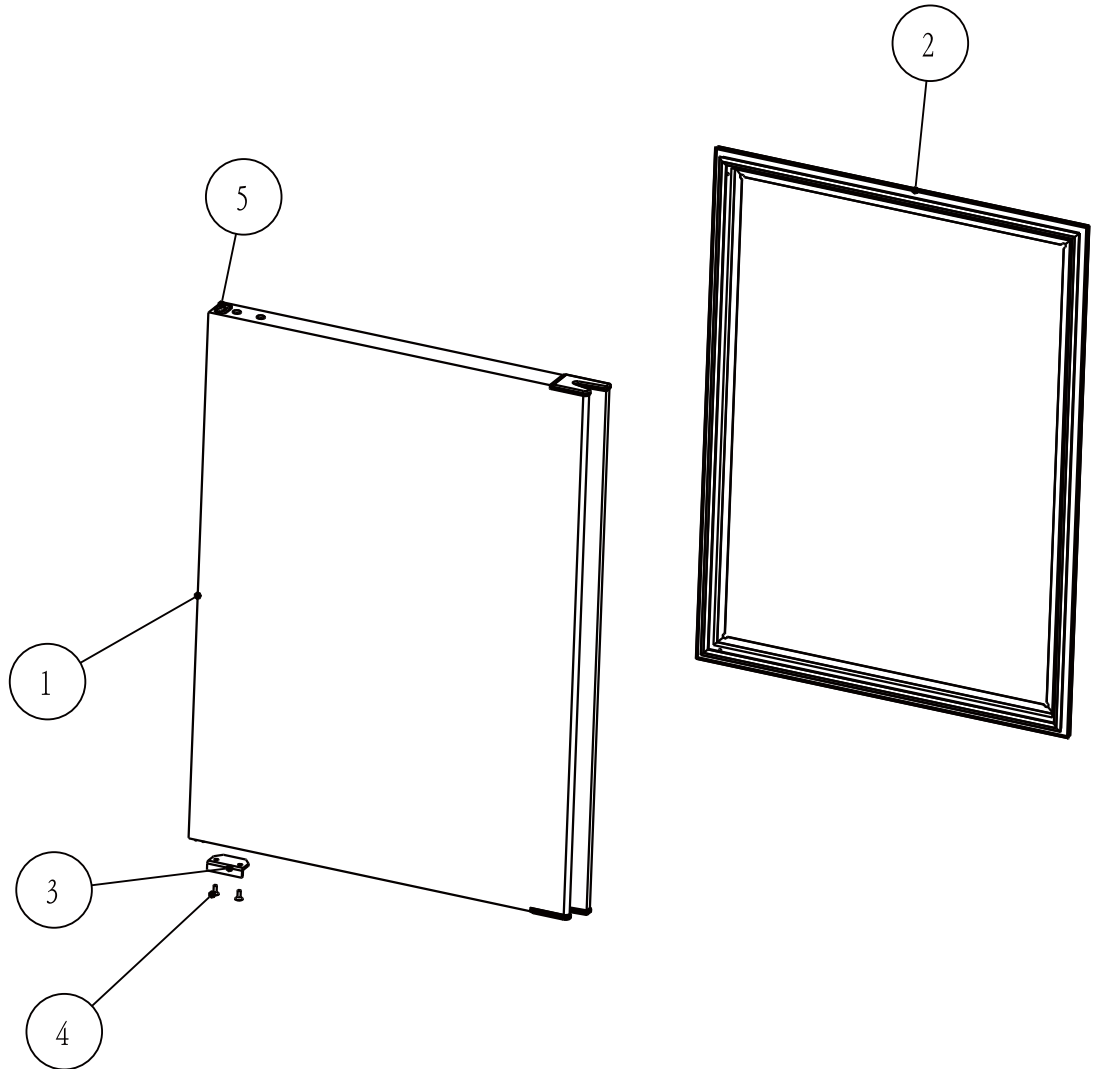
TITLE: F. ACCESSORIES

INDEX NO.	DESCRIPTION	MATERIAL OR MODEL NUMBER	PART NUMBER	REQ'D NUMBER			
				J-0 and later			
1	INSTRUCTION MANUAL		L1T263111	1			
2	LEG	FT-96MA,FT-98MA	P05012-01	5			
		FT-126MA,FT-128MA		4			
		FT-156MA,FT-158MA					
		FT-186MA,FT-188MA					
3	PE STANDARD BAG		7V90-0012	1			
4	SHELF	FT-96MA,FT-186MA	3S3016G04	2			
		FT-126MA	3S3016G01	4			
		FT-156MA	3S3016G02	4			
		FT-186MA	3S3016G03	4			
		FT-98MA,FT-188MA	3S3016G08	2			
		FT-128MA	3S3016G05	4			
		FT-158MA	3S3016G06	4			
		FT-188MA	3S3016G07	4			
5	CLIP-SHELF	FT-96MA	428957-01	8			
		FT-126MA,FT-128MA		16			
		FT-156MA,FT-158MA					
		FT-186MA,FT-188MA			24		
6	POLYETHYLENE BAG (300*450)		7V90-0015	1			

FT-96MA-A,98MA-A
FT-126MA-A,128MA-A
FT-156MA-A,158MA-A
FT-186MA-A,188MA-SA

H. DOOR L,AY

(J-0) and later



MODEL: **FT-96MA-A,98MA-A**
FT-126MA-A,128MA-A
FT-156MA-A,158MA-A
FT-186MA-A,188MA-A

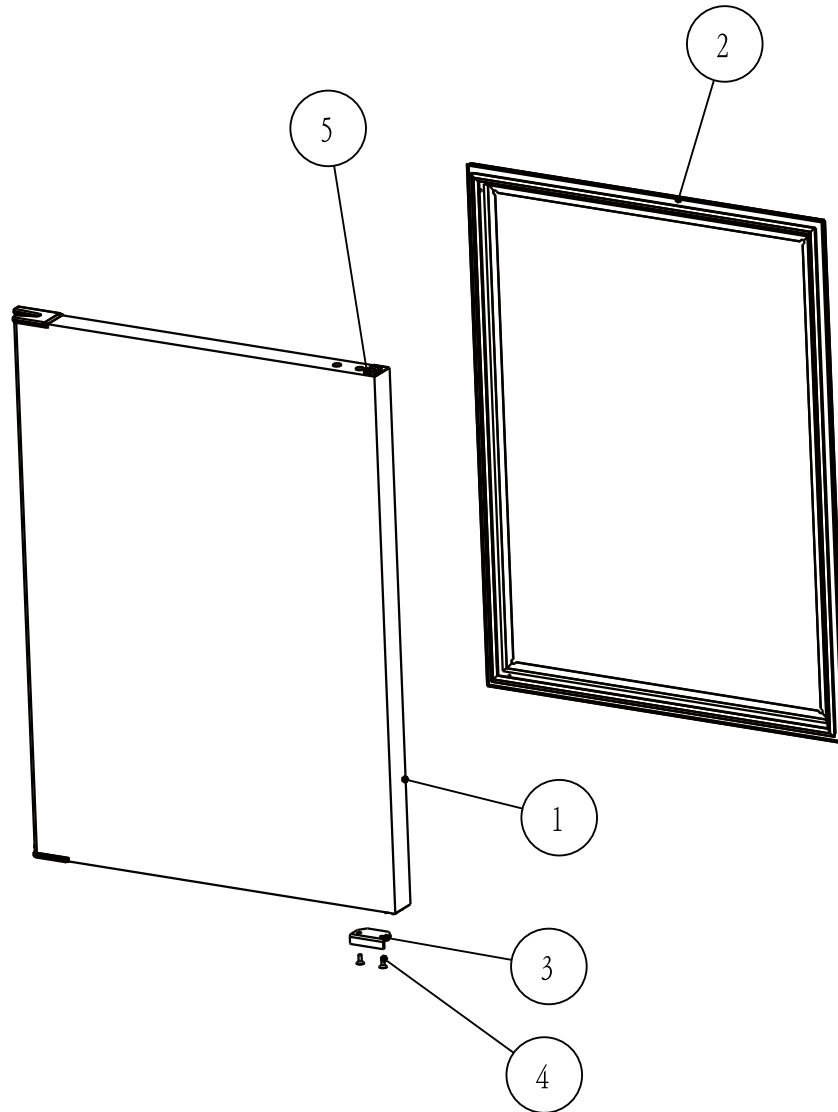
TITLE: **H. DOOR L,AY**
(S-30860,S-30203,S-30205,S-30207)

INDEX NO.	DESCRIPTION	MATERIAL OR MODEL NUMBER	PART NUMBER	REQ'D NUMBER			
				J-0 and later			
1	DOOR - INSULATION	FT-96MA,98MA	276595G01	1			
		FT-126MA,128MA	274094G04	1			
		FT-156MA,158MA	274094G01	1			
		FT-186MA,188MA	274094G02	1			
2	DOOR GASKET	FT-96MA,98MA	2R5297G04	1			
		FT-126MA,128MA	2R5297G01	1			
		FT-156MA,158MA	2R5297G04	1			
		FT-186MA,188MA	2R5297G03	1			
3	DOOR STOPPER		454210-01	1			
4	FLAT HEAD TAPPING SCREW (S-TITE)		FTF0512M0	2			
5	TRUSS HEAD SCREW		FST0508S0	2			

FT-126MA-A,128MA-A
FT-156MA-A,158MA-A
FT-186MA-A,188MA-A

J. DOOR R,AY

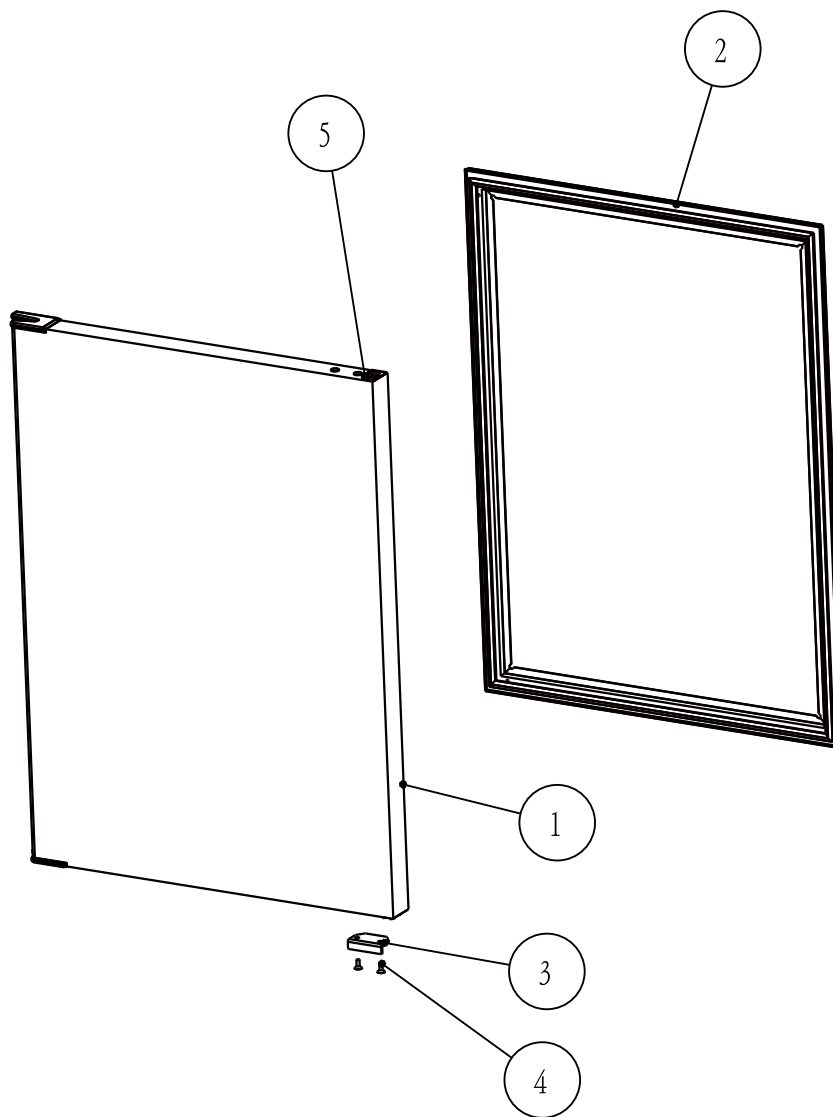
(J-0) and later



MODEL: FT-126MA-A,128MA-A
 FT-156MA-A,158MA-A
 FT-186MA-A,188MA-A

TITLE: J. DOOR R,AY
 (S-30204,S-30206,S-30208)

INDEX NO.	DESCRIPTION	MATERIAL OR MODEL NUMBER	PART NUMBER	REQ'D NUMBER			
				J-0 and later			
1	DOOR - INSULATION	RT-126MA,128MA	274094G04	1			
		RT-156MA,158MA	274094G01	1			
		RT-186MA,188MA	274094G02	1			
2	DOOR GASKET	RT-126MA,128MA	2R5297G01	1			
		RT-156MA,158MA	2R5297G04	1			
		RT-186MA,188MA	2R5297G03	1			
3	DOOR STOPPER		454210-01	1			
4	FLAT HEAD TAPPING SCREW (S-TITE)		FTF0512M0	2			
5	TRUSS HEAD SCREW		FST0508S0	2			



MODEL: **FT-186MA-A,188MA-A**

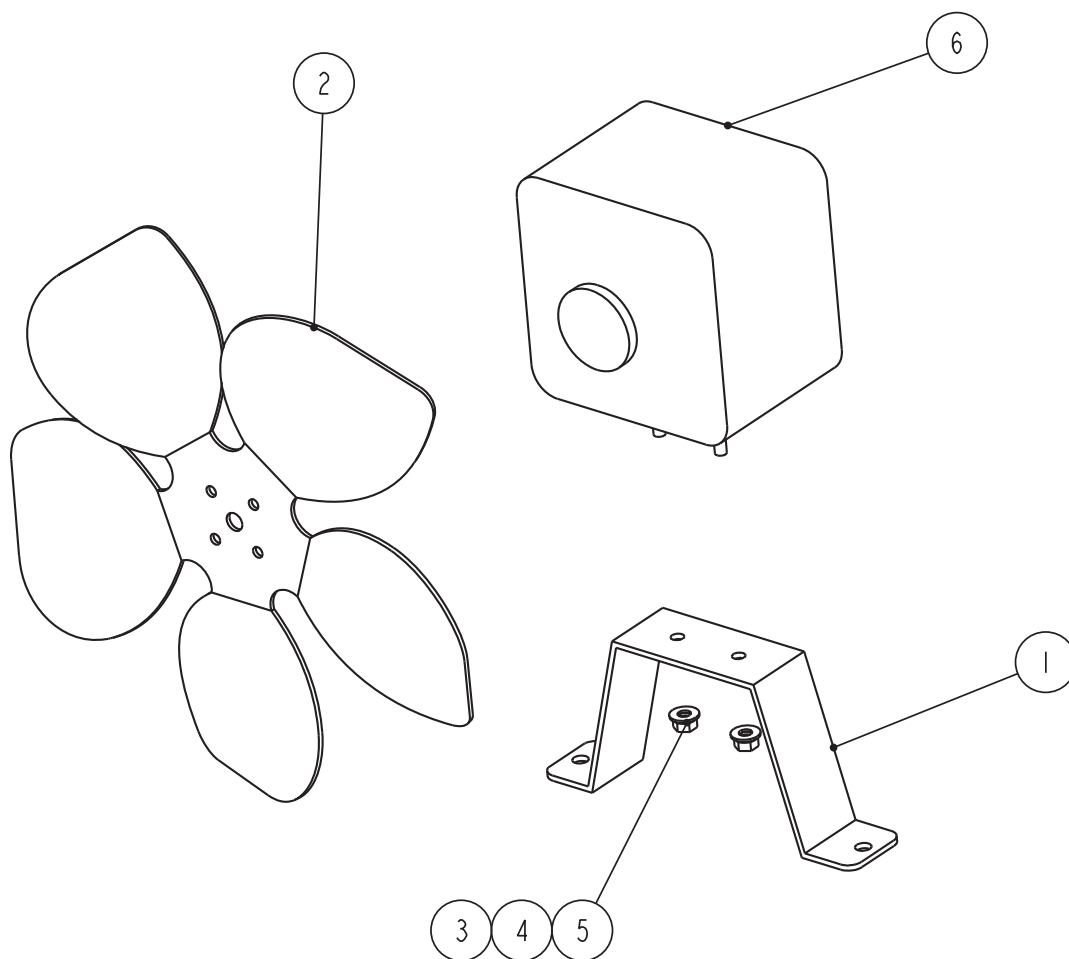
TITLE: **L. DOOR R,AY**
(S-30210)

INDEX NO.	DESCRIPTION	MATERIAL OR MODEL NUMBER	PART NUMBER	REQ'D NUMBER			
				J-0 and later			
1	DOOR - INSULATION	RT-186MA,188MA	274094G03	1			
2	DOOR GASKET	RT-186MA,188MA	2R5297G02	1			
3	DOOR STOPPER		454210-01	1			
4	FLAT HEAD TAPPING SCREW (S-TITE)		FTF0512M0	2			
5	TRUSS HEAD SCREW		FST0508S0	2			

FT-96MA-A,98MA-A
FT-126MA-A,128MA-A
FT-156MA-A,158MA-A
FT-186MA-A,188MA-A

K. FAN MOTOR AY

(J-0) and later



MODEL: **FT-96MA-A,98MA-A**
FT-126MA-A,128MA-A
FT-156MA-A,158MA-A
FT-186MA-A,188MA-A

TITLE:**K. FAN MOTOR AY**

INDEX NO.	DESCRIPTION	MATERIAL OR MODEL NUMBER	PART NUMBER	REQ'D NUMBER			
				J-0 and later			
1	BRACKET - FM		486015M01	1			
2	FAN BLADE	3S0697A05	P00006-01	1			
		3S0697A06	P00029-01	1			
3	FLAT WASHER		FWPL04S0	2			
4	SPRING WASHER		FWSP04S0	2			
5	NUT		FNH104S0	2			
6	FAN MOTOR	3S0697A05	4R5617G02	1			
		3S0697A06	4R5617G03	1			