



Catalogue
FOOD SERVICE
Chapter
COOKING

Specific model
M-G915 BM NG 230V 1N 50Hz

19075830

11/11/2021

DENOMINATION:

Indirect heating boiling pans with bain marie system, NG gas 50 Hz, 150 L capacity, 900 range.

DESCRIPTION :

- Surface tops manufactured in 2 mm thick AISI-304 stainless steel.
- Laser-cut joints, automatic welding and polishes. Screws hidden from view.
- Double walled lid balanced by means of a hinge with front handle, with diagonal opening to 75° which allows the lid to be kept open in any position.
- Well stamped into the surface top by robotic welding, manufactured in AISI-304 stainless steel, with the bottom of the well in AISI-316L stainless steel.
- Well filling with hot or cold water by electrovalve, activated with a single switch located on the front panel.
- Well emptying by 2" safety valve with handle in athermic material and safe and effortless handling.
- Robust and reliable filter for draining the well manufactured in AISI-304 stainless steel. Easily extractable.
- Controls with protective base and system against water infiltration.
- High temperature enamelled cast iron flue protector.
- Access to the components from the front.
- Machines with IPX5 grade water protection."
- "- Group of optimised combustion stainless steel tubular burners, controlled by energy regulator and by pressure switch.
- Control by energy regulator and by pressure switch, permitting lower water and energy consumption.
- Ignition of group of burners by spark train. "
- "- Bain marie chamber around the well, with automatic filling system when the machine is connected.
- Automatic chamber level control with quadruple security: pressure switch to control the pressure in the chamber, overpressure security valve, thermostat to limit overheating in the chamber and pressure gauge incorporated into the surface top.
- Automatic flushing of the chamber.
- Heating at the bottom of the pan acts on the water in the surrounding chamber, meaning that the saturated steam generated at a temperature of 107 °C heats the bottom and sides of the well in a uniform manner. The temperature reached is lower than that obtained with direct heating.
- Stamped pan floor to avoid deformations.
- Indicator light to show when the machine is connected and when it is heating. "

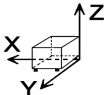
POSSIBLE OPTIONS :

- 230 1N- Transformation A 230 V single phase
- 230 III - A 230 V three-phase transformation without neutral
- Marine Transformation for boat - Tilting and boiling pans

POSSIBLE ACCESSORIES :

- ACCESSORIES FOR 900 SERIES
- STANDS 900
- REFRIGERATED STANDS
- ACCESSORIES KORE
- ACCESSORIES BOILING PANS KORE
- KORE WHEELS

DIMENSIONS



| | | | |
|------------|----------|----------------|----------|
| X Width | 800 mm | X Gross width | 840 mm |
| Y Depth | 930 mm | Y Gross depth | 1022 mm |
| Z Height | 850 mm | Z Gross height | 1255 mm |
| Net Weight | 120,0 kg | Gross Weight | 150,0 kg |
| Net volume | 0,630 m3 | Gross volume | 1,077 m3 |

ELECTRICITY TECHNICAL SPECIFICATIONS

| | |
|--------------------|-----------|
| Electric power | 0,100 kW |
| Amperage (A) | 2A |
| Voltage | 230V - 1N |
| Electric frequency | 50Hz |

GAS TECHNICAL SPECIFICATIONS

| | |
|-----------------|--------------------------------|
| Gas type | NG |
| Gas power | 24,00 kW |
| Gas consumption | 2,500 m3/h |
| Regulated | NG G20/G25/G25.1 20/25/25 mbar |

WATER TECHNICAL SPECIFICATIONS

| | |
|----------|-------------------------|
| Pressure | H2O: 200-400kPa(2-4bar) |
|----------|-------------------------|

CONNECTIONS TECHNICAL SPECIFICATIONS

| | |
|----------------------|-------|
| Gas diameter 1 | R3/4" |
| Water inlet diameter | 3/4" |





Catalogue
FOOD SERVICE

Capítulo
COOKING

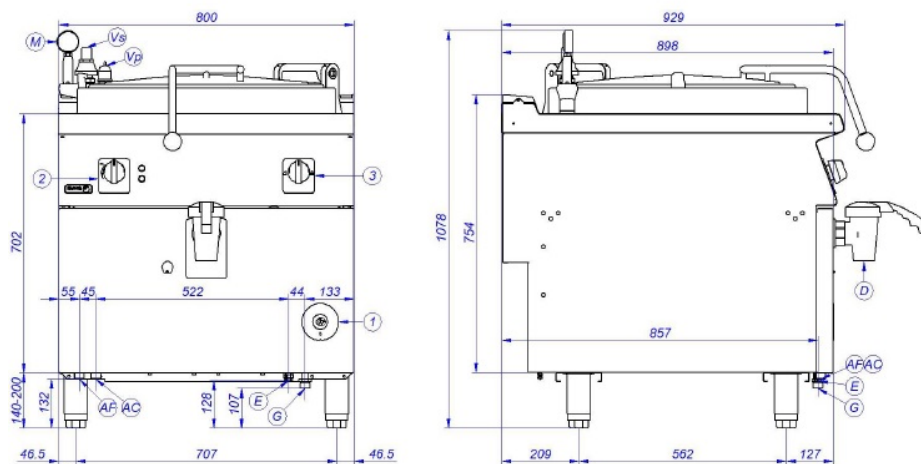
Modelo
M-G915 BM NG 230V 1N 50Hz

19075830

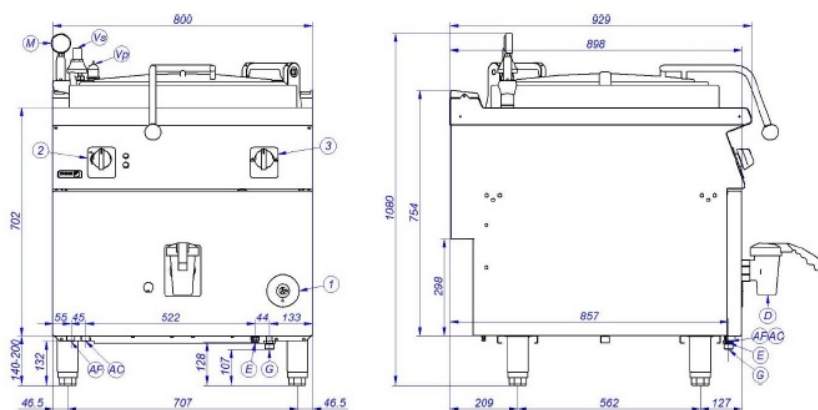
11/11/2021

- TALL CHIMNEY KORE

M-G910 BM



M-G915 BM



- | | | |
|----|--------------------------|---------------------|
| AF | Entrada de Agua Fría | Cold water Inlet |
| AC | Entrada de Agua Caliente | Hot water Inlet |
| E | Conexión eléctrica | Electric connection |
| D | Desagüe | Drainage |
| G | Entrada de Gas | Gas Inlet |
| M | Manómetro | Manometer |
| Vs | Válvula de seguridad | Safety valve |
| Vp | Válvula de presión | Pressure Valve |
| 1 | Grifo válvula de gas | Gas valve tap |
| 2 | Regulador de energía | Energy regulator |
| 3 | Conmutador de agua | Water switch |

