



Catalogue
FOOD SERVICE
Chapter
COOKING

Specific model
FT-G905 L NG 230V 1N

19075671

11/11/2021

DENOMINATION:

GN gas frytop with thermostatic temperature control, smooth hot-plate, half module, 900 range.

DESCRIPTION :

- " -Surface tops manufactured in 2 mm thick AISI-304 stainless steel.
- Laser-cut joints, automatic welding and polishes. Screws hidden from view.
- Fry-tops manufactured in 20 mm thick mild steel, high powered and with rapid temperature attainment.
- Rapid reaction and recovery times of the fry-top temperature.
- The fry-tops are integrated into the funnelled surface top.
- The funnelled housing with rounded edges and corners make them very easy to clean.
- Fry-top tilted towards the front to facilitate fat and liquid collection.
- Fitted with an opening for the collection of cooking fat and storage tray with a capacity of up to 2 litres depending on the model.
- Option of easily dismantable side and back splash guards.
- High temperature enamelled cast iron flue protector.
- Access to the components from the front.
- Machines with IPX5 grade water protection."
- Smooth hot-plate.
- "- Gas heated model with burners with two branches.
- Thermostatic temperature control (between 100 and 300 °C).
- Ignition by electronic spark train. Have access tube for manual ignition.
- "

POSSIBLE OPTIONS :

- 230 1N- Transformation A 230 V single phase
- 230 III - A 230 V three-phase transformation without neutral
- MARINE - Other machines - Ship transformation - 440 III

POSSIBLE ACCESSORIES :

- STANDS 900
- REFRIGERATED STANDS
- ACCESSORIES KORE
- FRY-TOP ACCESSORIES KORE
- KORE WHEELS
- TALL CHIMNEY KORE

DIMENSIONS



X Width	400 mm	X Gross width	440 mm
Y Depth	930 mm	Y Gross depth	1022 mm
Z Height	290 mm	Z Gross height	535 mm
Net Weight	70,0 kg	Gross Weight	88,0 kg
Net volume	0,110 m3	Gross volume	0,241 m3

ELECTRICITY TECHNICAL SPECIFICATIONS

Electric power	0,100 kW
Amperage (A)	2A
Voltage	230V - 1N
Electric frequency	50/60Hz

GAS TECHNICAL SPECIFICATIONS

Gas type	NG
Gas power	9,25 kW
Gas consumption	0,978 m3/h
Regulated	NG G20/G25/G25.1 20/25/25 mbar

CONNECTIONS TECHNICAL SPECIFICATIONS

Gas diameter 1	R3/4"
----------------	-------



Catalogue
FOOD SERVICE

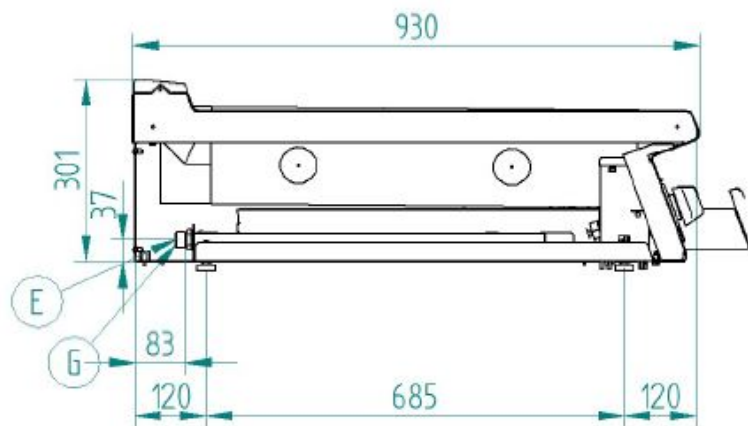
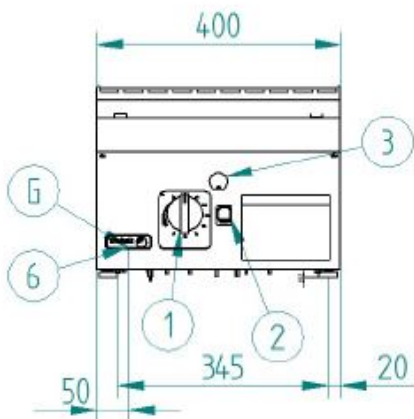
Capítulo
COOKING

Modelo
FT-G905 L NG 230V 1N

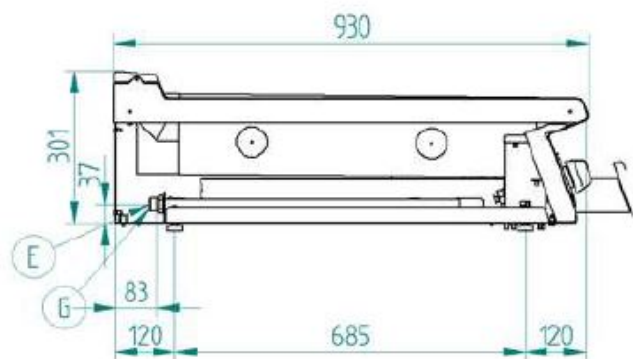
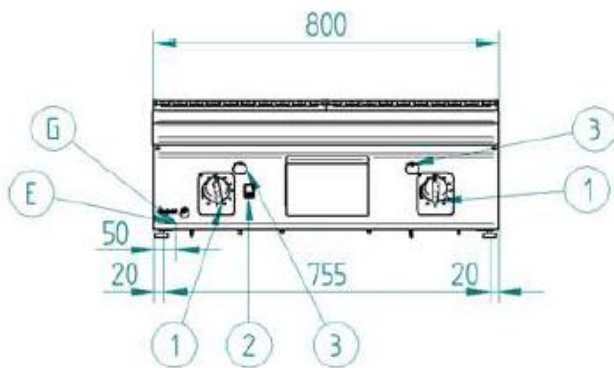
19075671

11/11/2021

FT-G905



FT-G910



- G. Entrada de Gas
- E. Conexión eléctrica
- 1. Válvula de gas
- 2. Pulsador tren de chispas
- 3. Orificio de encendido manual

- Gas Inlet
- Electrical connection
- Gas valve
- Piezoelectric ignitor
- Manual ignition hole