



Catalogue
FOOD SERVICE
Chapter
COOKING

Specific model
F-G9221 R NG 230V 1N 60Hz 4C

19075630

11/11/2021

DENOMINATION:

Gas fryer, NG 60Hz, 2 stamped tanks of 21 L, 900 range.

DESCRIPTION :

- Surface tops manufactured in 2 mm thick AISI-304 stainless steel.
- Laser-cut joints, automatic welding and polishes. Screws hidden from view.
- Tank stamped into the surface top with robotized weld and polish.
- Cold zone in the lower part of the well, which helps to maintain the quality and characteristics of the oil in use for longer.
- Safety thermostat in all models.
- Unloading of oil from the well by means of a robust and reliable ball valve, resistant to high temperatures.
- With individual lids for each well.
- High temperature enamelled cast iron flue protector.
- Access to the components from the front.
- Machines with IPX5 grade water protection.
- Voltage for electric models:
- 400 V 3+N . Ask for other models.
- Thermostatic temperature control between 60 and 200 °C.
- High-power machines which heat up very fast and with a high power:litre ratio (up to 1.00 kW/litre in gas models).
- Gas models with three longitudinal heating tubes integrated into the well.
- High efficiency gas burners.
- Ignition by spark train for the gas models.

POSSIBLE OPTIONS :

- 230 1N- Transformation A 230 V single phase
- 230 III - A 230 V three-phase transformation without neutral
- MARINE - Other machines - Ship transformation - 440 III

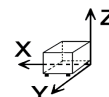
POSSIBLE ACCESSORIES :

- FOOD SERVICE
- STANDS 900
- REFRIGERATED STANDS
- ACCESSORIES KORE
- FRYER ACCESSORIES KORE
- KORE WHEELS
- TALL CHIMNEY KORE

SUPPLIED ACCESSORIES:

- 12128044 Small basket F9-21 4

DIMENSIONS



X Width	800 mm	X Gross width	840 mm
Y Depth	930 mm	Y Gross depth	1022 mm
Z Height	850 mm	Z Gross height	1255 mm
Net Weight	140,0 kg	Gross Weight	160,0 kg
Net volume	0,630 m3	Gross volume	1,077 m3

ELECTRICITY TECHNICAL SPECIFICATIONS

Electric power	0,100 kW
Amperage (A)	2A
Voltage	230V - 1N
Electric frequency	60Hz

GAS TECHNICAL SPECIFICATIONS

Gas type	NG
Gas power	42,00 kW
Gas consumption	4,370 m3/h
Regulated	NG G20/G25/G25.1 20/25/25 mbar

CONNECTIONS TECHNICAL SPECIFICATIONS

Gas diameter 1	R3/4"
Gas 2 diameter	R3/4"



Catalogue
FOOD SERVICE

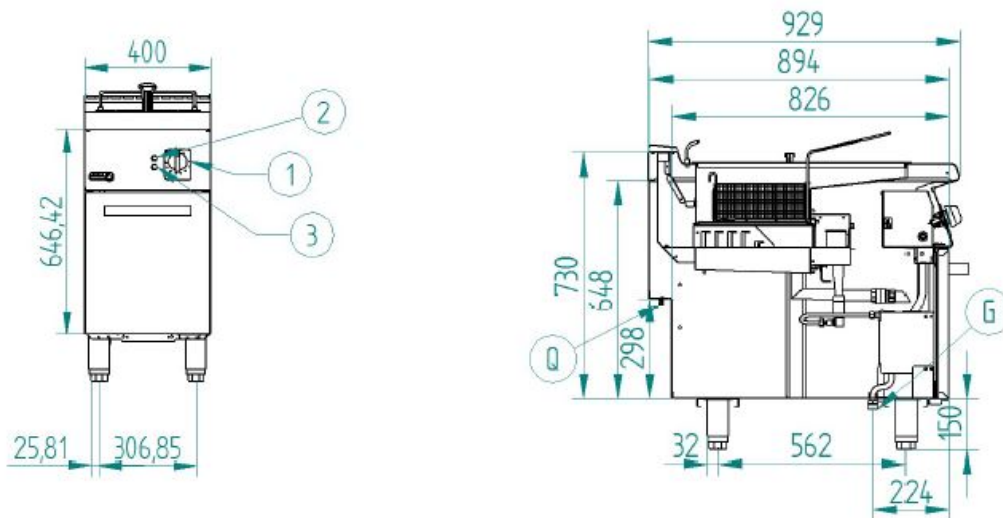
Capítulo
COOKING

Modelo
F-G9221 R NG 230V 1N 60Hz 4C

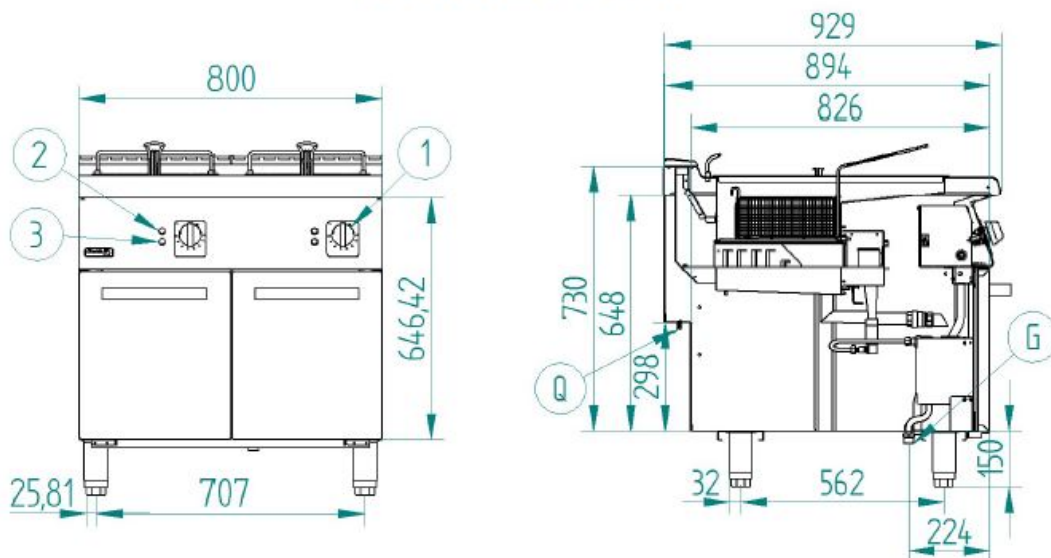
19075630

11/11/2021

F-G9115 & F-G9121



F-G9215 & F-G9221



Q – Conexión equipotencial
G – Entrada de Gas
1 – Grifo válvula de gas
2 – Piloto verde
3 – Piloto ambar

Equipotential connection
Gas Inlet
Gas valve tap
Green pilot
Ambar pilot