



**Catalogue**  
**FOOD SERVICE**  
**Chapter**  
**COOKING**

**Specific model**  
F-G9215 NG 230V 1N 60Hz 2C

19081739

11/11/2021

**DENOMINATION:**

Gas fryer, NG 60Hz, 2 stamped tanks of 15 L, 900 range.

**DESCRIPTION :**

- Surface tops manufactured in 2 mm thick AISI-304 stainless steel.
- Laser-cut joints, automatic welding and polishes. Screws hidden from view.
- Tank stamped into the surface top with robotized weld and polish.
- Cold zone in the lower part of the well, which helps to maintain the quality and characteristics of the oil in use for longer.
- Safety thermostat in all models.
- Unloading of oil from the well by means of a robust and reliable ball valve, resistant to high temperatures.
- With individual lids for each well.
- High temperature enamelled cast iron flue protector.
- Access to the components from the front.
- Machines with IPX5 grade water protection.
- Voltage for electric models:
- 400 V 3+N . Ask for other models.
- Thermostatic temperature control between 60 and 200 °C.
- High-power machines which heat up very fast and with a high power:litre ratio (up to 1.00 kW/litre in gas models).
- Gas models with three longitudinal heating tubes integrated into the well.
- High efficiency gas burners.
- Ignition by spark train for the gas models.

**POSSIBLE OPTIONS :**

- 230 1N- Transformation A 230 V single phase
- 230 III - A 230 V three-phase transformation without neutral
- MARINE - Other machines - Ship transformation - 440 III

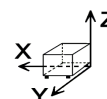
**POSSIBLE ACCESSORIES :**

- FOOD SERVICE
- STANDS 900
- REFRIGERATED STANDS
- ACCESSORIES KORE
- FRYER ACCESSORIES KORE
- KORE WHEELS
- TALL CHIMNEY KORE

**SUPPLIED ACCESSORIES:**

- 12233189 Complete basket F-7-15I 2

**DIMENSIONS**



X Width	800 mm	X Gross width	840 mm
Y Depth	930 mm	Y Gross depth	1022 mm
Z Height	850 mm	Z Gross height	1255 mm
Net Weight	140,0 kg	Gross Weight	160,0 kg
Net volume	0,630 m3	Gross volume	1,077 m3

**ELECTRICITY TECHNICAL SPECIFICATIONS**

Electric power	0,100 kW
Amperage (A)	2A
Voltage	230V - 1N
Electric frequency	60Hz

**GAS TECHNICAL SPECIFICATIONS**

Gas type	NG
Gas power	30,00 kW
Gas consumption	3,120 m3/h
Regulated	NG G20/G25/G25.1 20/25/25 mbar

**CONNECTIONS TECHNICAL SPECIFICATIONS**

Gas diameter 1	R3/4"
Gas 2 diameter	R3/4"



Catalogue  
**FOOD SERVICE**

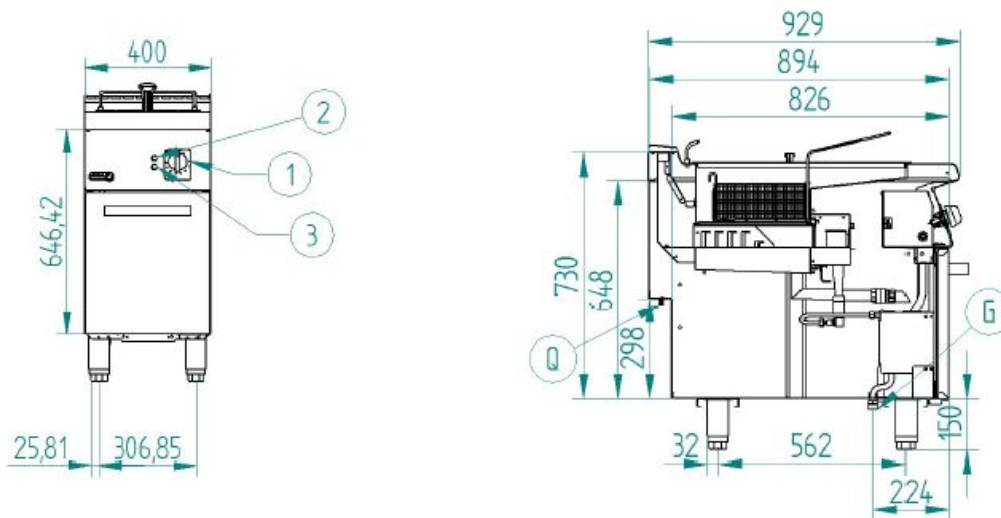
Capítulo  
**COOKING**

Modelo  
**F-G9215 NG 230V 1N 60Hz 2C**

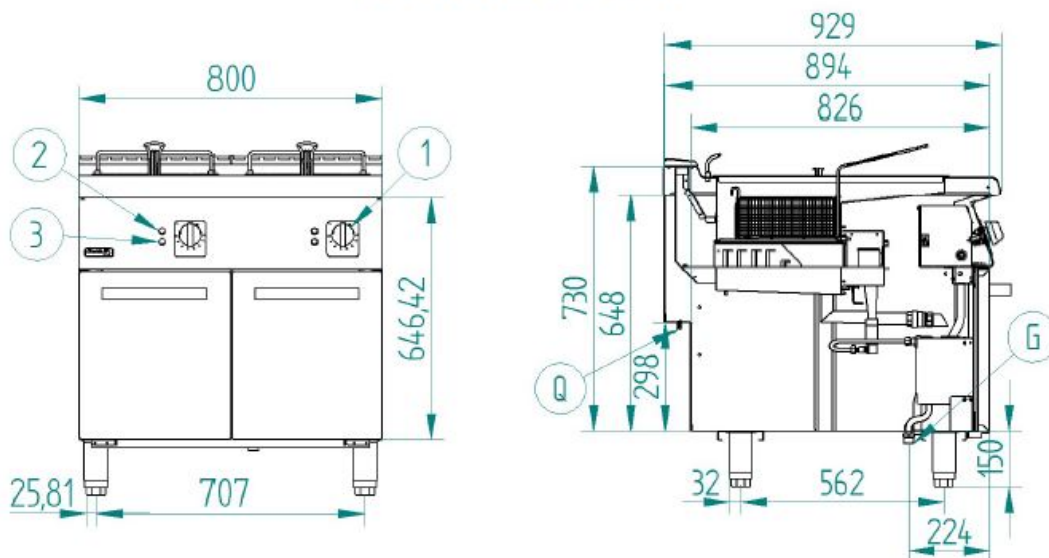
19081739

11/11/2021

**F-G9115 & F-G9121**



**F-G9215 & F-G9221**



Q – Conexión equipotencial  
G – Entrada de Gas  
1 – Grifo válvula de gas  
2 – Piloto verde  
3 – Piloto ambar

Equipotential connection  
Gas Inlet  
Gas valve tap  
Green pilot  
Ambar pilot