



Catalogue
FOOD SERVICE
Chapter
COOKING

Specific model
CP-G7140 NG 230V 1N

19074770

18/11/2021

DENOMINATION:

NG gas pasta cooker, 1 well of 40 L, 700 range.

DESCRIPTION :

- Surface tops manufactured in 1.5 mm thick AISI-304 stainless steel.
- Laser-cut joints, automatic welding and polishing. Hidden screws.
- 1.5 mm thick AISI-316L stainless steel wells built into the surface top.
- The well is filled through the inlet solenoid valve with a two-position switch: average and high-speed filling.
- Well drainage through a mechanical ball valve which is resistant to high temperatures and has a safety overflow.
- Automatic safety system to stop the current if the water runs out.
- Controls with a protective support base and system to prevent water infiltration.
- Machines with IPX5 grade water protection."
- GN-1/1 wells, with 40 litre capacity (they can be used with different positions of baskets of different sizes).
- High-performance stainless-steel burner located outside of the well with a combustion chamber that enables heating of the base and sides of the well (up to the minimum filling level).
- Burner ignition through electronic spark igniter. With an access tube for manual ignition.
- Heating controlled through safety valve."

POSSIBLE OPTIONS :

- 230 1N- Transformation A 230 V single phase
- 230 III - A 230 V three-phase transformation without neutral
- MARINE - Other machines - Ship transformation - 440 III

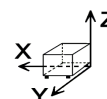
POSSIBLE ACCESSORIES :

- COOKING
- KORE WHEELS
- PASTA COOKER ACCESSORIES KORE
- TALL CHIMNEY KORE

SUPPLIED ACCESSORIES:

- 12008637 GN 1/3 cooking basket 3

DIMENSIONS



| | | | |
|------------|----------|----------------|----------|
| X Width | 400 mm | X Gross width | 440 mm |
| Y Depth | 730 mm | Y Gross depth | 822 mm |
| Z Height | 850 mm | Z Gross height | 1255 mm |
| Net Weight | 55,0 kg | Gross Weight | 70,0 kg |
| Net volume | 0,250 m3 | Gross volume | 0,454 m3 |

ELECTRICITY TECHNICAL SPECIFICATIONS

| | |
|--------------------|-----------|
| Electric power | 0,100 kW |
| Amperage (A) | 2A |
| Voltage | 230V - 1N |
| Electric frequency | 50/60Hz |

GAS TECHNICAL SPECIFICATIONS

| | |
|-----------------|---|
| Gas type | NG |
| Gas power | 16,00 kW |
| Gas consumption | 1,693 m3/h |
| Regulated | LPG G30/G31 28-30/37 mbar NG G20/G25/G25.1 20/25/25 mbar |

WATER TECHNICAL SPECIFICATIONS

| | |
|-----------------------|-------------------------|
| Pressure | H2O: 200-400kPa(2-4bar) |
| Water max consumption | 0,00 L/h |

CONNECTIONS TECHNICAL SPECIFICATIONS

| | |
|----------------------|---------|
| Gas diameter 1 | R.3/4"G |
| Water inlet diameter | 3/4" |



Catalogue
FOOD SERVICE

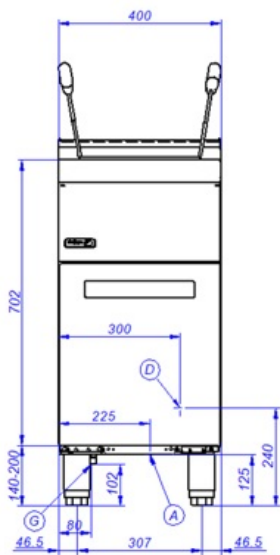
Capítulo
COOKING

Modelo
CP-G7140 NG 230V 1N

19074770

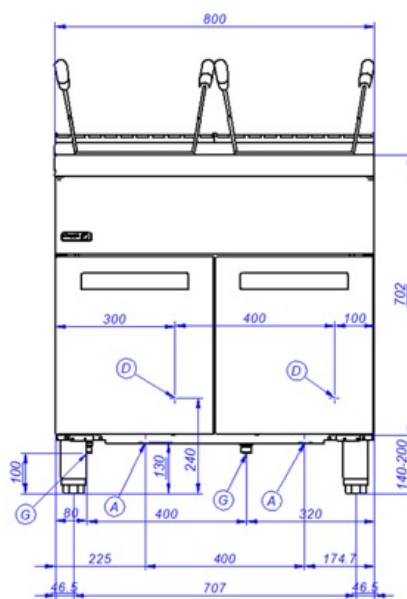
18/11/2021

CP-G7140

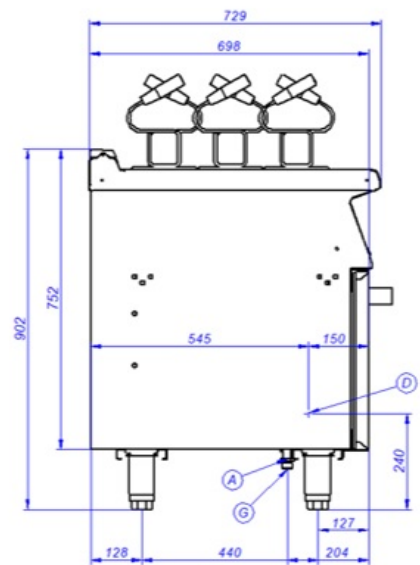


A – Entrada de Agua
G – Entrada de Gas
D – Desagüe

CP-G7240



Water Inlet
Gas Inlet
Drainage



Arrivée d'eau
Entrée de gaz
Vidange