



Catalogue
FOOD SERVICE
Chapter
DISHWASHING

Specific model
CCO-120 L CW 400V 3N 50Hz

19045325

09/11/2021

DENOMINATION:

Compact rack conveyor 120 racks/hour with entrance from the left for cold water

DESCRIPTION :

"- All the main parts are manufactured in AISI-304 anti-corrosion stainless steel: tanks, washing and rinsing arms, rinsing jets, doors, basket conveyance system, boiler and metal tubes.
- Upwards-opening double panel door.
- Tank tray filters made of AISI-304 stainless steel, easy to access and remove for cleaning and access to the tank.
- Safety filter for pump suction.
- Rinsing boiler with heat insulation.
- Easy access for installation. Electrovalve located on one side (no need to remove panels to connect the machine).
- Electrical panel designed for easy connection of dosers for liquid and solid detergents, rinse aid, limit switches, supplementary emergency stop button.
- Washing arms easily removable as a set, for cleaning, with a plug on each branch providing access for cleaning inside.
- Rinse jets easily dismantlable and removable.
- System of electronic regulation of speeds by means of frequency shifter.
- Configurable electronic temperature control:
- Wash (50 - 65 °C)
- Rinse (70 - 85 °C)
- Guarantee of rinse at 85 °C.
- Pressure regulator for flow control.
- Emergency stop button incorporated.
- Extra anti-entrapment protection system at the entrance, mounted on the AS-260 splash guard supplement (optional).
- Open door blocking system.
- IPX4 protection system.
- System for detection of blockage of conveyor carriage and automatic reverse function.
- Energy-saving system: reduces consumption by halting operation of the pumps, and by passing the heating of the rinse to stand-by mode (70 °C).
- Auto-timer which deactivates the conveyor motor after a pre-set period of inactivity (10 minutes)."
" - High-power washing system with 4 upper and 4 lower washing branches.
- Double effect rinse."
Entry through the left part of the machine.
CW: Model prepared for connection with cold water from the network (input temperature <math>< \langle \langle \rangle \rangle > 50 \text{ °C}</math>).

POSSIBLE OPTIONS :

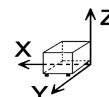
- Electric transformation to 230V three-phase without neutral (230V 3 ~)
- Electric transformation to marine version (440V 3~ 60 Hz.)
- Drying tunnel
- Anti-splash guard supplement (enter)
- Conveyor recovery system
- Anti-splash guard supplement (exit)

POSSIBLE ACCESSORIES :

- BASKETS



DIMENSIONS



X Width	1180 mm	X Gross width	1530 mm
Y Depth	790 mm	Y Gross depth	955 mm
Z Height	1560 mm	Z Gross height	1950 mm
Net Weight	211,0 kg	Gross Weight	306,0 kg
Net volume	2,225 m ³	Gross volume	2,849 m ³

ELECTRICITY TECHNICAL SPECIFICATIONS

Engine power	1,40 kW
Electric power	28,550 kW
Amperage (A)	46,9
Heating power	27,00 kW
Voltage	400V - 3N
Electric frequency	50Hz

WATER TECHNICAL SPECIFICATIONS

Pressure	H2O: 200-400kPa(2-4bar)
Water max consumption	210,00 L/h

CONNECTIONS TECHNICAL SPECIFICATIONS

230 V three-phase wiring	3X25+T - 100 A
Three-phase +N 400V wiring	4X16+T - 63 A
Drain 1 diameter	38



Catalogue
FOOD SERVICE

Capítulo
DISHWASHING

Modelo
CCO-120 L CW 400V 3N 50Hz

19045325

09/11/2021

- MODULAR ELEMENTS
- ENTRY-EXIT TABLES
- BASKETS FOR DISHWASHERS
- BASKETS FOR GLASSES

SUPPLIED ACCESSORIES:

- 19000484 Standard basket 2
- 19000487 Basket for 16/18 dishes 2
- 19000488 Baskets for 16 glasses and cups with 110 mm diameter and 105 mm height 1
- 19036306 Standard basket with dense base 1

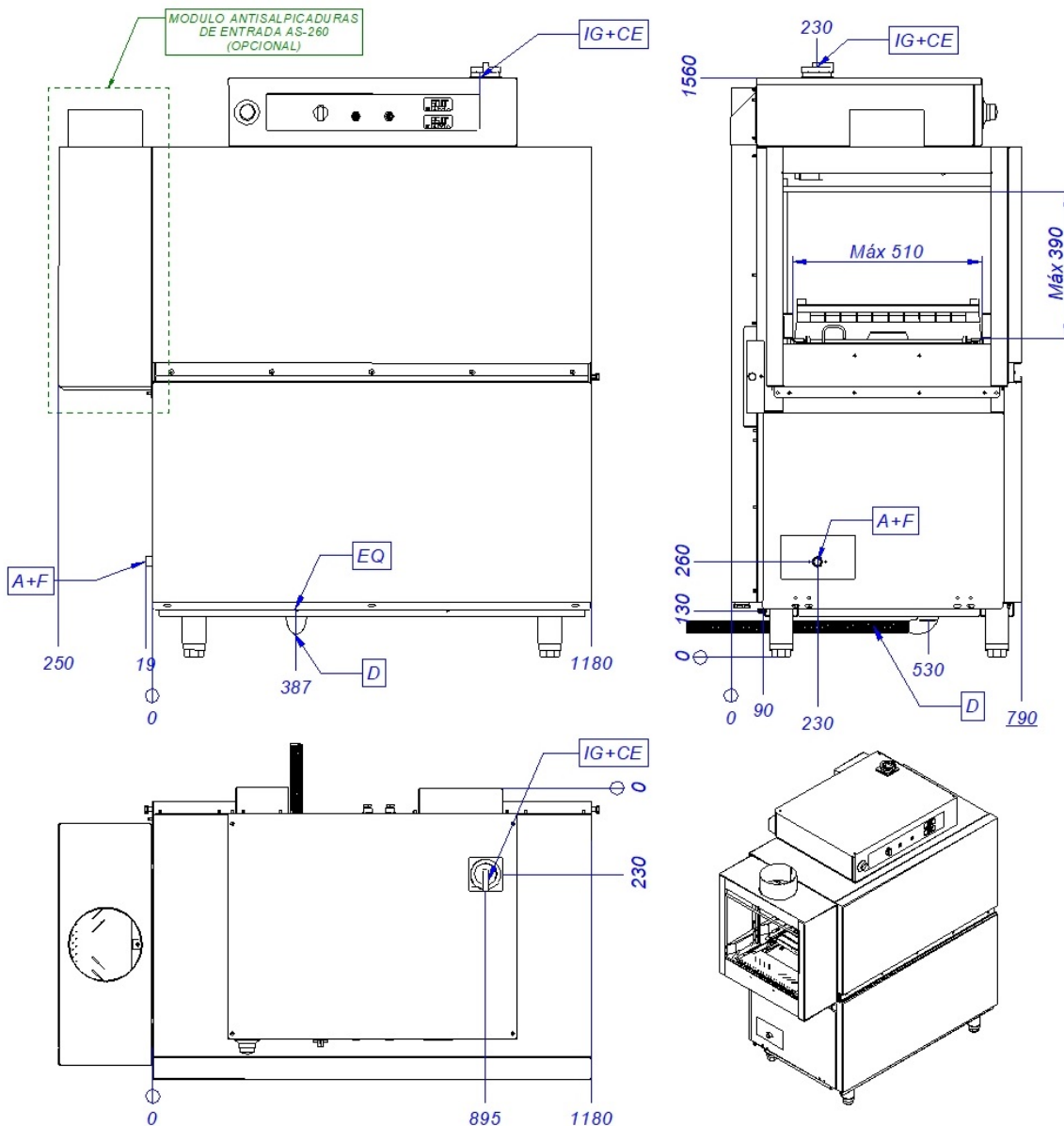
Catalogue
FOOD SERVICE

Capítulo
DISHWASHING

Modelo
CCO-120 L CW 400V 3N 50Hz

19045325

09/11/2021



A+F	Entrada de agua + filtro	Water inlet & filter	Arrivée d'eau et filtrer
CE	Alimentación eléctrica	Power supply	Connexion électrique
D	Desagüe	Drain	Vindage
EQ	Toma equipotencial	Equipotential bonding terminal	Connexion Équipotentielle
IG	Interruptor general	General switch	Interrupteur général