



Catalogue
FOOD SERVICE
Chapter
COOKING

Specific model
B-G7101 NG

19081700

10/12/2021

DENOMINATION:

GN gas grill floor model, cast iron grill, 1 module, 700 range.

DESCRIPTION :

FOOD SERVICE

- Stamped surface tops manufactured in 1.5 mm thick AISI-304 stainless steel
- Laser-cut joints and automatic welding. Hidden screws.
- Fitted with an opening to collect cooking grease and a tray to store it.
- Machines are fitted with removable 130 mm high guards to prevent splashes, made of stainless steel.
- High temperature enamelled cast iron flue protector.
- Access to the components from the front.
- Machines with IPX5 grade water protection.
- Mild steel grills, dismountable without the need for tools, in 170 mm wide sections.
- The mild steel grills are reversible, with different finishes on each side:
 - Tilted and grooved with ridges for meat
 - Horizontal and flat for fish and vegetables
- These grills reach a very high temperature (400 °C), meaning that the surface of the product is quickly sealed and inside it remains much juicier.
- Groups of three high-efficiency tube burners, with a radiant deflector (a group of three burners for half-sized module models, two groups for whole module models).
- Independent control for each group of burners via a safety valve with a thermocouple.
- Burners turned on using electric multispark ignition. With an access tube for manual ignition.
- The fat collection trays provide the option of adding water into them, and thanks to heat radiated from the gas burners or electrical elements, a low intensity steam is generated, causing the roast to be carried out in a humid environment.

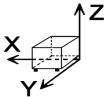
POSSIBLE ACCESSORIES :

- ACCESSORIES FOR CHARCOALS KORE
- KORE WHEELS
- TALL CHIMNEY KORE

SUPPLIED ACCESSORIES:

- 19045084 Scraper for charcoal with FE grill Kore generation 1

DIMENSIONS



X Width	800 mm	X Gross width	840 mm
Y Depth	730 mm	Y Gross depth	822 mm
Z Height	850 mm	Z Gross height	1255 mm
Net Weight	60,0 kg	Gross Weight	70,0 kg
Net volume	0,496 m3	Gross volume	0,867 m3

ELECTRICITY TECHNICAL SPECIFICATIONS

Voltage N/A

GAS TECHNICAL SPECIFICATIONS

Gas type NG

Gas power 16,20 kW

Gas consumption 1,714 m3/h

Regulated LPG G30/G31 28-30/37 mbar
NG G20/G25/G25.1 20/25/25 mbar



Catalogue
FOOD SERVICE

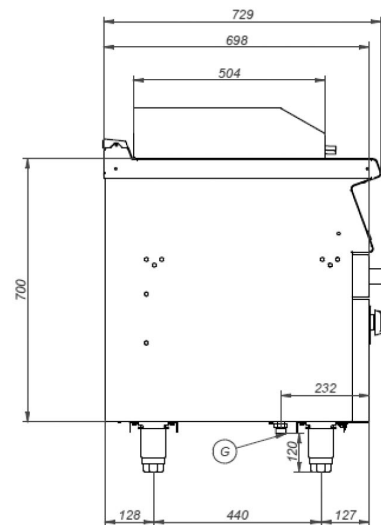
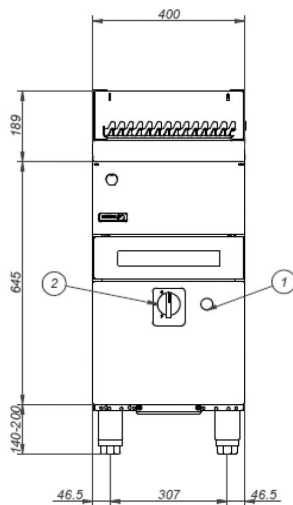
Capítulo
COOKING

Modelo
B-G7101 NG

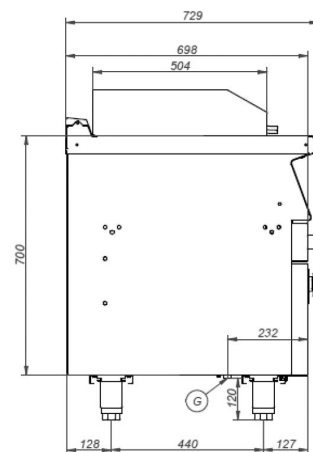
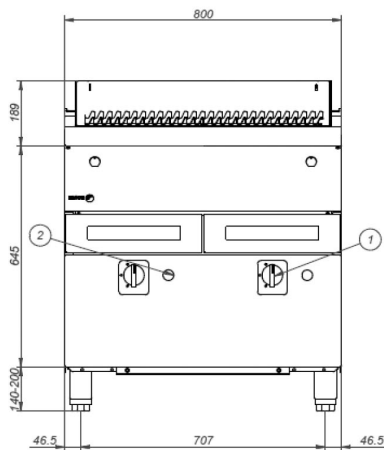
19081700

10/12/2021

B-G7051



B-G7101



G – Entrada de Gas
D – Desagüe
1 – Grifo válvula de gas
2 – Pulsador de encendido

Gas Inlet
Drainage
Gas valve tap
Piezoelectric ignitor