



Catalogue
FOOD SERVICE
Chapter
COOKING

Specific model
B-G705 NG

19074779

18/11/2021

DENOMINATION:

GN gas grill, cast iron grill, half module, 700 range.

DESCRIPTION :

- Stamped surface tops manufactured in 1.5 mm thick AISI-304 stainless steel
- Laser-cut joints and automatic welding. Hidden screws.
- Fitted with an opening to collect cooking grease and a tray to store it.
- Machines are fitted with removable 130 mm high guards to prevent splashes, made of stainless steel.
- High temperature enamelled cast iron flue protector.
- Access to the components from the front.
- Machines with IPX5 grade water protection.
- Mild steel grills, dismountable without the need for tools, in 170 mm wide sections.
- The mild steel grills are reversible, with different finishes on each side:
 - Tilted and grooved with ridges for meat
 - Horizontal and flat for fish and vegetables
- These grills reach a very high temperature (400 °C), meaning that the surface of the product is quickly sealed and inside it remains much juicier.
- Groups of high-efficiency tube burners, (a group of two burners for half-sized module models, two groups for whole module models).
- Independent control for each group of burners via a safety valve with a thermocouple.
- Burners turned on using Piezo electric ignition.
- The burners heat ceramic stones that sit on a supporting rack, so that they can then heat food on the grill.

POSSIBLE OPTIONS :

- 230 1N- Transformation A 230 V single phase
- 230 III - A 230 V three-phase transformation without neutral
- MARINE - Other machines - Ship transformation - 440 III

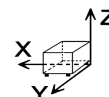
POSSIBLE ACCESSORIES :

- REFRIGERATED STANDS
- ACCESSORIES KORE
- STANDS 700
- ACCESSORIES FOR CHARCOALS KORE
- KORE WHEELS
- TALL CHIMNEY KORE

SUPPLIED ACCESSORIES:

- 19045084 Scraper for charcoal with FE grill Kore generation 1

DIMENSIONS



X Width	400 mm	X Gross width	440 mm
Y Depth	730 mm	Y Gross depth	822 mm
Z Height	290 mm	Z Gross height	535 mm
Net Weight	28,5 kg	Gross Weight	41,5 kg
Net volume	0,080 m3	Gross volume	0,193 m3

ELECTRICITY TECHNICAL SPECIFICATIONS

Voltage N/A

GAS TECHNICAL SPECIFICATIONS

Gas type NG
 Gas power 8,10 kW
 Gas consumption 0,857 m3/h
 Regulated LPG G30/G31 28-30/37 mbar
 NG G20/G25/G25.1 20/25/25 mbar

CONNECTIONS TECHNICAL SPECIFICATIONS

Gas diameter 1 R3/4"



Catalogue
FOOD SERVICE

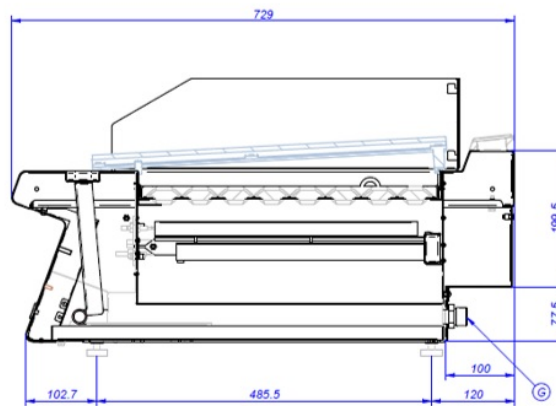
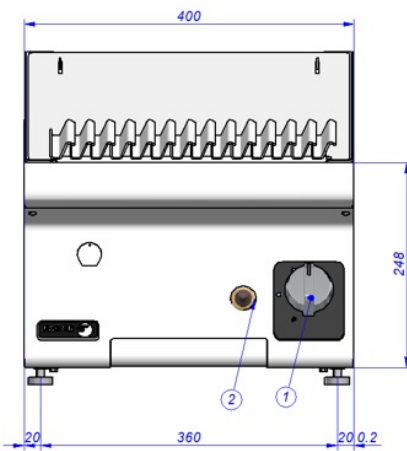
Capítulo
COOKING

Modelo
B-G705 NG

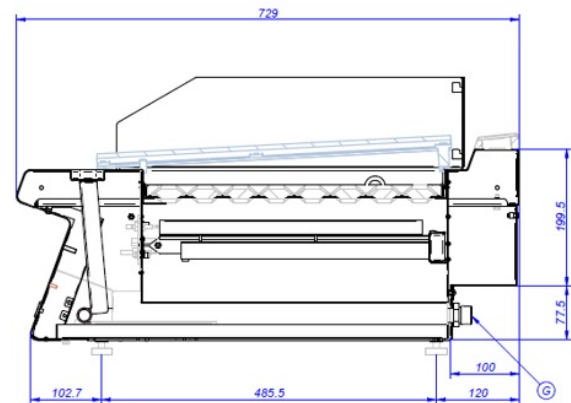
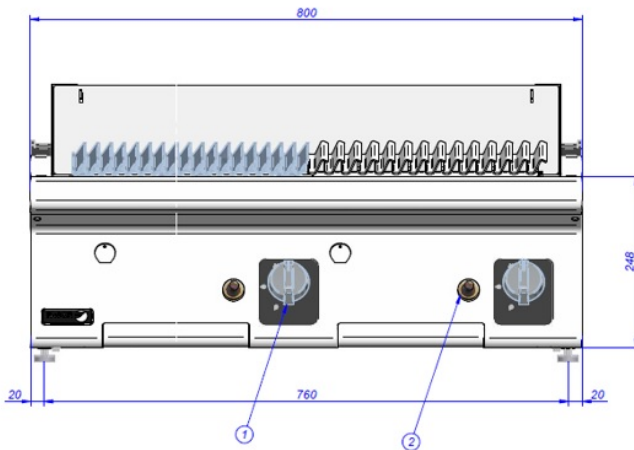
19074779

18/11/2021

B-G705



B-G710



G – Entrada de Gas
1 – Grifo válvula de gas
2 – Pulsador de encendido

Gas Inlet
Gas valve tap
Piezoelectric ignitor

Entrée de gaz
Robinete valve gaz
Allumeur piézoélectrique