

N3000 series

Australian models

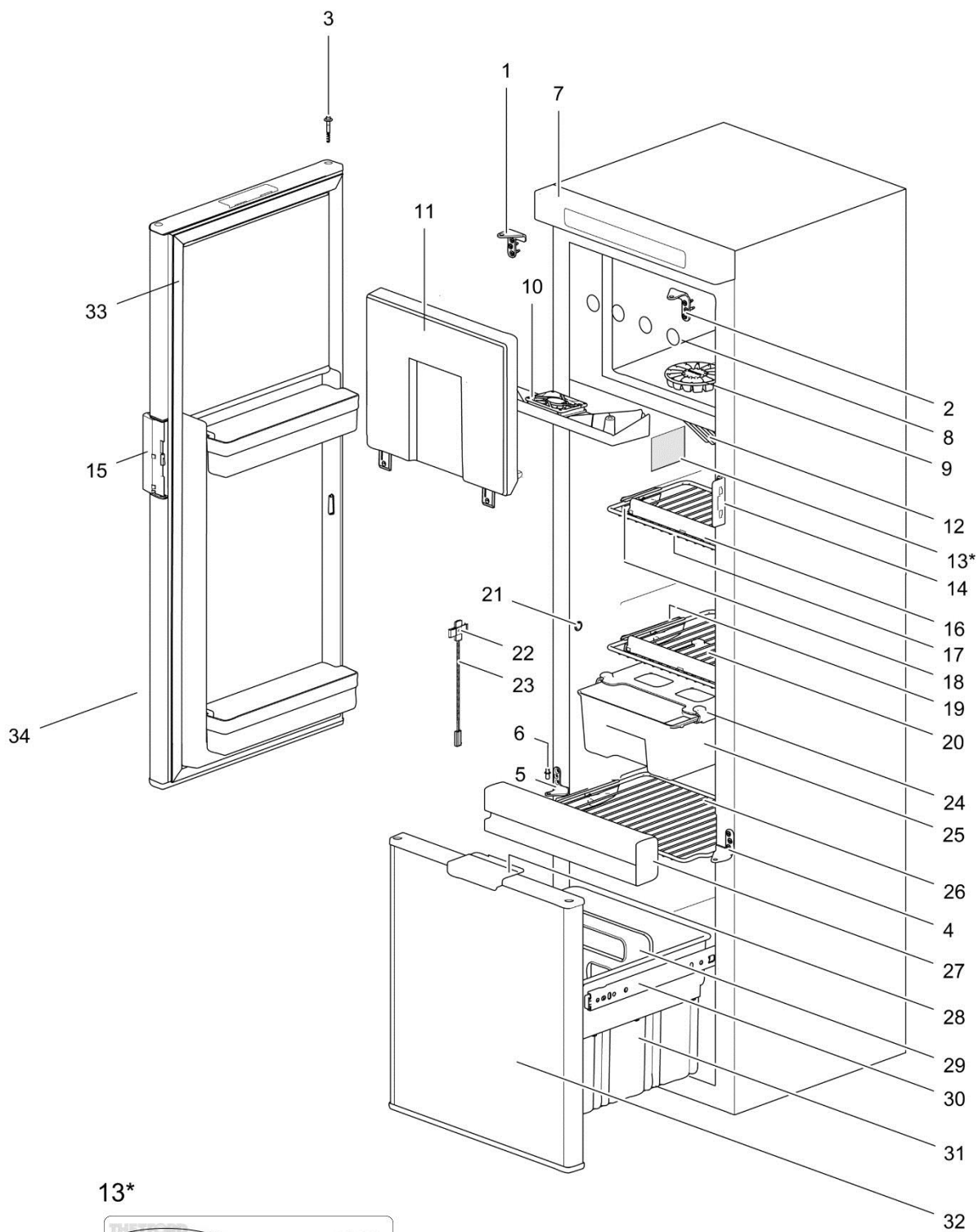
spare part list

N3141

Front	2
Controls	6
Back	10

N3175/N3185

Front	4
Controls	8
Back	12



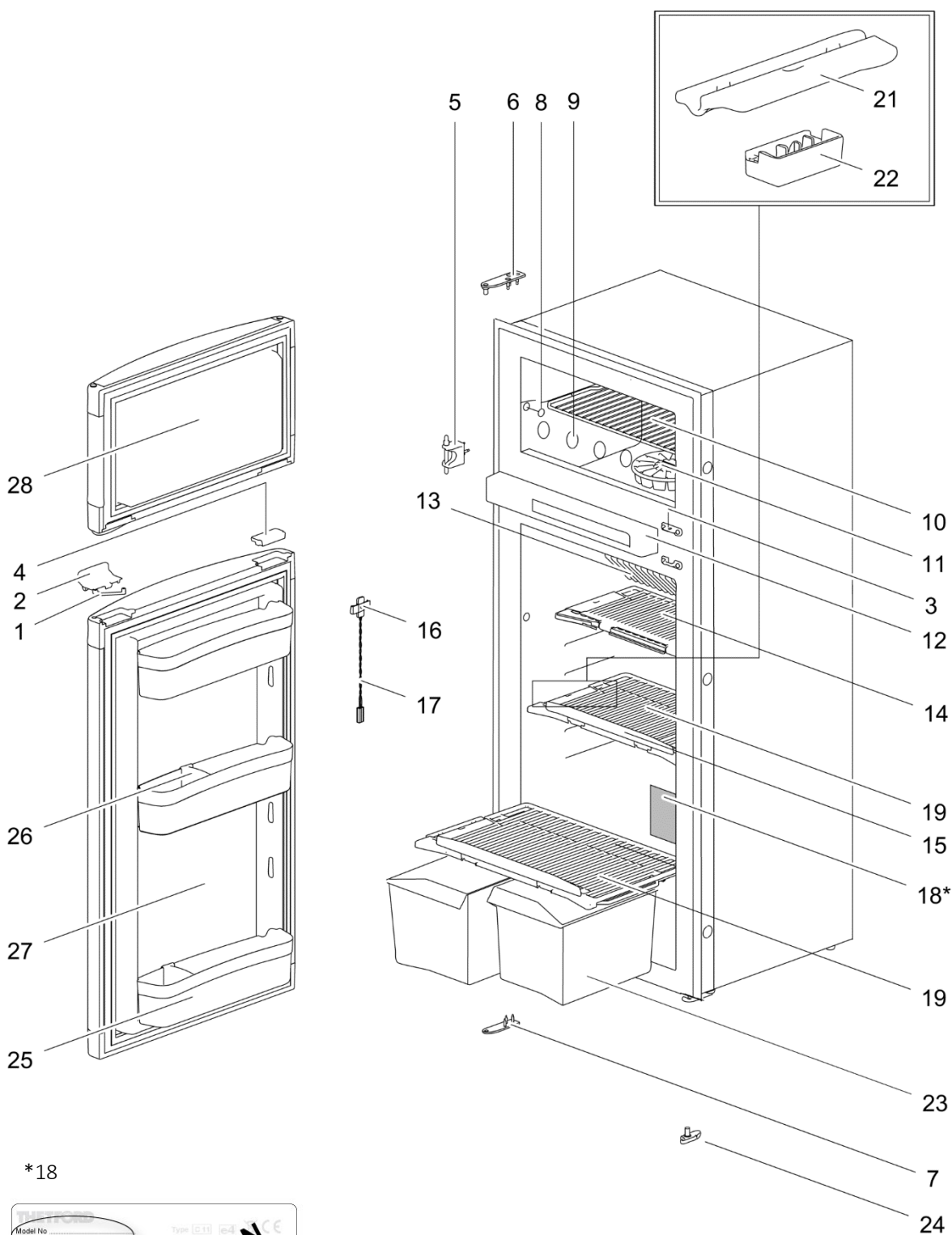
13*

TRIMARK Model No. _____ Type: E15 CE Serie No. _____ Climate Class: S1	
230 VAC, 50/60 Hz, 1.55 kW, 12 VDC, 540 Wh, 2000 BTU/h, 100 L, 100 L, 100 L	
Gross Volume Net Volume Volume (liters)	100 L 100 L 100 L
Power Volume Refrigerant (kg) Volume (liters)	
100 L 100 L 100 L	
Part No. _____ Barcode:	
CE Marked to EN15105 Part No. 6013N100051	
ABSORBENT: NH3 = 194.8 g, NACHROH = 19.1 g, Pmax = 21 bar	
COPV H2O: FREE FROST, FROST FREE	

LE1375_N3141_AUS_FRONT

		Spare part number	Spare part number	Colours available
1	Hinge plate top left	691111 < 01-05-2015	691456 ≥ 01-05-2015	27
2	Hinge plate top right			
3	Hinge pin (including spring)			
4	Hinge plate bottom right			
5	Hinge plate bottom left			
6	Hinge pin bottom			
7	Control panel	Refer to page 6		
8	Cap freezer bolt (12x)	624479		08
9	Ice cube tray	Not available		
10	Internal fan	691729		
11	Freezer door		691112	08
	Hinge freezer door (2x)	624680		
12	Fin			
13	Identification label*			
14	Door lock plate		691113	
15	Door handle			
16	Shelf food retainer	691114		08
17	Shelf 340 x 182	691731		08
18	Clip shelf small	623626		08
19	Clip shelf large	623625		08
20	Shelf 340 x 241	691730		08
21	Cap (2x)	623622		08
22	Fin clip (3x)	623059		
23	Thermistor	623077		
24	Guiding cover	691118		08
25	Slide-out box	691119		08, 12
26	Shelf 340 x 268	691732		08
27	Divider bar	Not available		
28	Drawer handle	691287		27
29	Drawer divider	691120		12
30	Drawer guides	691123		
31	Drawer bin	691288		08
32	Drawer door	690521		27R
33	Cabinet door <i>PM define door</i>	690519		27R
34	Door bin	691121		12

* With a request for information or service, always provide the serial number of the refrigerator. The serial number is the code below the barcode on the identification label.



*18

Model No	Type	CE
Serie No	Dimensioni (CxHxD)	135112
230 VAC / 50 Hz / 155 W / 12 VDC / 140 W		
Griglia Volume	100 L	
Volume Netto		
Volume Brutto		
Volume Netto		
Pressione Volume	0,350/0,31-0,30/0,27 mbar	
Capacità di Volume	(250P 0,30/0,31-0,30 mbar)	
Volume Congelato		
Volume Netto		
Volume Brutto		
Volume Netto		
Volume Brutto		
CE 0663 BR1207	Part No	034507
ABSORBER NH3 = 154,6 g	N2O2R04 = 10,1 g	g max = 21,6g
CFC/HCFC FREE / PWR, FCW/ FRO		
©2019 BSH BSH Home Appliances GmbH		

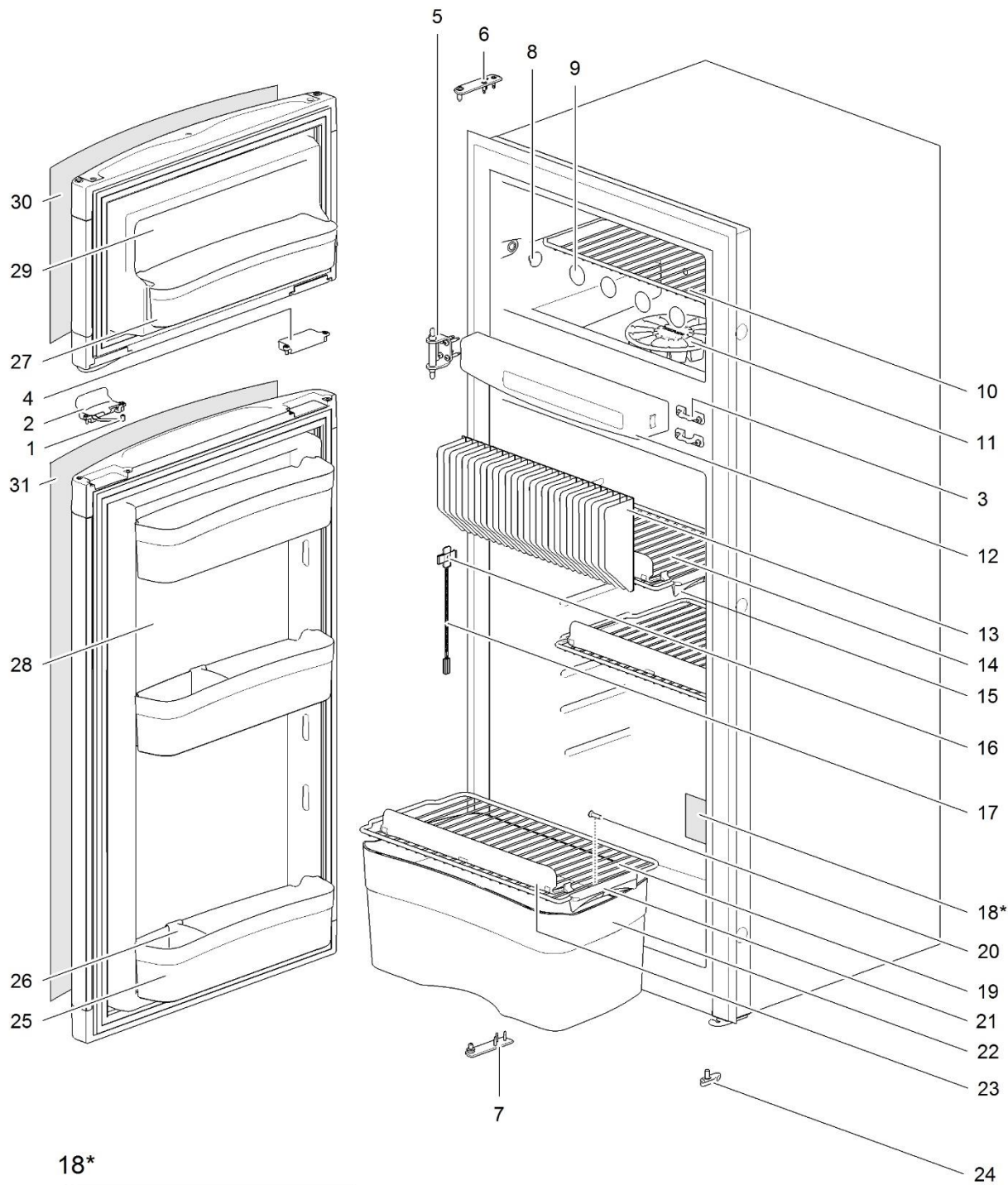
SPECIMEN

ED13N1000611

LE1142-N3185-front_1018

		Spare part number	Spare part number	Spare part number	Colours available
1	Storage strap (2x)	626986			
2	Latch		626985	691739 ≥ 24-04-2018 (E114V.....)	27
3	Strike plate				
4	Pocket cover				
5	Center hinge		635011		
6	Hinge plate				
7	Hinge plate				
8	Cap (2x)	623622			08
9	Cap freezer bolt (12x)	624479			08
10	Shelf 404 x 238.5	690843			08
11	Ice cube tray				
12	Control panel	<i>refer to page 8</i>			
13	Fin				
14	Shelf rack 415 x 200	692511			144
15	Clip shelf rack large	692513			08
16	Fin clip	623059			
17	Thermistor	623077			
18	Identification label *				
19	Shelf rack 415 x 250	692512			144
21	Clip shelf rack small	692513			08
22	Clip rack safety lock				
23	Vegetable bin reversible	692524			144
24	Latch bottom	624001			27
25	Door bin	626976			12
26	Bottle retainer	626989			12
27	Door Curved Framed (black)	635032			27R
	Door Curved Frameless (Piano black)	690153			138R
28	Freezer Door Curved Framed (black)	692371			27R
	Freezer Door Curved Frameless (Piano black)	692372			138R

* With a request for information or service, always provide the serial number of the refrigerator. The serial number is the code below the barcode on the identification label.



18*

TIPOTEC

Model No. Type **E196V** **CE**
 Serie No. Climate Class **T32**

230 Volt - 50/60 Hz - 1500 W - 12 VDC - 140 W 130112

Grande Volume 108 L
 Grande Volume 25 L
 Grande Volume 25 L

Alimentazione 230V/50/60 Hz
 Consumo Corrente 1500 W
 Consumo Corrente 1200 W

Net Weight 102 kg
 Net Weight 102 kg
 Net Weight 102 kg

CE mark 010207
 010207

ABSORBER 1045 - 1045 g NA2CO3 - 10.1 g g max = 21 bar

CFR/HCFC FREE / FROST FREE

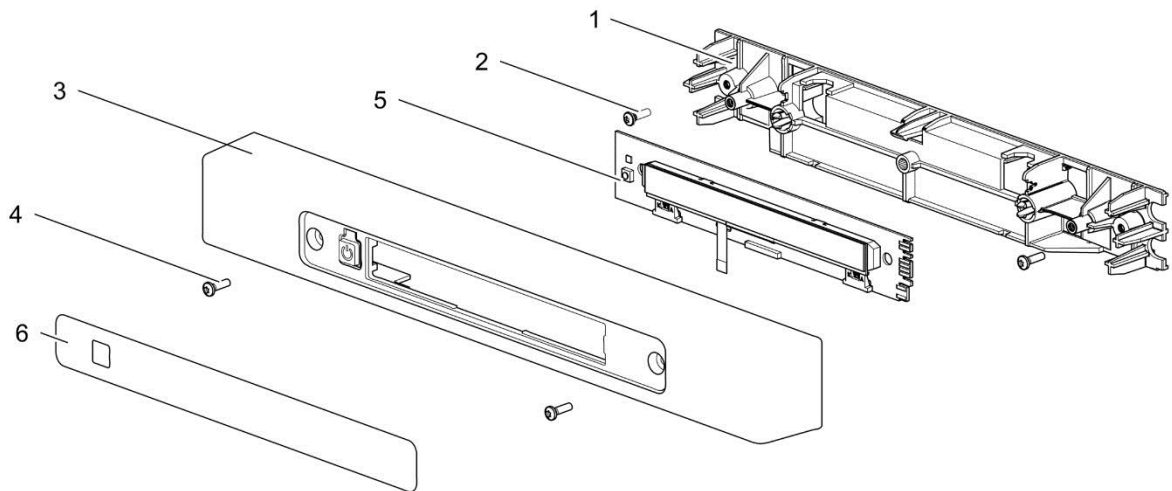
Barcode: E013N1000611

320019
 W02_Serie/Type_E01

LE1142_N3185Z-front_0215-V03

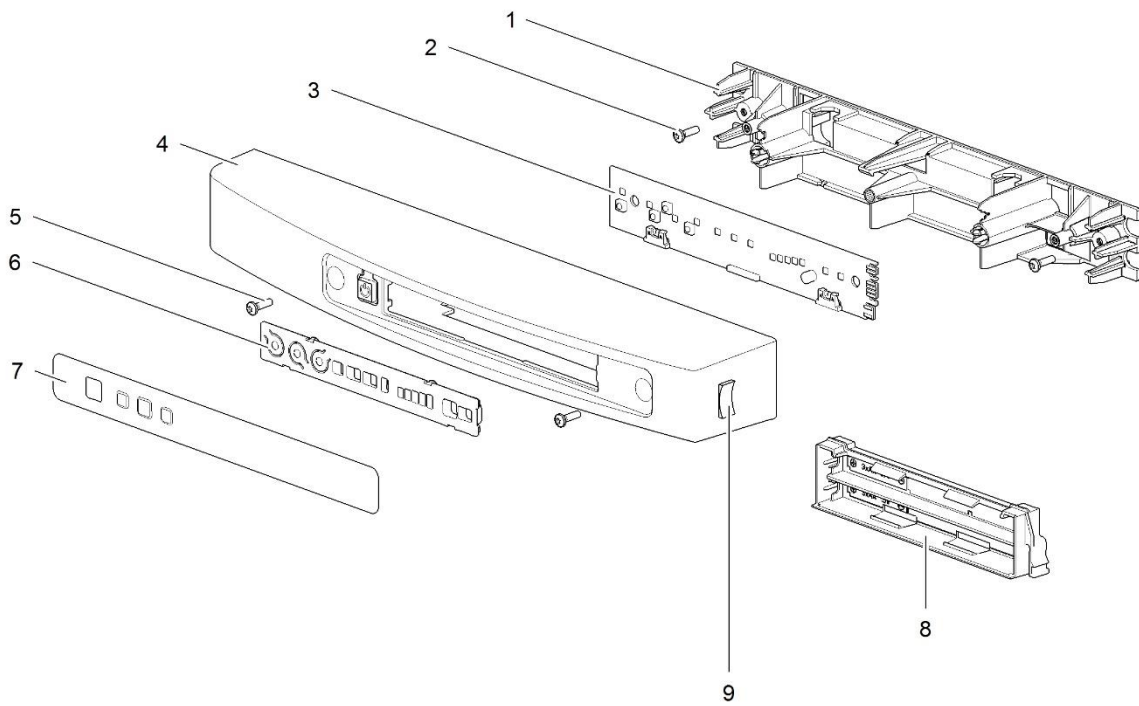
		Spare part number	Spare part number	Spare part number	Colours available
1	Storage strap (2x)	626986			
2	Latch		626985	691739 ≥ 24-04-2018 (E114V.....)	27
3	Strike plate				
4	Pocket cover				
5	Center hinge		635011		
6	Hinge plate				
7	Hinge plate				
8	Cap (2x)	623622			08
9	Cap freezer bolt (12x)	624479			08
10	Shelf 404 x 238.5	690843			08
11	Ice cube tray				
12	Control panel	<i>refer to page 8</i>			
13	Fin				
14	Shelf 428.4 x 232.3	691191			08
15	Clip shelf large	623625			08
16	Fin clip	623059			
17	Thermistor	623077			
18	Identification label *				
19	Shelf 428.4 x 282.3		691192		08
20	Shelf lock screw				
21	Clip shelf large	623625			08
22	Vegetable bin	626980			12
23	Shelf food retainer	691188			08
24	Latch bottom	624001			27
25	Door bin	626976			12
26	Bottle retainer	626989			12
27	Door bin	626977			12
28	Door Curved Framed (black)	635032			27R
	Door Curved Frameless (Piano black)	690153			138R
29	Freezer Door Curved Framed (black)	690113			27R
	Freezer Door Curved Frameless (Piano black)	690154			138R
30	Door panel freezer door 270 x 463 x 1.2	691455SP			
31	Door panel 863 x 464 x 1.2	691454SP			

* With a request for information or service, always provide the serial number of the refrigerator. The serial number is the code below the barcode on the identification label.



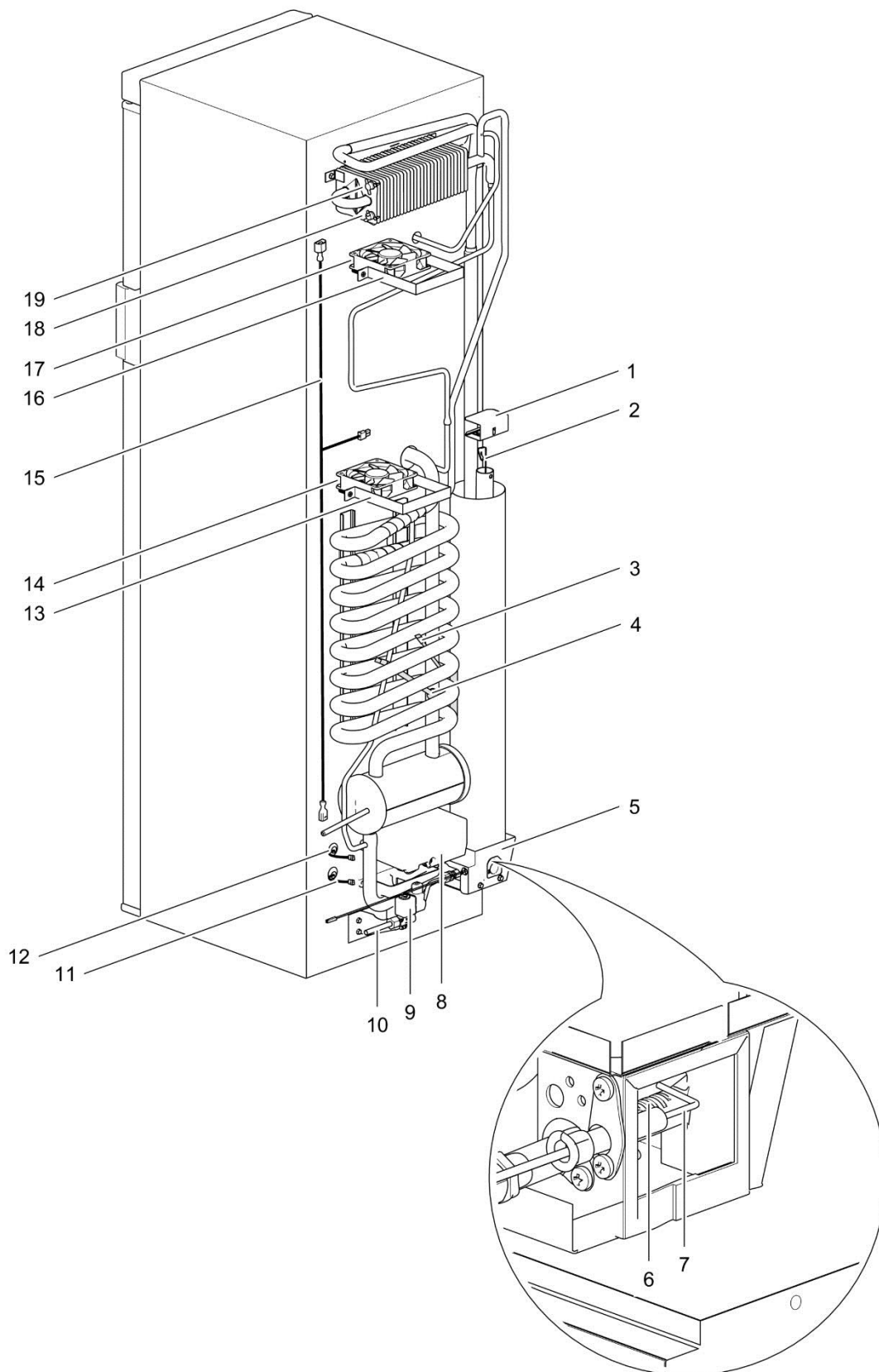
		Spare part number	Spare part number	Spare part number	Colours available
1	Technical panel flat ¹	691102			
2	Screws				
3	Housing flat ¹		691104		27
4	Screws				
5	PCB LCD DM		691108		
6	Sticker LCD	691452			

¹ Order also spare part 'Sticker LCD' (#6) with this spare part number



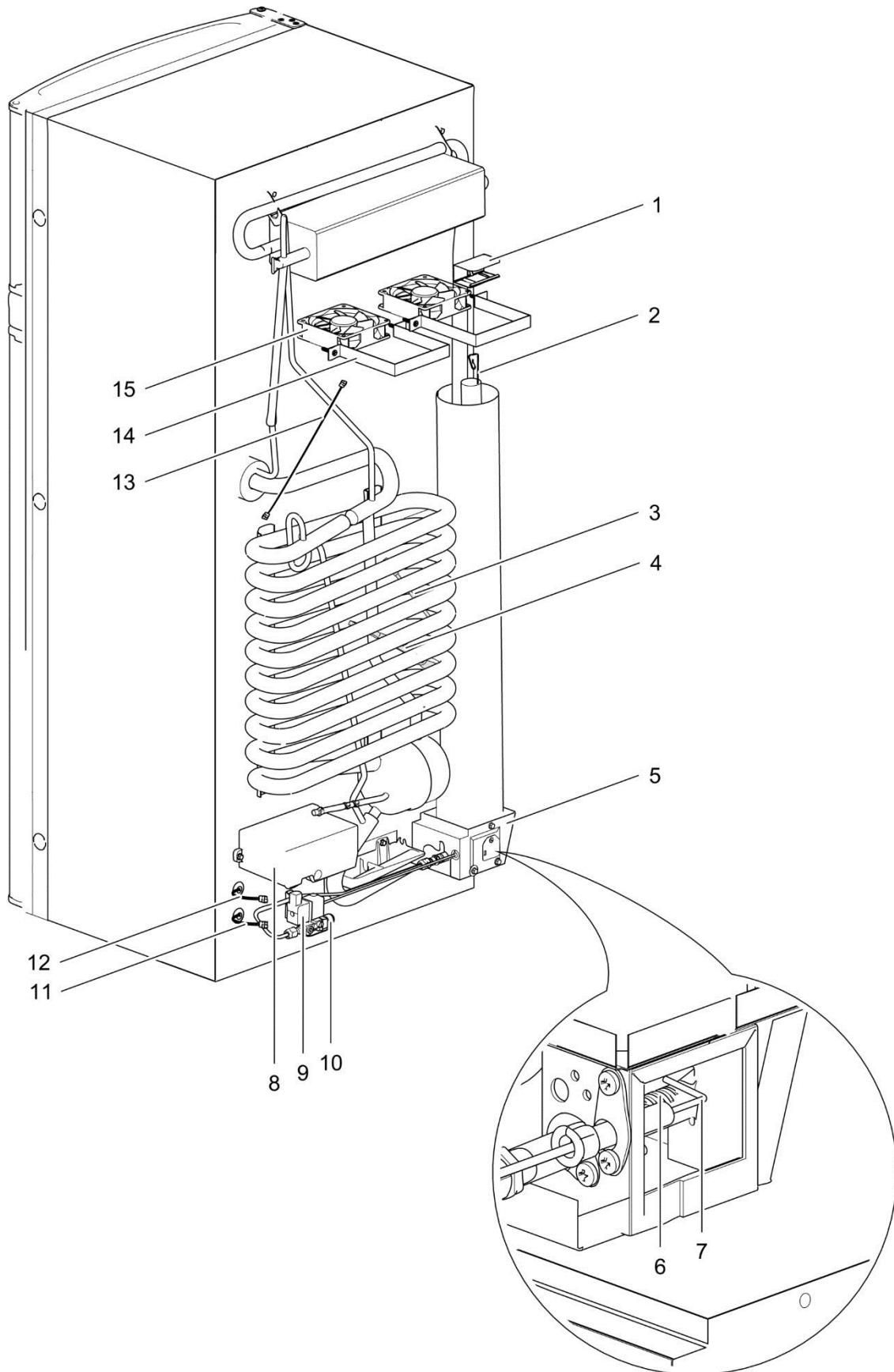
		Spare part number	Spare part number	Colours available
1	Technical panel curved ¹	690825		
2	Screws			
3	PCB LED DM ¹	691103		
4	Housing curved ¹	691185 <i>left hinged version</i>	691186 <i>right hinged version</i>	27
5	Screws			
6	Overlay LED ¹	691105		
7	Sticker LED	691106		
8	Battery hatch			
	Battery pack	690225		27
9	Rocker Switch	691187		

¹ Order also spare part number 691106 (#7) with this spare part number



LE1377_N3141_AUS_BACK

		Spare part number	Spare part number	Colours available
1	Heat cap	690839		
2	Heat diffuser	Not available		
3	Heater AC 240VAC/300W	691193		
4	Heater DC 12VDC/205W	690875		
5	Heater box	Not available		
6	Burner assembly	690861		
7	Spark electrode	690830		
8	Power control board	691101		
9	Gas valve	691195		
10	Gas pipe	Not available		
13	Bracket Fan	690865		
14	Fan 1x			
15	Fan extension cable	691727		
16	Bracket Fan	690865		
17	Fan 1x			
18	Thermostat dc fan	690866		
19	Thermostat dc fan 90°	691729		



		Spare part number	Spare part number	Colours available
1	Heat cap			
2	Heat diffuser			
3	Heater 240VAC/300W	691193		
4	Heater 12VDC/190W	690875		
5	Heater box			
6	Burner assembly	690861		
7	Spark electrode	690830		
8	Power control board	691101		
9	Gas valve	691195		
10	Gas pipe			
11	Thermistor cable		690853	
	Loose connector temperature <i>power board side</i>	690855	<i>incl. connectors</i>	
12	Communication cable		691194	
	Loose connector communication	690856	<i>incl. connectors</i>	
13	Cable Fan			
14	Bracket Fan 1x		690865	
15	Fan 1x			

Colour Numbers	Description	Colour reference
07	Traffic Grey	RAL 7042
08	White	MP 1013 MP FR 85 R7
12	Blue	RAL 5012
27(R)	Black	RAL 9005
30	Mocha	NCS S 2005-Y40R
90	Anthracite Grey	RAL 7016
136	Black Grey	RAL 7021
138R	Piano Black	AM50CI EG schwarz 8325 VA 82-99139/10