

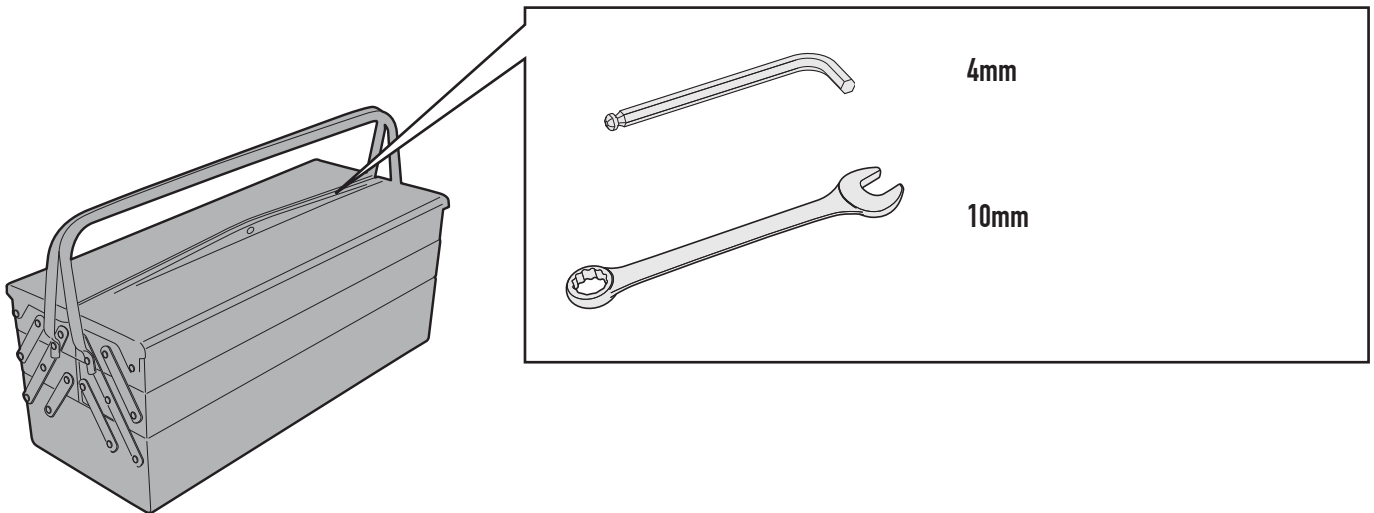
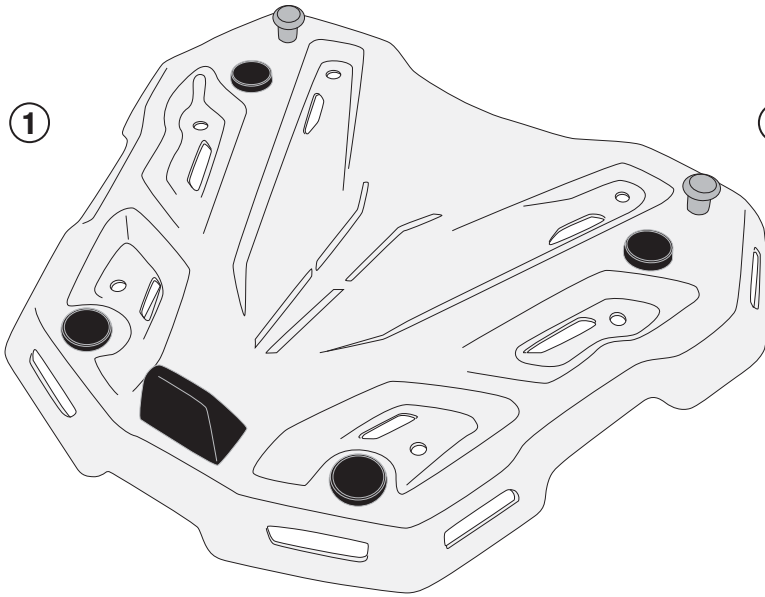
# M9 - KM9

PIASTRA MONOKEY - MONOLEY PLATE  
 MONOKEY PLAQUE - MONOKEY PLATTE  
 PLACA MONOKEY - PLACA MONOKEY

N°	Descrizione	Caratteristiche	Codice	Quantità
1	Piastra - Plate - Platine Platte - Parrilla - Grelha	-	M9	1
2	Vite - Screw Vis - Schraube Tornillo - Parafuso	TBEIFL M6x20	620TBEIFL	6
3	Dado - Bolt - Ecrou Mutter - Tuerca - Porca	Dado Auto Bloccante M6	6DADIAU	4
4	Rondella - Washer Rondelle - Scheibe Arandela - Arruela	-	618RON	4
5	Particolari Inclusi nel FZ/SR Components Included In The FZ/SR Pièces Inclues Dans El FZ/SR Bestandteile im FZ/SR enthalten Despieces Incluidos FZ/SR Explodiu incluído da FZ/SR	-	-	-

# M9 - KM9

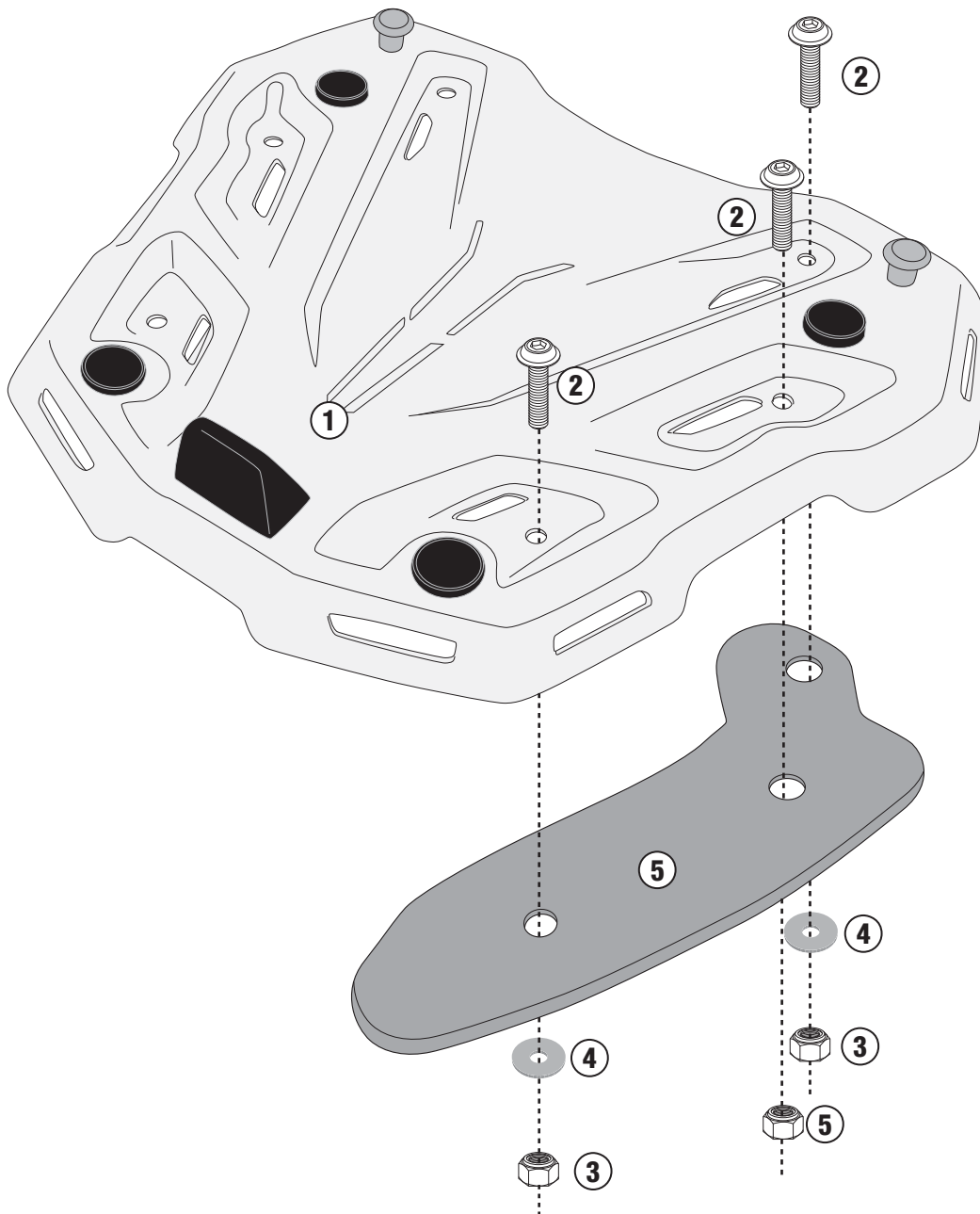
PIASTRA MONOKEY - MONOLEY PLATE  
MONOKEY PLAQUE - MONOKEY PLATTE  
PLACA MONOKEY - PLACA MONOKEY



# M9 - KM9

PIASTRA MONOKEY - MONOLEY PLATE  
MONOKEY PLAQUE - MONOKEY PLATTE  
PLACA MONOKEY - PLACA MONOKEY

**MAX LOAD 6KG**



# M9 - KM9

PIASTRA MONOKEY - MONOLEY PLATE  
MONOKEY PLAQUE - MONOKEY PLATTE  
PLACA MONOKEY - PLACA MONOKEY

