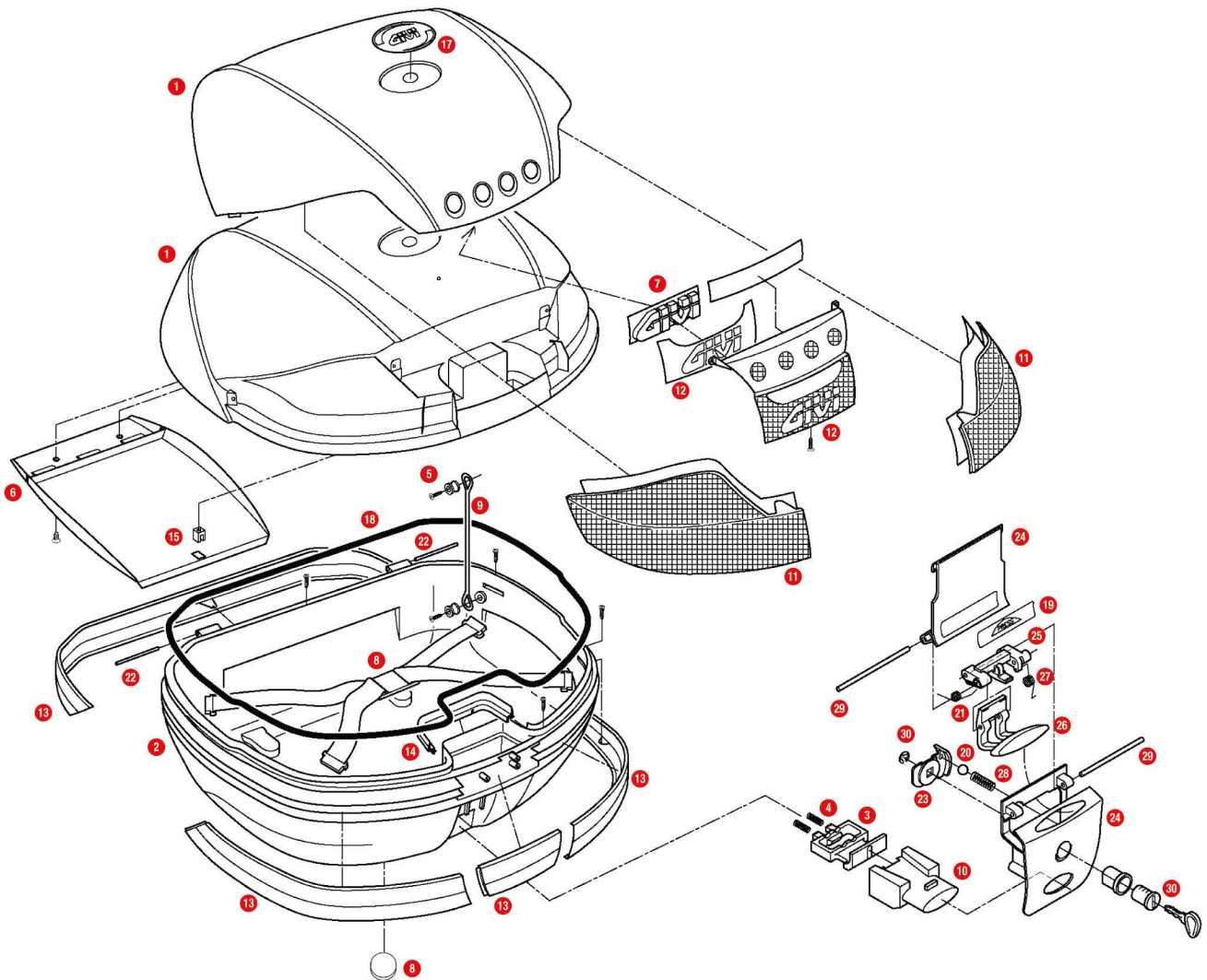


V46 / V46 TECH



1	Z46CNM	V46 top-shell with cover, black
2	Z46FNM	V46 bottom-shell, black
3	Z106	Bolt
4	Z109	Long bolt springs
5	Z112R	Red pulley, 4 pcs.
6	Z160	Inner document holder
7	Z229	Chromed GIVI brand
8	Z285	Inner strap
9	Z599	Nylon stop bag opening yarn
10	Z645R	Push button red
10	Z645CR	Opening push button chromed
11	Z731	Top-case reflector (right and left, for top-case MONOKEY® V46)
11	Z731TR	Top-case reflector (right and left, for top-case MONOKEY® V46NT TECH)
12	Z732KIT	Central top-case reflector (for top-case MONOKEY® V46)
12	Z732TR	Central top-case reflector (for top-case MONOKEY® V46NT TECH)
13	Z734SET	Central band, rear band and band right and left, ABS silver A900
14	SL101	Security lock set including cylinder, 2 keys, bush and under lock platelets

15	Z741	Hook for fixing the document holder
17	ZV45	V35/V46 logo
18	Z769	Black lock lining
	Z641NM2	Lock set
	Z641NTM	Lock set (for TECH version)
19	Z409R	Name holder, 1 pcs.
20	Z630	Steel spheres D. 6
21	Z632R	Steel torsion spring
22	Z637R	Pin. D. 04x75 mm, (1 piece)
23	Z640R	Plate below lock for standard key
23	Z4513R	Plate below lock for Security Lock key
24	Z641NR	Hinge black
25	Z643R	Lock set element red, 1 pcs.
25	Z643NR	Lock set element black
26	Z644R	Opening push button, red, 1 pcs. (for top-case V46)
27	Z647R	Torsion spring, 1 pcs.
28	Z648	Cylinder spring
29	Z721R	Pin. D. 04x85 mm
30	Z661	Key locks with corresponding bush with red handle
30	Z661A	Key locks with corresponding bush with silver handle (thickness 2.5 mm)