



SQ Pro

VARIABLE SPEED PUMP

Energy savings of up to **70%**



EFFICIENT, PROGRAMABLE, ULTRA QUIET

When looking to reduce your cost of owning your pool, this is the pump for you. It saves up to 70% of running costs compared to a single-speed pump. Made from the same chassis as the SQI pump, this pump has paired the reliability of Poolrite-made pumps with the latest technology for energy savings.



Cost and Energy Efficient

Unique multispeed motor allows you to set the speed and reduce energy consumption along with annual energy bills by up to 70%.



Latest Motor Technology

Featuring cutting-edge brushless DC motor technology for an extended lifespan of the pump.



Low maintenance

Featuring Poolrite's renowned lid design for fast and easy basket access, is a hassle-free choice due to its ease of cleaning and maintenance.



Proven performance

All Poolrite pumps are backed by decades of rigorous testing ensuring that our pumps last the longest in the market.



Ultra quiet operation

Less noise than your standard dishwasher.



True Variable Speed

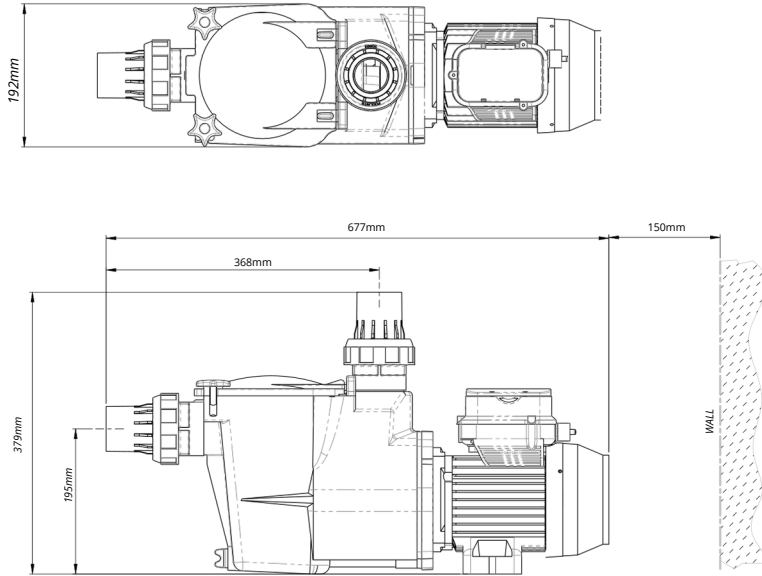
Have the ability to change and pre-program different speeds. Digital control panel RPM read out with adjustable speed settings.

Product Overview

The Perfect Fit

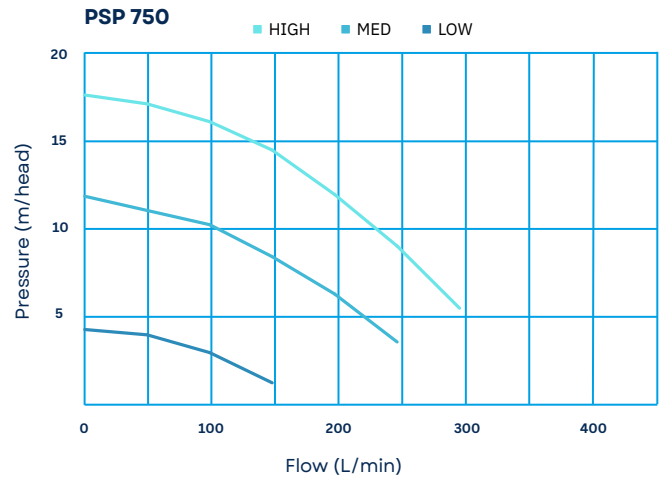
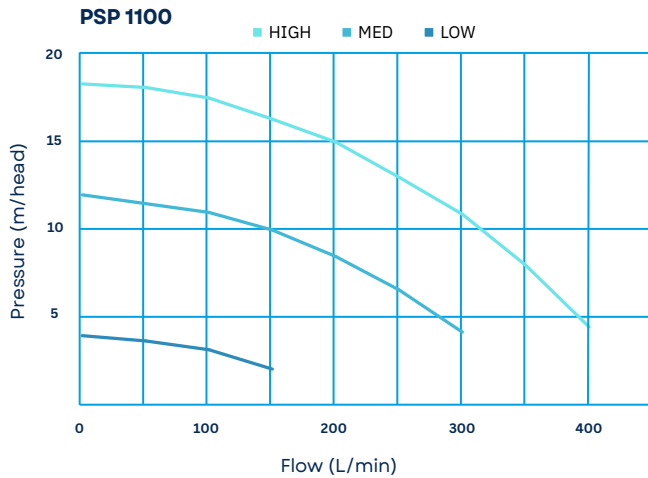
When you swap the SQ Pro for other Poolrite pumps you can effortlessly install it without modifying the plumbing.

The SQ Pro is designed to be compatible with all Poolrite SQ models, including the SQI Series, SQ Junior, and SQ Gemini.



Warranty

- ✓ 10-year pump housing
- ✓ 4-year motor and all other components



Specifications

MODEL NAME	OUTPUT HP	VOLTS	PHASE	INPUT WATTS	OUTPUT WATTS	FULL LOAD AMPS	FLOW RATE @ 8M/H	ENERGY STAR RATINGS
SQ PRO 750	1.0	240	Single	975	750	6.5	265 lpm	6
SQ PRO 1100	1.5	240	Single	1400	1100	9.65	345 lpm	6



Poolrite Manufacturing ABN

For all sales enquiries, email:
orders@poolrite.com.au
 For Technical support, call: 1300 368 300

Want to learn more about our product range?

Visit poolrite.com.au

