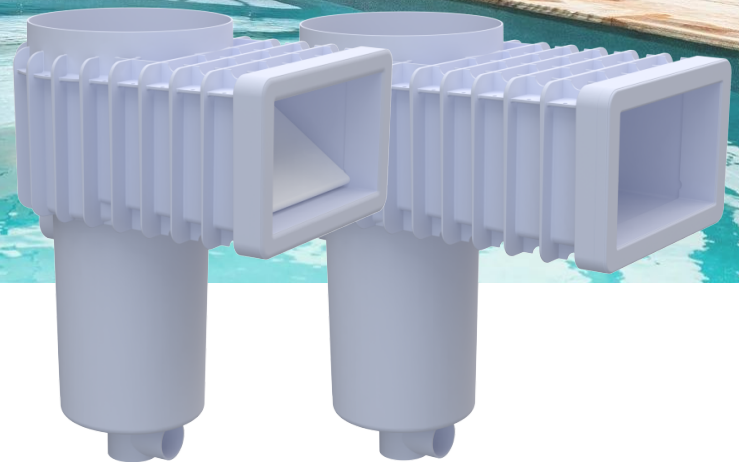




InnoSkim

# POOLRITE SKIMMER



## ROBUST, RELIABLE, REINFORCED

For pool builders aiming to deliver superior quality and reliability, the InnoSkim is the ultimate skimmer solution, offering unmatched durability and easy installation. It's designed to meet the highest professional standards, ensuring longevity and top performance in every project. Beyond mere maintenance, it guarantees seamless integration and reliability, all backed by a robust 10-year warranty. For those who value quality and convenience, InnoSkim is the clear choice.



### Robust single body design

The industry-leading strength of its one-piece construction provides the confidence that it will not fail during or after installation, ensuring client satisfaction.



### Oversized Basket

Including an oversized skimmer basket for maintenance ease, a soft close weir door for operational longevity, and provisions for waterflow and auto levelling for a perfect fit.



### Standard and Extended

With standard and extended throat models, and additional features like the skimmer box extension ring, it's designed to meet the specific needs of any installation.



### Easy Installation

Engineered to accommodate all pool types – concrete, vinyl, and fiberglass – with versatile design options that simplify the installation process.



### Durability Engineered

Constructed from a field-tested, engineering-grade polymer, it's designed to resist the elements and wear, ensuring it lasts as long as the pools it serves.

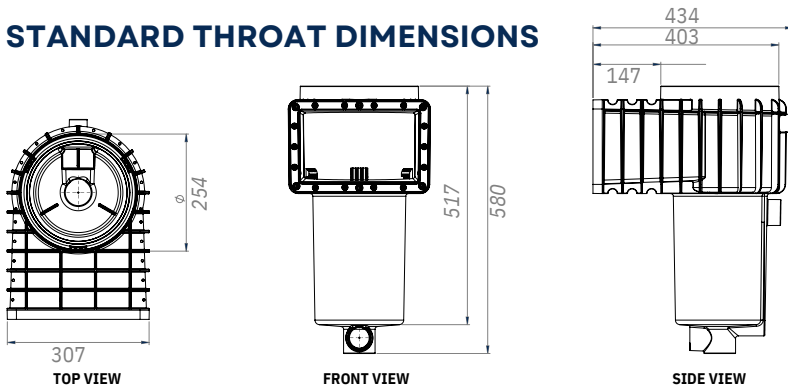


### 10-Year Warranty

Demonstrating our commitment to reliability and quality, offering peace of mind to both builders and their clients over the long term.

# Product Overview

## STANDARD THROAT DIMENSIONS

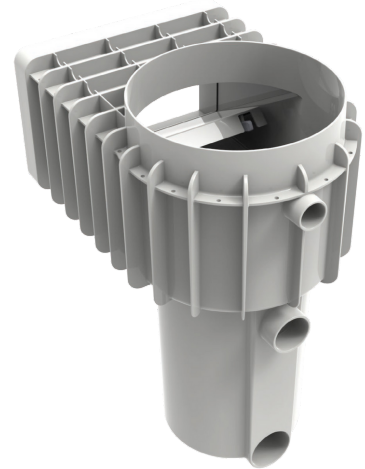


## The Perfect Fit

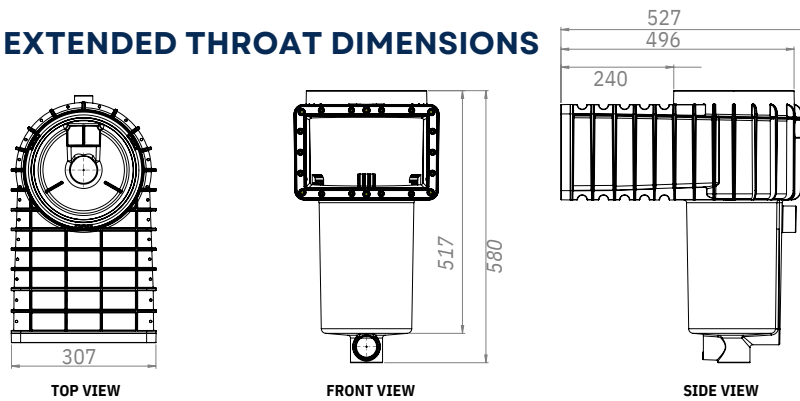
The InnoSkim offers a complete solution, compatible with concrete, fibreglass, and vinyl pools, meeting Australian Standards AS1926.3-2010.

Featuring 50mm suction ports and a main drain port for efficient debris removal, complemented by a soft close weir door for improved operation. It offers flexibility with standard and extended throat and an optional extension ring to get that perfect fit.

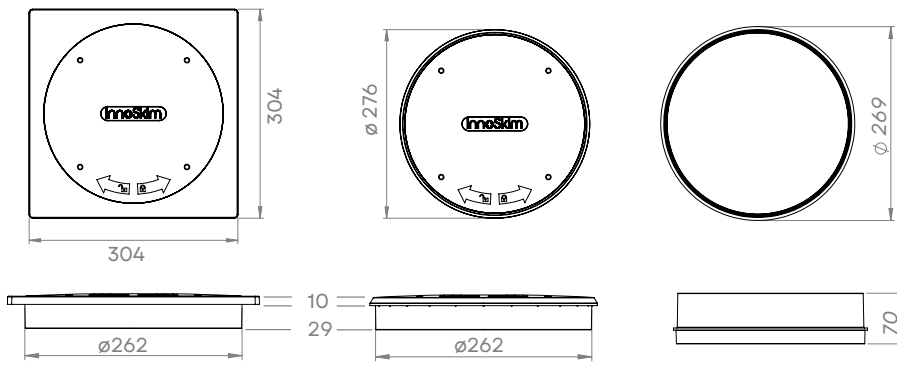
It includes provisions for overflow and auto-levelling, streamlining pool maintenance, and ensuring consistent water levels, making it a compact yet comprehensive solution for pool upkeep.



## EXTENDED THROAT DIMENSIONS



## DRESS RING DIMENSIONS



## SKIMMER CODES

PRODUCT TYPE	POOL TYPE	COLOUR	PRODUCT CODE
Standard Throat	Concrete	White	11090100
Standard Throat	Concrete	Grey	11090102
Standard Throat	Fibreglass	White	11090113
Standard Throat	Fibreglass	Grey	11090115
Extended Throat	Concrete	White	11090101
Extended Throat	Fibreglass	White	11090114

## EXTRAS CODES

PRODUCT TYPE	COLOUR	PRODUCT CODE
Square Deck Lid	White	11090053
Square Deck Lid	Grey	11090052
Square Deck Lid	Beige	11090051
Round Deck Lid	White	11090050
Round Deck Lid	Grey	11090049
Round Deck Lid	Beige	11090048
Extension Ring	White	23010640



Poolrite Manufacturing ABN

For all sales enquiries, email:  
[orders@poolrite.com.au](mailto:orders@poolrite.com.au)  
 For Technical support, call: 1300 368 300

Want to learn more about  
 our product range?

Visit [poolrite.com.au](http://poolrite.com.au)

