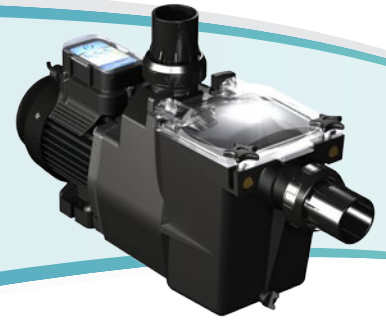




Gemini SQ Twin™

quick start guide



INSTALLATION

► Location

- The pump can be installed up to 12m from the pool or spa and up to 1m above or below the water surface level.
- The pump should be installed on a secure and level concrete (or similar) base at least 600mm x 300mm in size, in a location that cannot be flooded by storm water or accidental immersion.
- The rear of the motor should be no closer than 150mm from a wall, fence or barrier to allow adequate air flow.
- The pump is weatherproof. However if installed in an enclosure, the enclosure must have inlet and outlet ventilation with each opening at least 200mm² as close as practically possible to the pump motor.

► Water Connection

- Suction and Discharge Ports are provided with Union Adaptors for quick connection to PVC pipes and should be sealed with ABS + PVC compatible gluing agent.
- The Suction Port is to be connected to the pool's skimmer box or suction outlet from the pool. For best performance a straight length of 450mm long pipe should be connected prior to the Suction Port.
- The Discharge Port is to be connected to the Inlet Port of the Filter Valve.
- When connecting the pump below the pool surface level, ensure that Shut-off Valves are fitted to the Suction & Discharge Ports.

DO NOT USE EXTENSION LEADS OR POWERBOARDS TO RUN POOL EQUIPMENT AS THEY ARE UNSAFE AROUND THE POOL ZONE.

START UP

► Priming the Pump

- Before starting your pump for the first time, ensure the pump is primed by checking that the hair and lint pot is full of water and there is sufficient water supply in the suction line.
- Connect the pump to the power supply and switch onto **HIGH SPEED** using **MODE** button.
- If flow is not established within approx one (1) minute, switch the pump to **STANDBY** using the **MODE** button and repeat the above steps to prime the pump.

DO NOT ALLOW THE PUMP TO RUN DRY AS THIS MAY CAUSE DAMAGE TO THE IMPELLOR AND MECHANICAL SEAL, VOIDING WARRANTY. THE OPERATING TEMPERATURE RANGE FOR THE PUMP IS BETWEEN 5-40°C.

Any water ingress will not be covered by warranted.

MODE / CONTROL



MODE button on the pump, allows you to switch the pump to **STANDBY (STOP)**, **LOW** or **HIGH** speed mode.



LOW Speed is the recommended normal operating mode for skimming, pool filtration and sanitation, with significantly lower energy consumption and operating costs.



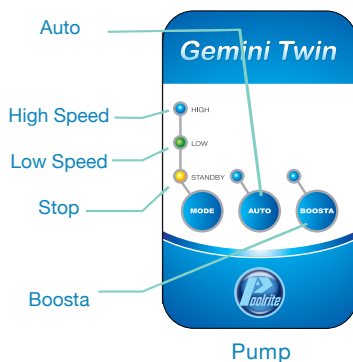
HIGH Speed is the recommended mode for Filter Backwashing and the operation of all Pool Cleaners or any additional equipment requiring significant water flow.



AUTO MODE will alternate between **HIGH** speed and **LOW** speed each time the pump is turned on. This patented feature is best used with a chlorinator's timer to sync in with filtration and cleaning cycles.



BOOSTA MODE immediately runs the pump on **HIGH** speed for 30 minutes (no matter what the pump is doing) for rapid cleaning prior to or after swimming. Following the 30 minute **HIGH** speed operation the pump will revert to its previous operating state.



The pump always starts in high speed to ensure pump priming. When low speed is selected pump will start in high speed for 2 minutes.

INDICATOR LIGHTS.

A solid light shows the current mode of operation, a flashing light indicates the mode the pump is changing to.

SAFE USE AND CARE

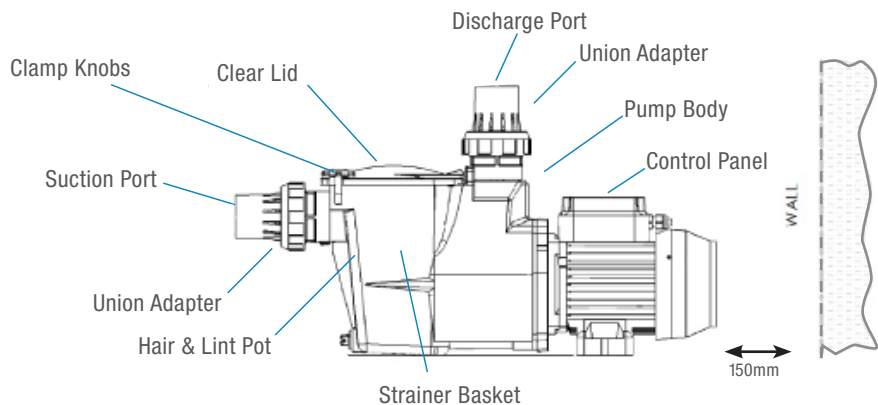
WARNING!

The Pump Motor is an electrical device and as such should not be disassembled or serviced by anyone other than an authorised Poolrite Service Technician or qualified Electrical Service Company.

This appliance is not intended for use by young children or infirm persons unless they have been adequately supervised by a responsible person to ensure that they can use the appliance safely.

Young children should be supervised to ensure that they do not play with the appliance. If the supply cord is damaged, it must be replaced by an Authorized Poolrite Service Technician in order to avoid a hazard.

Any other problems that cannot be corrected by routine maintenance should be attended to by an approved service agent.



Pump Speed	Max Total Head
Low	4.8m
High	18.2m



Warranty

UP TO 10 YEARS ON PUMP HOUSING,
3 YEARS ON MOTOR, 2 YEARS ON
INTERNALS AND 1 YEAR ON ELECTRONICS*

For full warranty terms and conditions,
register your Warranty Online

*Terms and conditions apply, please visit www.poolrite.com/pages/warranty for more information.



Scan QR code to register
your Warranty Online



Poolrite is an Australian made and owned. P +61 7 3803 6222

See the full range of products at

poolrite.com

