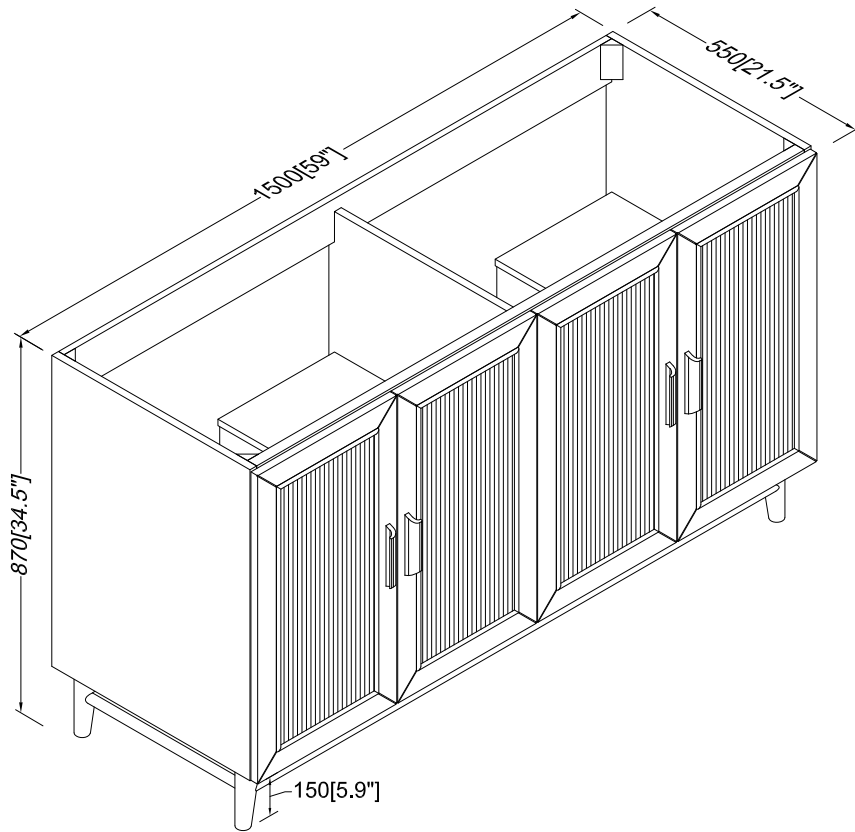
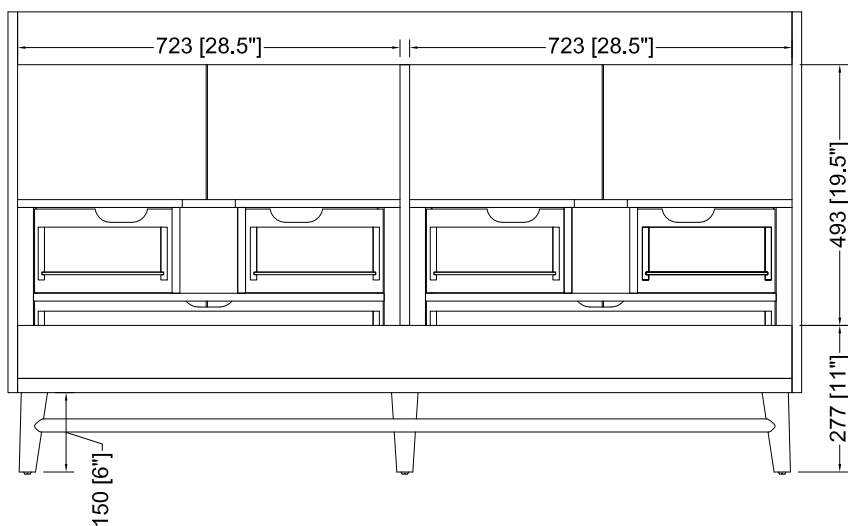
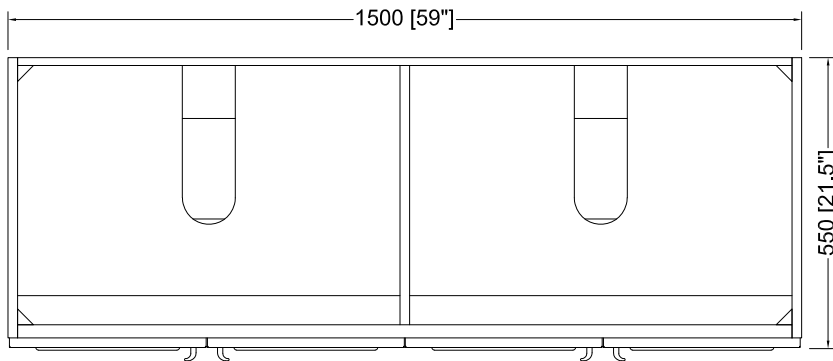


Sunflower-60D-AO

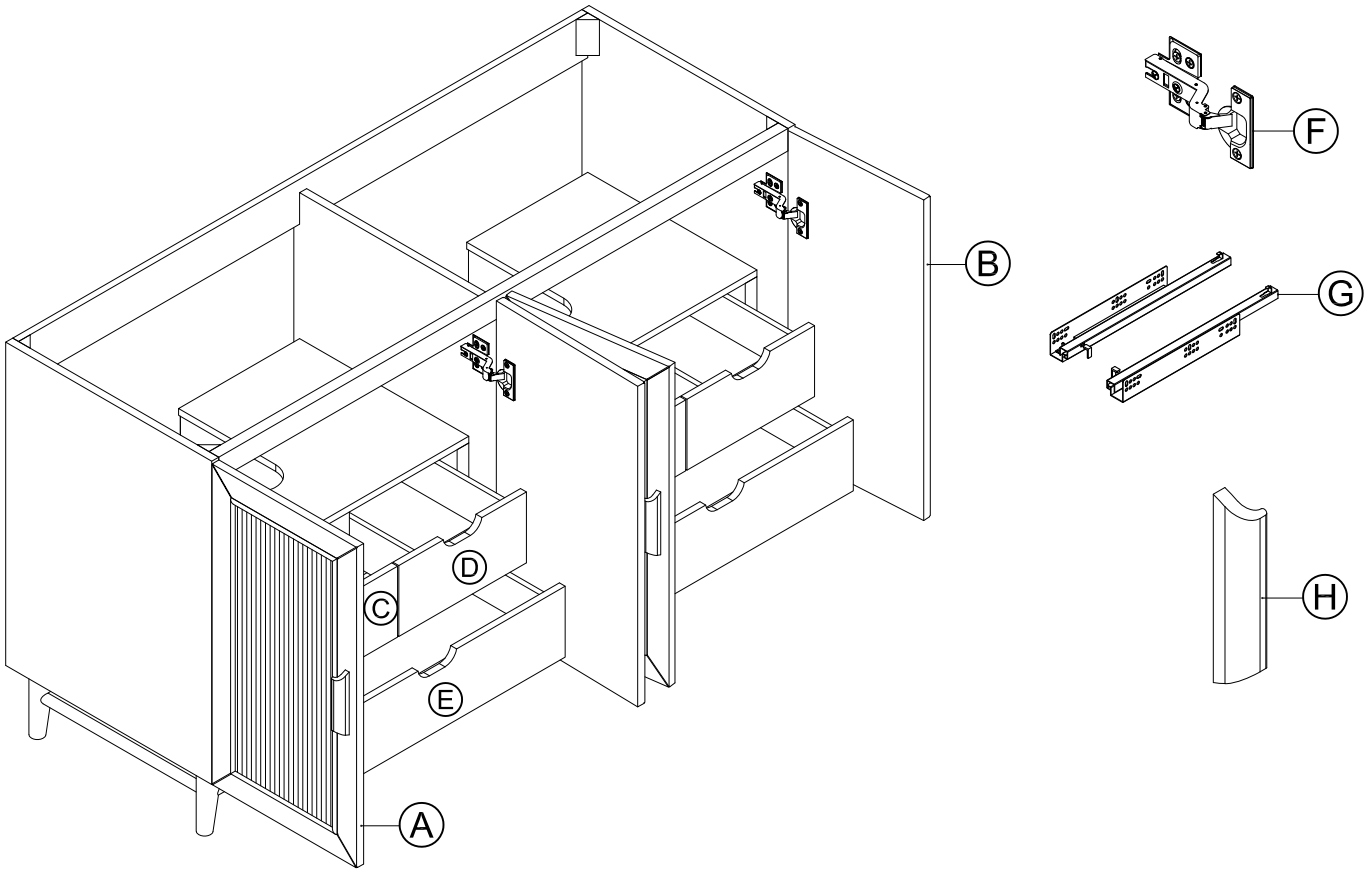


Measures: millimeter [inch]

DIMENSIONS



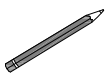
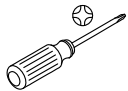


PART LIST



PART#	DESCRIPTION	QUANTITY
A	Door(left)	2
B	Door(right)	2
C	Drawer 1	2
D	Drawer 2	2
E	Drawer 3	2
F	Hinge(door)	8
G	Drawer glides	6
H	Handle(door)	4

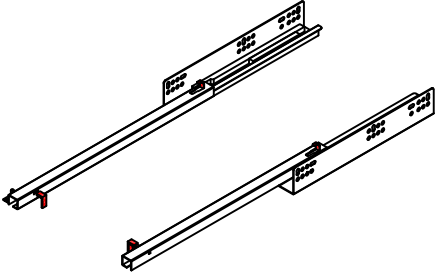
TOOLS REQUIRED (not supplied)

Measuring Tape 	Drill 	Pencil 	Screw Driver 
---	--	---	---

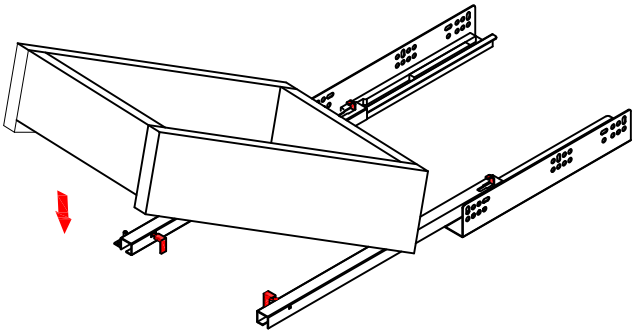
Adjust Slider For Drawer

INSTALL

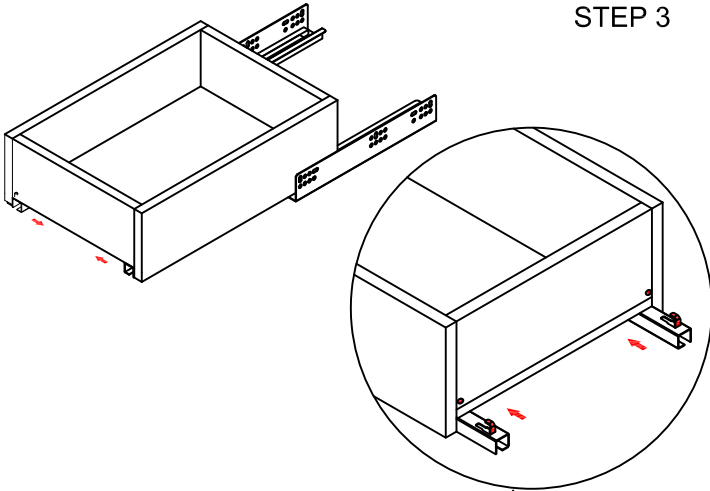
STEP 1



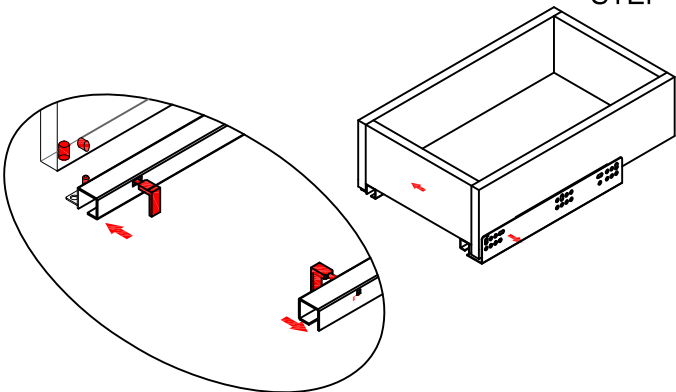
STEP 2



STEP 3

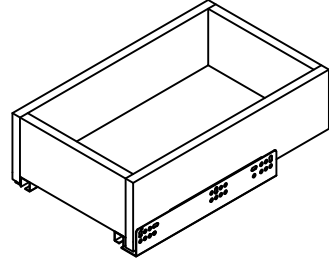


STEP 4

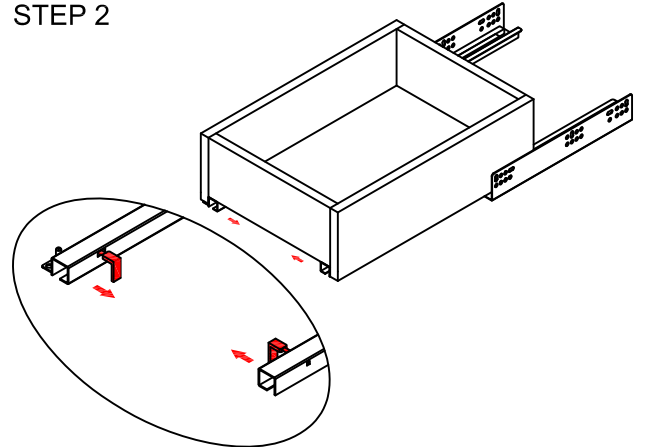


REMOVE

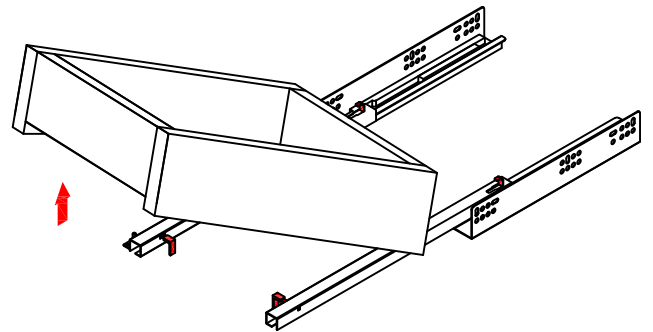
STEP 1



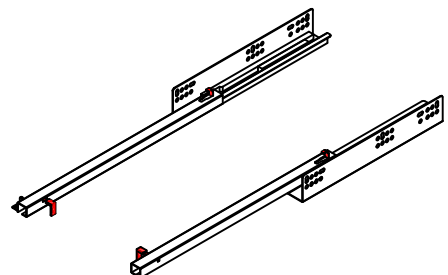
STEP 2



STEP 3

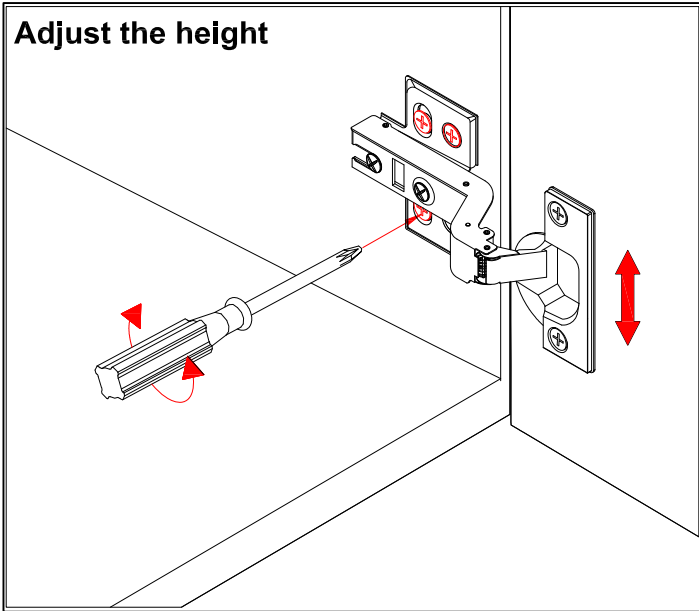


STEP 4

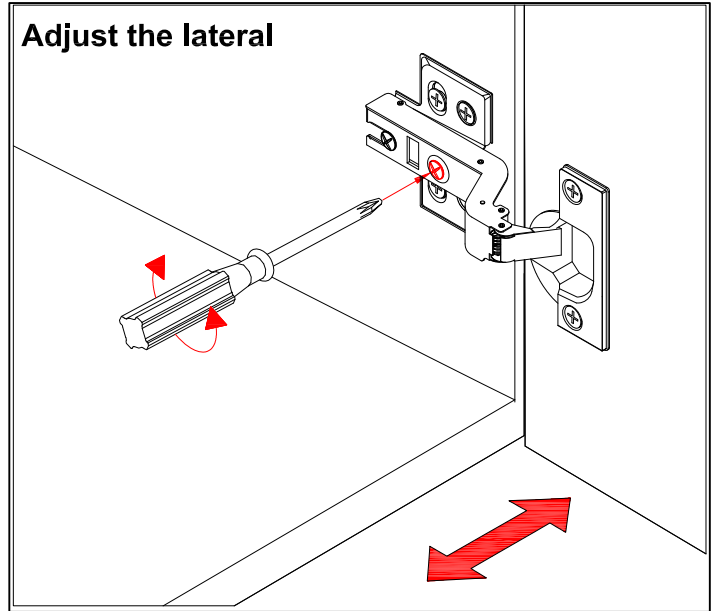


INSTALLATION AND ADJUSTION OF HINGE

Adjust the height



Adjust the lateral



Adjust the deep

